

Fluorescent Surface Ceiling Light

FL-WS-U



Protection degree IP66 / IP67

Materials

- Body : Stainless steel 316 sheet deep drawn
- Globe : Clear polycarbonate
- Latch : Stainless steel 316

Finish

- Body : White epoxy powder coat and stove enamelled (Munsell No. N-9.3)

Equipment

- Lamp holder : G13 (G5)
- Light sources : T26 (T16)
- Fluorescent lamp : 18 W / 36 W (14 W / 28 W)
- 2~4 cable glands M24 (Diameter : Max. 17 mm cable)

Electrical

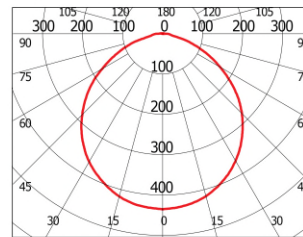
- AC 220~240 V, 50/60 Hz
- Ballast : Electronic

Option

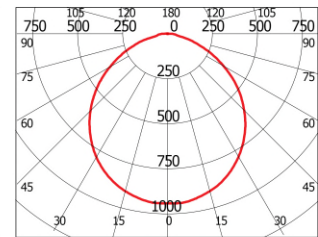
- AC 100~277 V, 50/60 Hz
- Emergency DC Lamp
- Battery back-up
- Anti-vibration packing

Light Distribution Curve

FL220WS



FL240WS



— : 0°

Specification

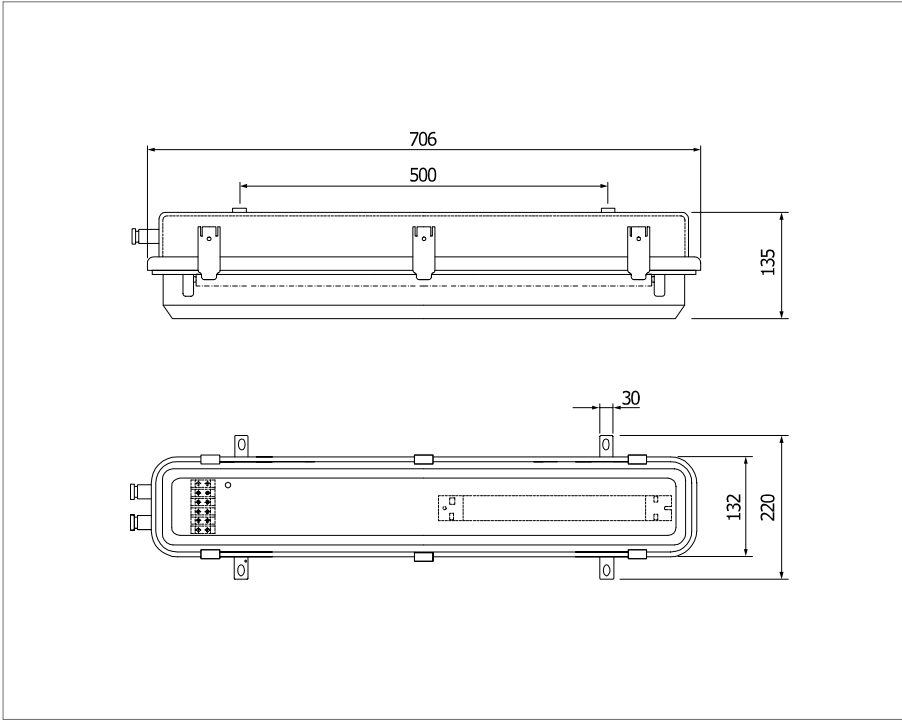
Model No.	Capacity	L(mm)	W(mm)	W1(mm)	H(mm)	Weight(kg)	Remarks
FL120WS-EIUWNM	18 W X 1	706	220	132	135	4.75	G13
FL140WS-EIUWNM	36 W X 1	1312	220	132	135	7.1	G13
FL214WS-EIUWNM	14 W X 2	706	220	132	135	5.18	G5
FL220WS-EIUWNM	18 W X 2	706	220	132	135	5.18	G13
FL228WS-EIUWNM	28 W X 2	1312	220	132	135	7.7	G5
FL240WS-EIUWNM	36 W X 2	1312	220	132	135	7.7	G13



Option -----

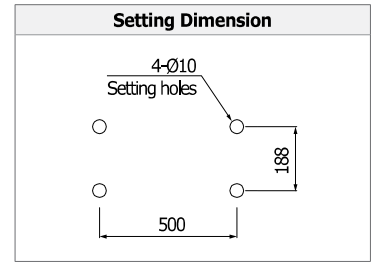
FL220WS-EIUWNM

Technical Drawing



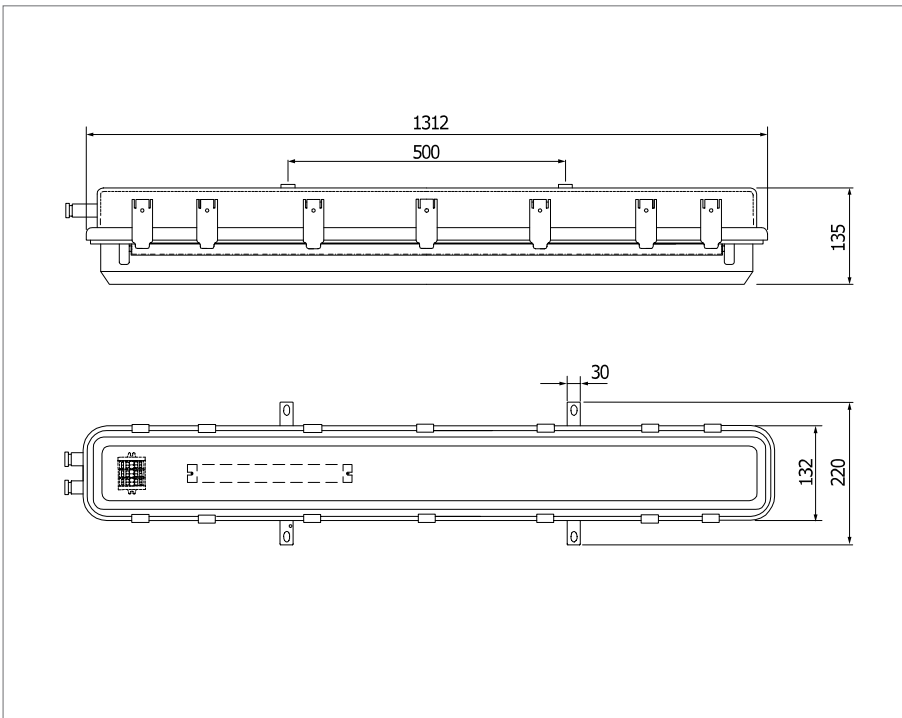
Part List

No	Part Name	Part Number
1	Globe	64606940
2	Lamp (14 W)	22030158
	Lamp (18 W)	22030008
3	Lamp Holder (G5)	15100058
	Lamp Holder (G13)	15100054
4	Ballast (14 W / 28 W)	22410133
	Ballast (18 W / 36 W)	22410125



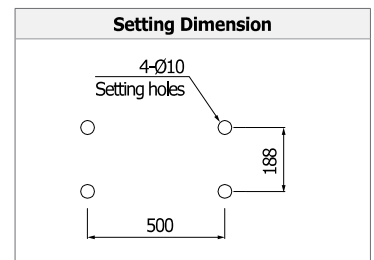
FL240WS-EIUWNM

Technical Drawing



Part List

No	Part Name	Part Number
1	Globe	64606940
2	Lamp (28 W)	22030159
	Lamp (36 W)	22030009
3	Lamp Holder (G5)	15100058
	Lamp Holder (G13)	15100054
4	Ballast (14 W / 28 W)	22410133
	Ballast (18 W / 36 W)	22410125



Fluorescent Surface Ceiling Light

FL-WS-U-P



Protection degree IP66 / IP67

Materials

- Body : Stainless steel 316 sheet deep drawn
- Globe : Clear polycarbonate
- Latch : Stainless steel 316
- Pipe clamp : Stainless steel 316

Finish

- Body : White epoxy powder coat and stove enamelled (Munsell No. N-9.3)

Equipment

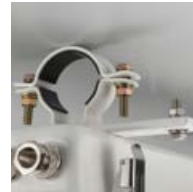
- Fluorescent lamp : 18 W / 36 W (14 W / 28 W)
- Light sources : T26 (T16)
- Lamp holder : G13 (G5)
- Four cable glands M24 (Diameter : 9 mm~17 mm)
- 40A pipe available

Electrical

- AC 220~240 V, 50/60 Hz
- Ballast : Electronic

Option

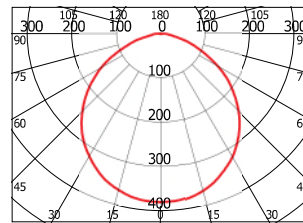
- AC 100~277 V, 50/60 Hz
- Emergency DC Lamp
- Battery back-up
- 50A pipe available



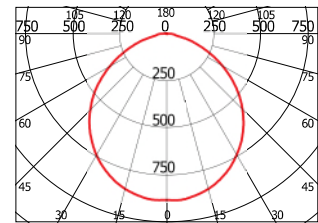
Pipe Clamping (40A)

Light Distribution Curve

FL220WS-U-P



FL240WS-U-P



— : 0°

Specification

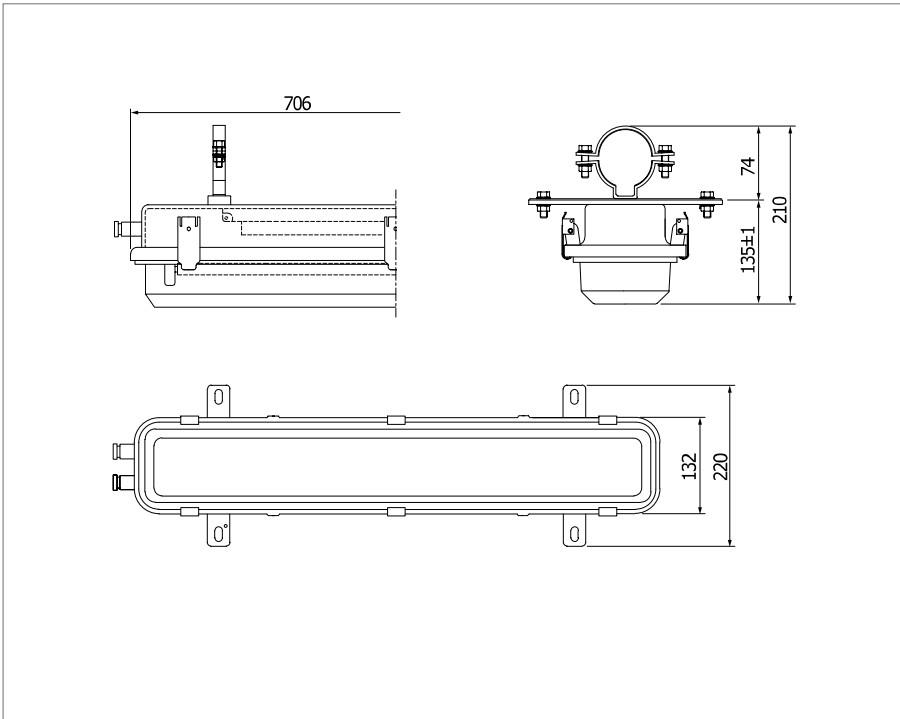
Model No.	Capacity	L(mm)	W(mm)	W1(mm)	H(mm)	Weight(kg)	Remarks
FL120WS-EIUWNM-P	18 W X 1	706	220	132	210	5.75	G13
FL140WS-EIUWNM-P	36 W X 1	1312	220	132	210	8.1	G13
FL214WS-EIUWNM-P	14 W X 2	706	220	132	210	6.18	G5
FL220WS-EIUWNM-P	18 W X 2	706	220	132	210	6.18	G13
FL228WS-EIUWNM-P	28 W X 2	1312	220	132	210	8.7	G5
FL240WS-EIUWNM-P	36 W X 2	1312	220	132	210	8.7	G13

Option -----



FL220WS-EIUWNM2W-P

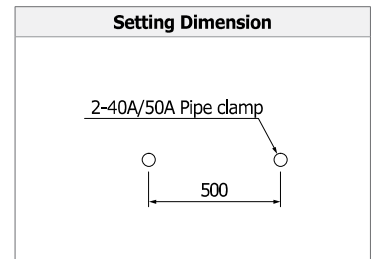
Technical Drawing



Part List

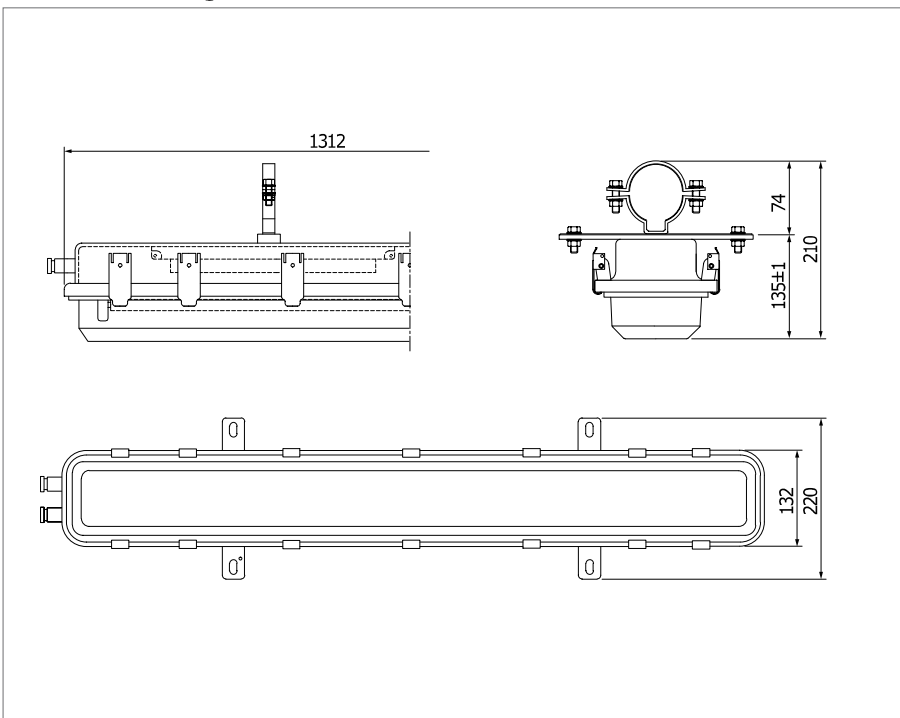
No	Part Name	Part Number
1	Globe	64606940
2	Lamp (14 W)	22030158
	Lamp (18 W)	22030008
3	Lamp Holder (G5)	15100058
	Lamp Holder (G13)	15100054
4	Ballast (14 W / 28 W)	22410133
	Ballast (18 W / 36 W)	22410125

Setting Dimension



FL240WS-EIUWNM2W-P

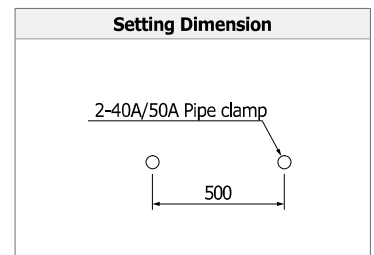
Technical Drawing



Part List

No	Part Name	Part Number
1	Globe	64606940
2	Lamp (28 W)	22030159
	Lamp (36 W)	22030009
3	Lamp Holder (G5)	15100058
	Lamp Holder (G13)	15100054
4	Ballast (14 W / 28 W)	22410133
	Ballast (18 W / 36 W)	22410125

Setting Dimension



Fluorescent Surface Ceiling Light

FL-WS-U-VB



Protection degree IP66 / IP67

Materials

- Body : Stainless steel 316 sheet deep drawn
- Globe : Clear polycarbonate
- Latch : Stainless steel 316

Finish

- Body : White epoxy powder coat and stove enamelled (Munsell No. N-9.3)

Equipment

- Lamp holder : G13 (Water and dust proof)
- Light sources : T26
- Fluorescent lamp : 18 W / 36 W
- 2~4 cable glands M24 (Diameter : Max. 17 mm cable)
- Breathing Gland : M12

Electrical

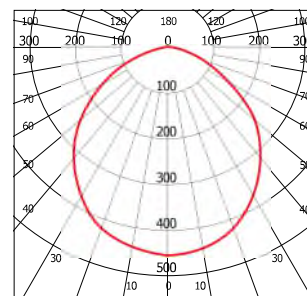
- AC 220~240 V, 50/60 Hz
- Ballast : Electronic

Option

- AC 100~277 V, 50/60 Hz
- Anti-vibration packing

Light Distribution Curve [cd]

FL220WS-VB



— : 0°

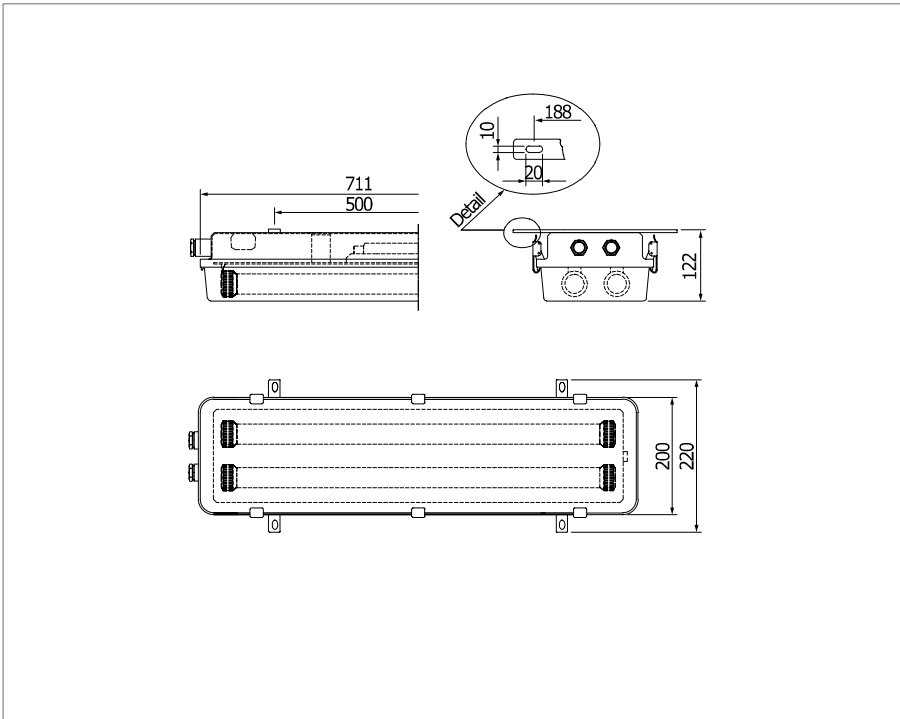
Specification

Model No.	Capacity	L(mm)	W(mm)	H(mm)	Weight(kg)	Remarks
FL220WS-EIUW-VB	18 W X 2	711	220	122	8,45	
FL240WS-EIUW-VB	36 W X 2	1320	220	122	10,45	



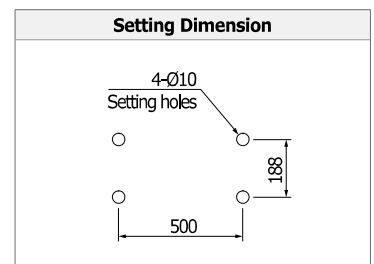
FL220WS-EIUW-VB

Technical Drawing



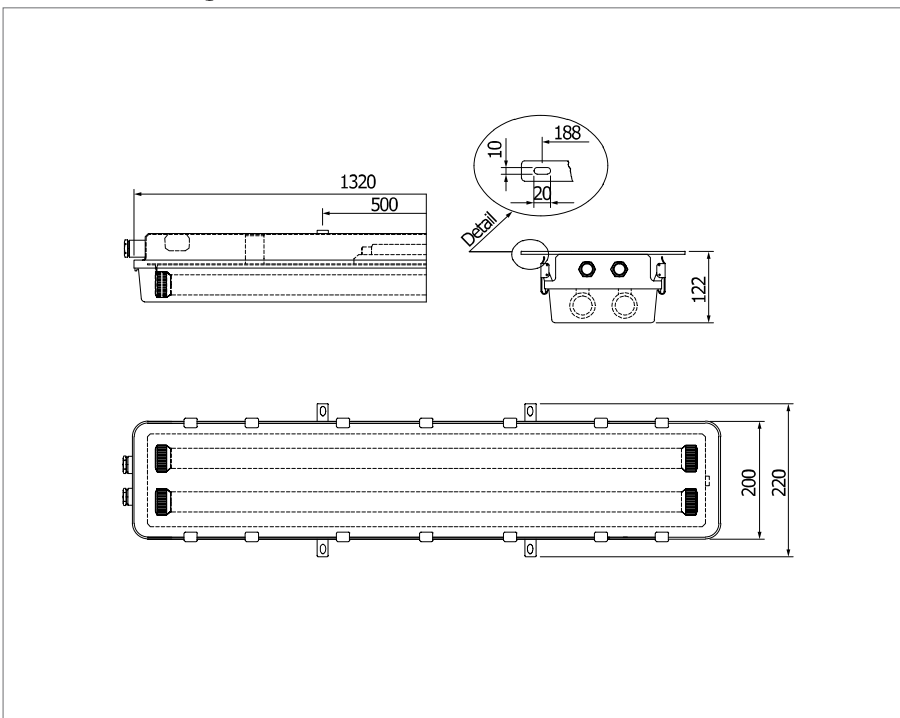
Part List

No	Part Name	Part Number
1	Globe	64607150
2	Lamp (18 W)	22030008
3	Lamp Holder	15100085
4	Ballast	22410125
5	Breathing Gland	22380487



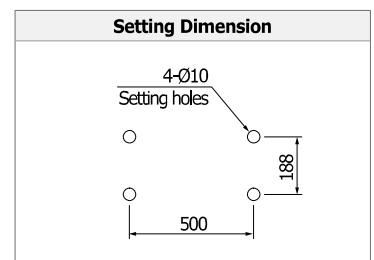
FL240WS-EIUW-VB

Technical Drawing



Part List

No	Part Name	Part Number
1	Globe	64607151
2	Lamp (36 W)	22030009
3	Lamp Holder	15100085
4	Ballast	22410125
5	Breathing Gland	22380487



Fluorescent Surface Ceiling Light

FL-WS-PC



Protection degree IP66 / IP67

Materials

- Body : Polycarbonate
- Mounting bracket : Stainless steel 316
- Reflector : Electro zinc coated steel sheet
- Globe : Clear polycarbonate

Finish

- Body : White epoxy powder coat and stove enamelled (Munsell No. N-9,3)

Equipment

- Fluorescent lamp : 18 W / 36 W
- Lamp holder : G13
- Light sources : T26
- Two cable glands M24 (Diameter : Max. 17 mm cable)

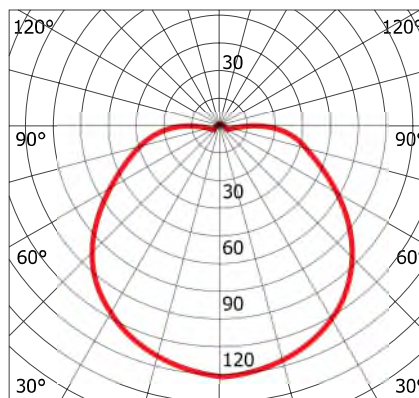
Electrical

- AC 220~240 V, 50/60 Hz
- Ballast : Electronic

Option

- AC 100~277 V, 50/60 Hz

Light Distribution Curve



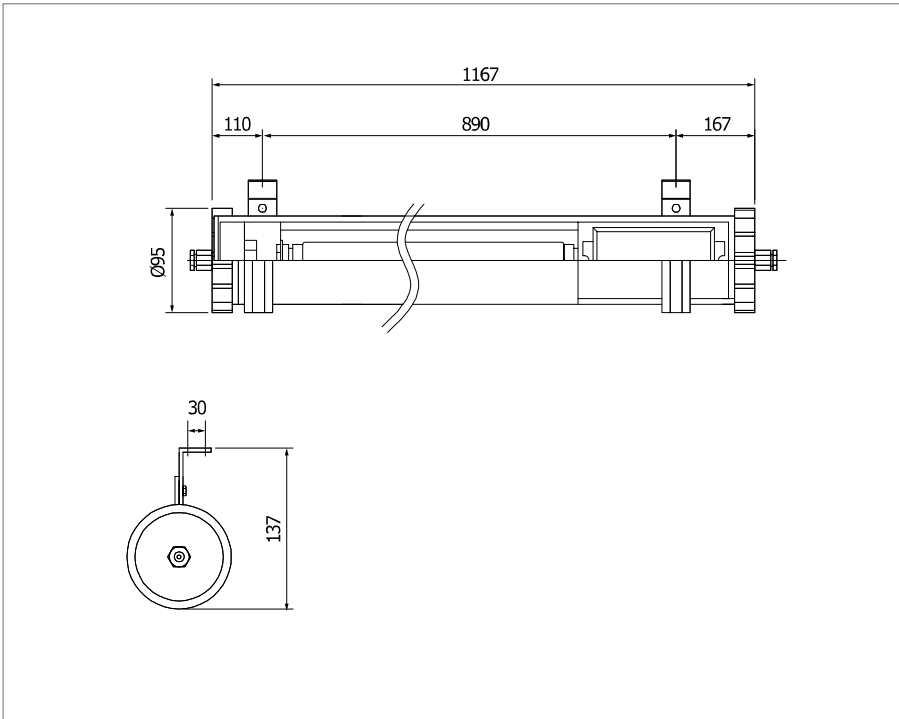
Specification

Model No.	Capacity	L(mm)	W(mm)	H(mm)	Weight(kg)	Remarks
FL120WS-EIPC	18 W	1167	95	137	1.6	-
FL140WS-EIPC	36 W	1774	95	137	3.7	-



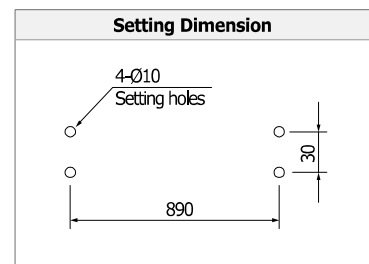
FL120WS-EIPC

Technical Drawing



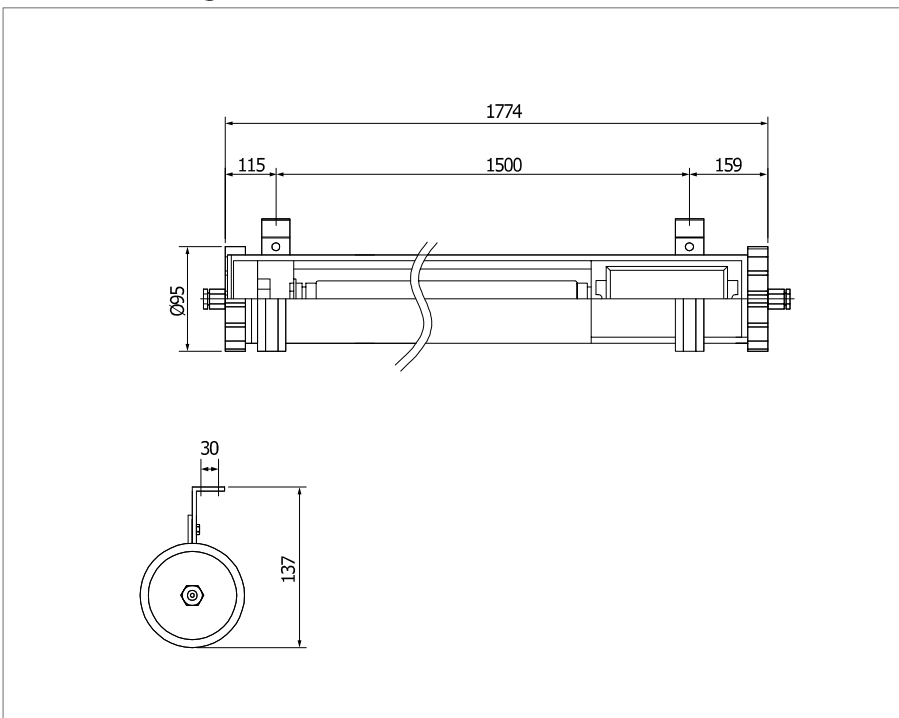
Part List

No	Part Name	Part Number
1	Lamp	22030008
2	Lamp Holder	15100054
3	Electric Ballast	22410124
4	Connector	36410121



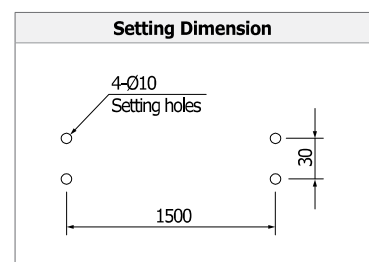
FL140WS-EIPC

Technical Drawing



Part List

No	Part Name	Part Number
1	Lamp	22030009
2	Lamp Holder	15100054
3	Electric Ballast	22410124
4	Connector	36410121



Compact Fluorescent Pendant Light

FP-P / FP-B



FP11-PSCG

Protection degree IP56

Materials

- Body : PBT(Poly Butylene Terephthalate) / brass
- Guard : Clear polycarbonate / cast brass
- Globe : Clear polycarbonate (20 W)
/ Clear glass (11W)
- Stainless steel screen can be installed additionally

Finish

- Body : Light green color (Munsell No. 7.5BG 7/2)
/ Brass (natural)

Equipment

- Compact fluorescent lamp : 11 W / 20 W
- Lamp holder : TE26/27
- Two cable glands 20a~c (Diameter : Max. 16 mm cable)

Electrical

- AC 220~240 V, 50/60 Hz

Option

- AC 100~110 V, 50/60 Hz
- Anti-vibration packing
- Red guard

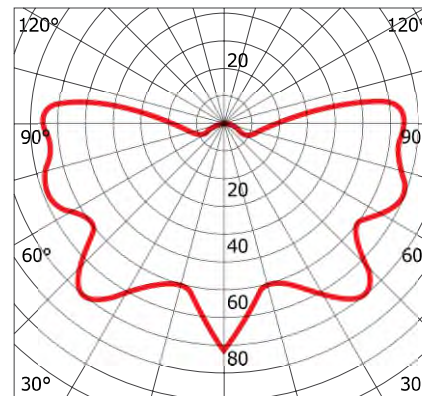


FP11-BNCG



FP11-PSCS

Light Distribution Curve



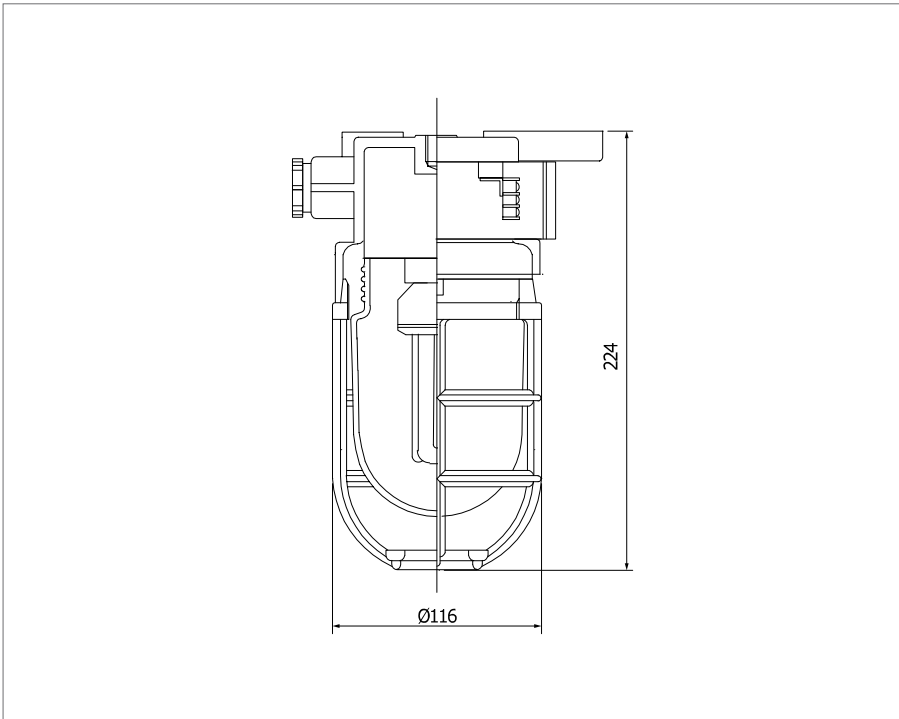
Specification

Model No.	Capacity	L(mm)	W(mm)	H(mm)	Weight(kg)	Remarks
FP11-PSCG	11 W	140	116	224	1.46	-
FP20-PSCG	20 W	140	116	267	1.66	-
FP11-PSCS	11 W	140	130	246	1.86	W/Screen
FP11-BNCG	11 W	140	107	209	2.04	-
FP11-BNCS	11 W	140	130	246	2.44	W/Screen



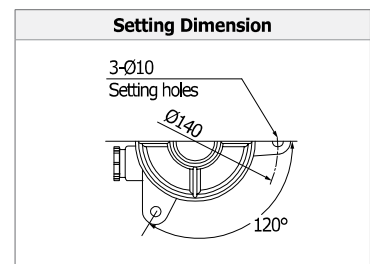
FP11-PSCG(PBT)

Technical Drawing



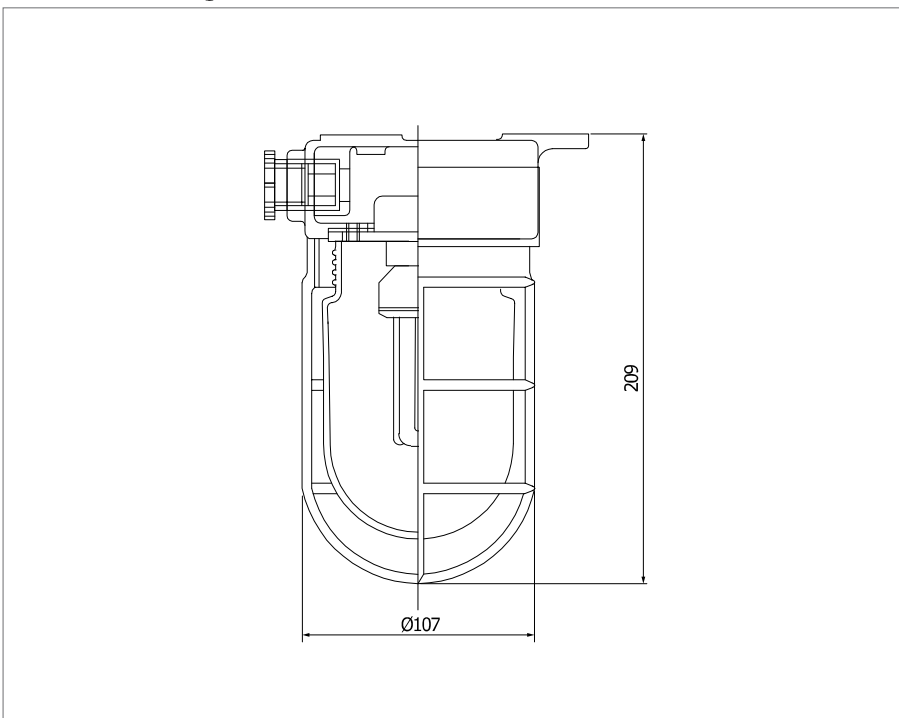
Part List

No	Part Name	Part Number
1	Body	64600036
2	Lamp (11 W)	22050025
	Lamp (20 W)	22050129
3	Lamp Holder	15100016
4	Globe	64620001
5	Guard	64600035



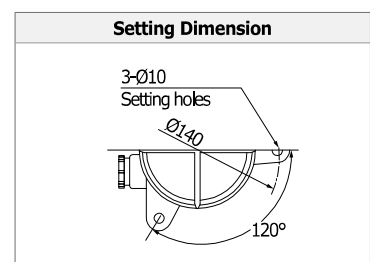
FP11-BNCG(BRASS)

Technical Drawing



Part List

No	Part Name	Part Number
1	Body	56160008
2	Lamp (11 W)	22050025
	Lamp (20 W)	22050129
3	Lamp Holder	15100056
4	Globe	64620001
5	Guard	56160110



Compact Fluorescent Bracket Light

FB-P / FB-B

Protection degree IP56

Materials

- Body : PBT(Poly Butylene Terephthalate) / brass
- Guard : Clear polycarbonate / cast brass
- Globe : Clear polycarbonate (20 W)
/ Clear glass (11W)
- Stainless steel screen can be installed additionally

Finish

- Body : Light green color (Munsell No. 7.5BG 7/2)
/ Brass (natural)

Equipment

- Compact fluorescent lamp : 11 W / 20 W
- Lamp holder : TE26/27
- Two cable glands 20a~c (Diameter : Max. 16mm cable)

Electrical

- AC 220~240 V, 50/60 Hz

Option

- AC 100~110 V, 50/60 Hz
- Red guard

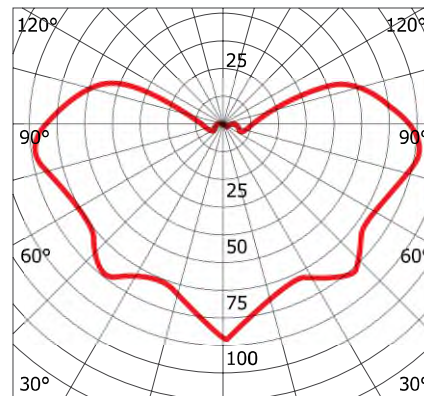


FB11-PSCG



FB11-BNCG

Light Distribution Curve



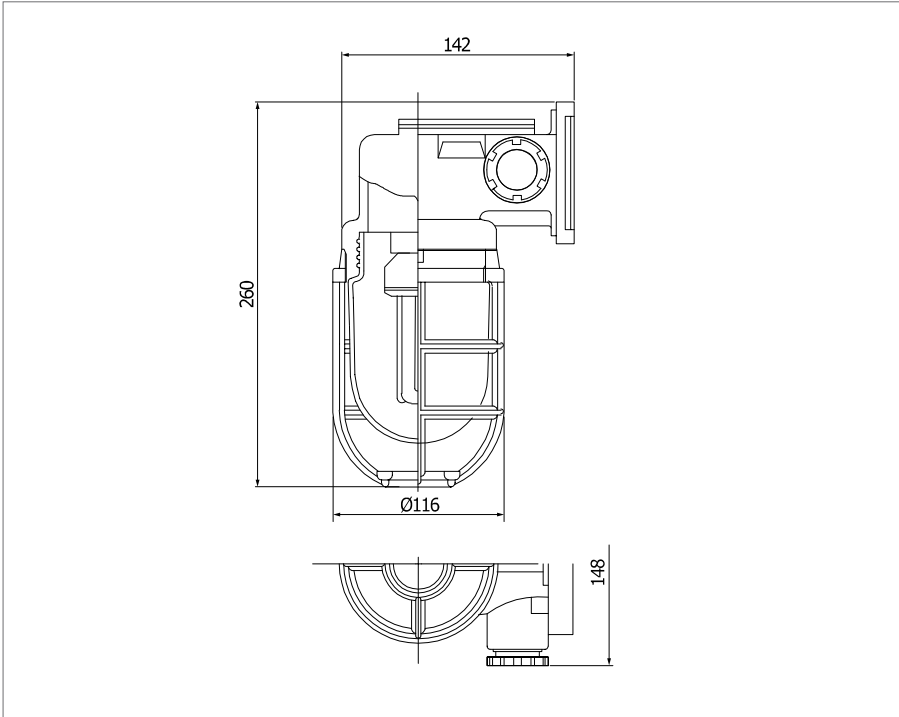
Specification

Model No.	Capacity	L(mm)	W(mm)	H(mm)	Weight(kg)	Remarks
FB11-PSCG	11 W	142	116	260	1,14	-
FB20-PSCG	20 W	142	116	303	1,34	-
FB11-PSCS	11 W	142	130	260	1,44	W/Screen
FB11-BNCG	11 W	156	107	212	2,15	-
FB11-BNCS	11 W	156	130	245	2,45	W/Screen



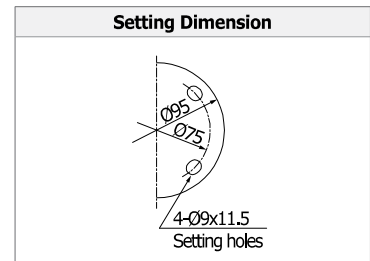
FB11-PSCG(PBT)

Technical Drawing



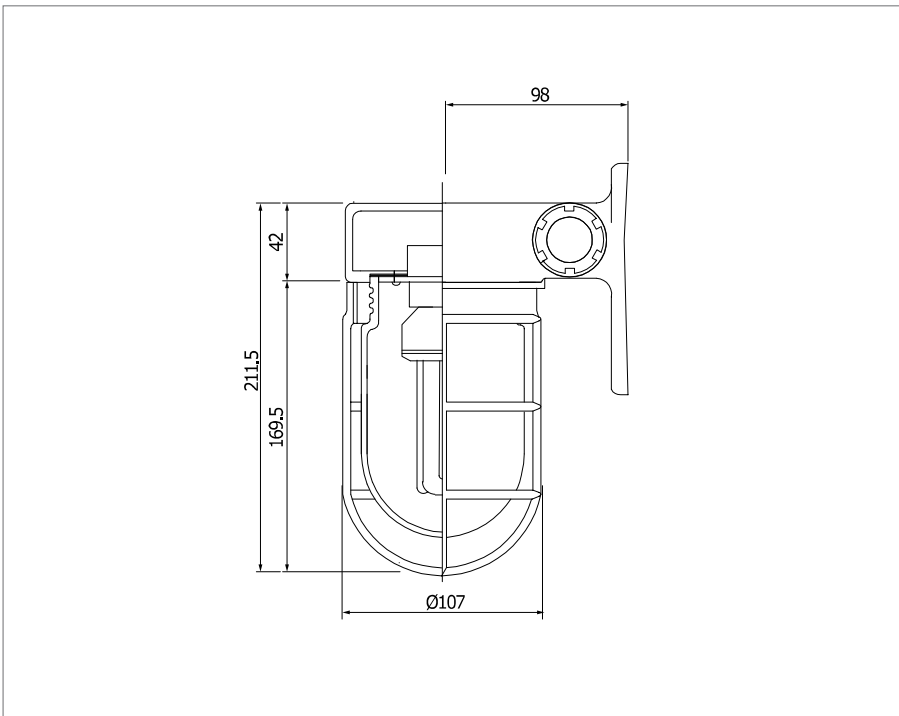
Part List

No	Part Name	Part Number
1	Body	64600031
2	Lamp (11 W)	22050025
	Lamp (20 W)	22050129
3	Lamp Holder	15100056
4	Globe	64620001
5	Guard	64600035



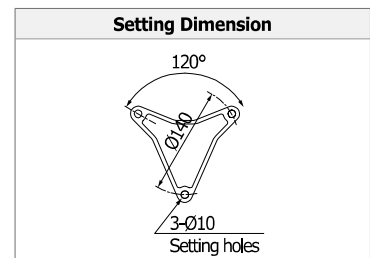
FB11-BNCG(BRASS)

Technical Drawing



Part List

No	Part Name	Part Number
1	Body	C400000160
2	Lamp (11 W)	22050025
	Lamp (20 W)	22050129
3	Lamp Holder	15100056
4	Globe	64620001
5	Guard	56160110



Compact Fluorescent Bulkhead Light

FK-P / FK-B

Protection degree IP56

Materials

- Body : PBT(Poly Butylene Terephthalate) / brass
- Guard : Clear polycarbonate / cast brass
- Globe : Clear polycarbonate (20 W)
/ Clear glass (11W)
- Stainless steel screen can be installed additionally

Finish

- Body : Light green color (Munsell No. 7.5BG 7/2)
/ Brass (natural)

Equipment

- Compact fluorescent lamp : 11 W / 20 W
- Lamp holder : TE26/27

Electrical

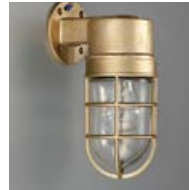
- AC 220~240 V, 50/60 Hz

Option

- AC 100~110 V, 50/60 Hz
- Red guard

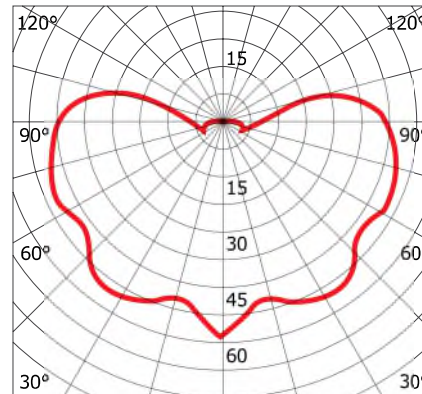


FK11-PS



FK11-BN

Light Distribution Curve



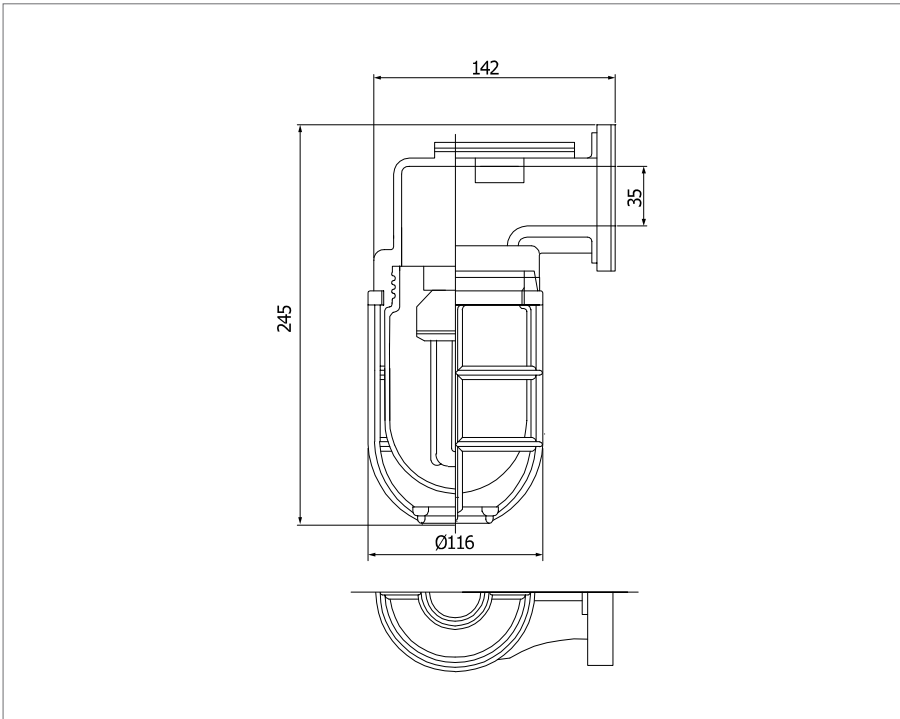
Specification

Model No.	Capacity	L(mm)	W(mm)	H(mm)	Weight(kg)	Remarks
FK11-PS	11 W	142	116	245	1,14	-
FK20-PS	20 W	142	116	302	1,34	-
FK11-PSS	11 W	142	130	284,5	1,44	W/Screen
FK11-BN	11 W	148,5	107	245	2,15	-
FK11-BNS	11 W	155	130	248,5	2,45	W/Screen



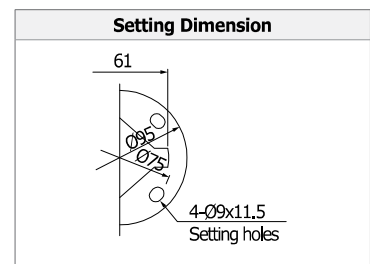
FK-P(PBT)

Technical Drawing



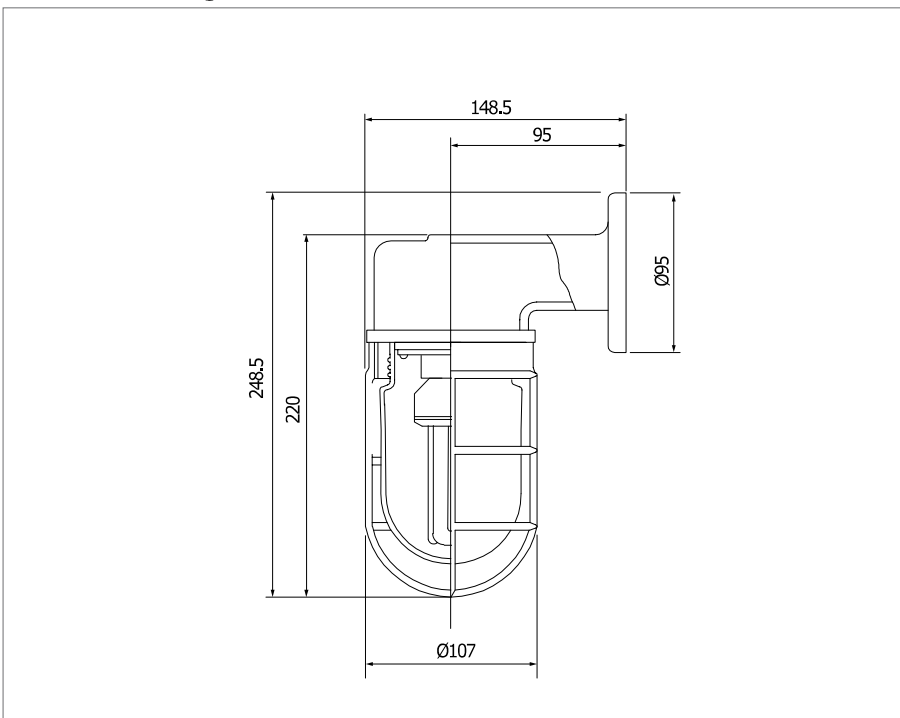
Part List

No	Part Name	Part Number
1	Lamp (11 W)	22050025
	Lamp (20 W)	22050129
2	Lamp Holder	15100056
3	Globe	64596750
4	Guard	64600035



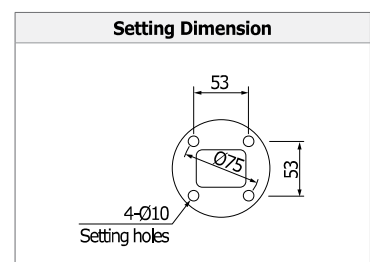
FK-B(BRASS)

Technical Drawing



Part List

No	Part Name	Part Number
1	Lamp (11 W)	22050025
	Lamp (20 W)	22050129
2	Lamp Holder	15100056
3	Globe	64620001
4	Guard	56160110



Compact Fluorescent Hinged Pendant Light

FPH



Protection degree IP56

Materials

- Body : PBT(Poly Butylene Terephthalate)
- Guard : Clear polycarbonate / cast brass
- Globe : Clear polycarbonate (20 W)
/ Clear glass (11W)
- Stainless steel screen can be installed additionally

Finish

- Body : Light green color (Munsell No. 7.5BG 7/2)

Equipment

- Compact fluorescent lamp : 11 W / 20 W
- Lamp holder : TE26/27
- Two cable glands M24 (Diameter : Max. 17 mm cable)

Electrical

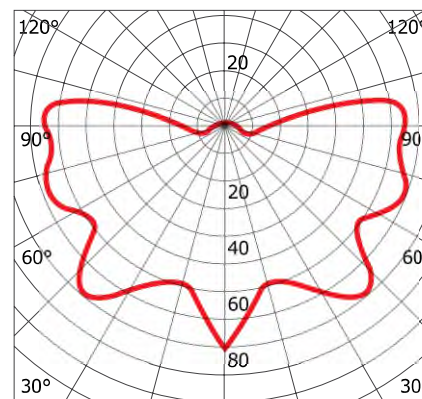
- AC 220~240 V, 50/60 Hz

Option

- AC 100~110 V, 50/60 Hz
- Anti-vibration packing
- Red guard

Light Distribution Curve

FPH11



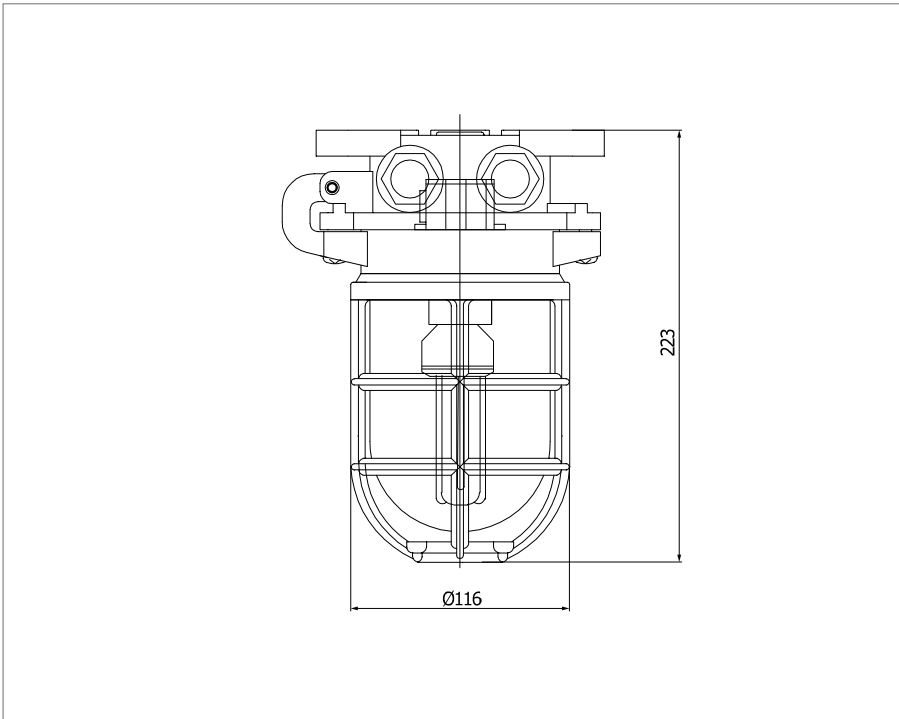
Specification

Model No.	Capacity	L(mm)	W(mm)	H(mm)	Weight(kg)	Remarks
FPH11-PSCG	11 W	157	116	223	1.5	
FPH11-PSCGS	11 W	157	116	223	1.8	W/Screen
FPH20-PSCG	20 W	157	116	276	1.7	
FPH20-PSCGS	20 W	157	116	276	2.0	W/Screen



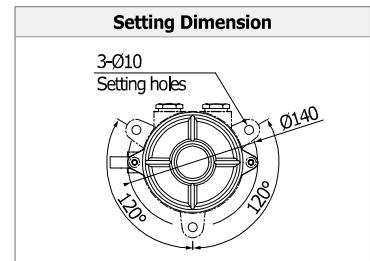
FPH11-P(PBT)

Technical Drawing



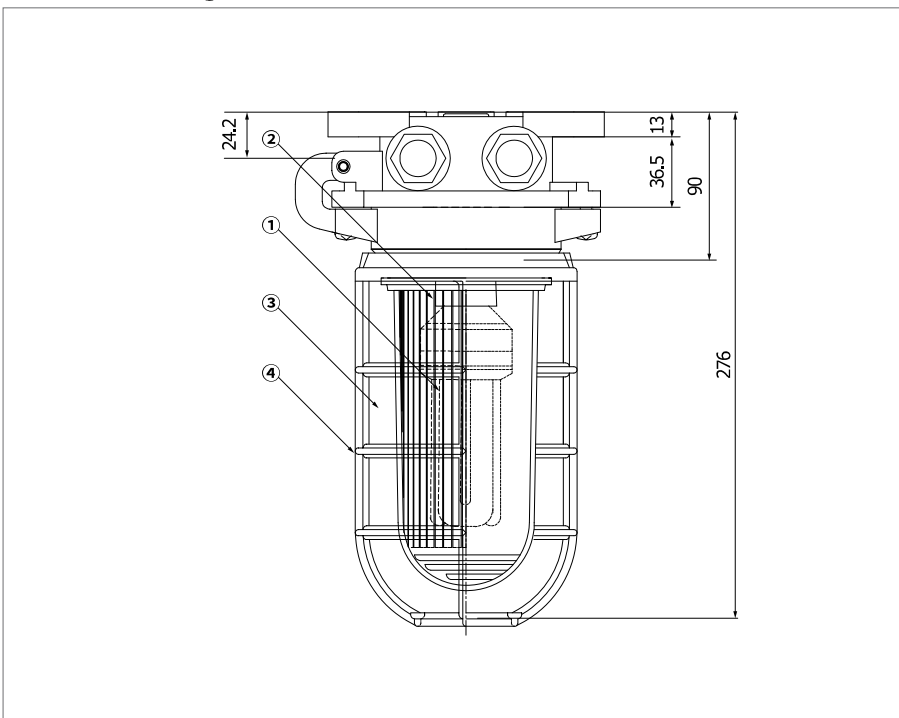
Part List

No	Part Name	Part Number
1	Lamp (11 W)	22050025
2	Lamp Holder	15100056
3	Globe	64620001
4	Guard	64600035



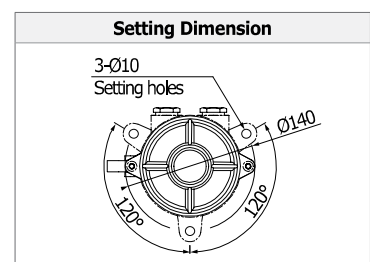
FPH20-P(PBT)

Technical Drawing



Part List

No	Part Name	Part Number
1	Lamp (20 W)	22050129
2	Lamp Holder	15100056
3	Globe	64607002
4	Guard	64600973



Incandescent Pendant Light

IP-24B



Protection degree IP56

Materials

- Body : Brass
- Guard : Brass
- Globe : Clear glass

Finish

- Body : Natural

Equipment

- Incandescent lamp : 10 W / 20 W
- Lamp holder : B15
- Two cable glands M24 (Diameter : Max. 17 mm cable)

Electrical

- DC 24 V

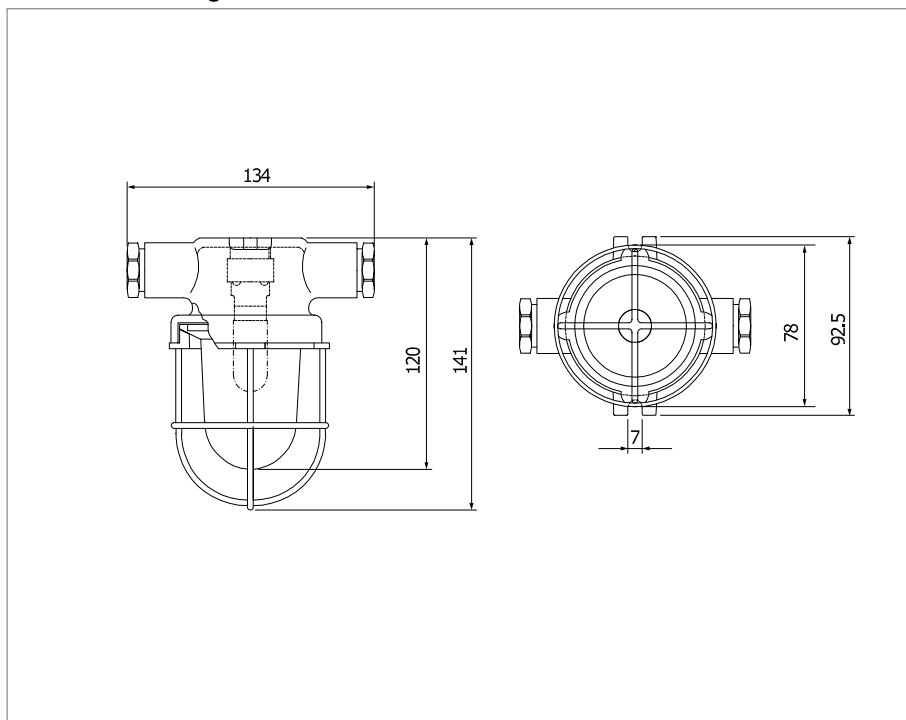
Specification

Model No.	Capacity	L(mm)	W(mm)	H(mm)	Weight(kg)	Remarks
IP10-24BNEG	10 W	134	92.5	141	1.6	
IP20-24BNEG	20 W	134	92.5	141	1.6	



IP10-24BNEG

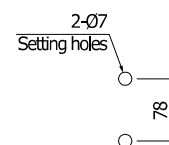
Technical Drawing



Part List

No	Part Name	Part Number
1	Lamp (10 W)	22010041
	Lamp (20 W)	22012202
2	Lamp Holder	Z2225-S1
3	Globe	64620048

Setting Dimension



Incandescent Bracket Light

IB-24B



Protection degree IP56

Materials

- Body : Brass
- Guard : Brass
- Globe : Clear glass

Finish

- Body : Natural

Equipment

- Incandescent lamp : 10 W / 20 W
- Lamp holder : B15
- Two cable glands 20a~c (Diameter : Max. 16 mm cable)

Electrical

- DC 24 V

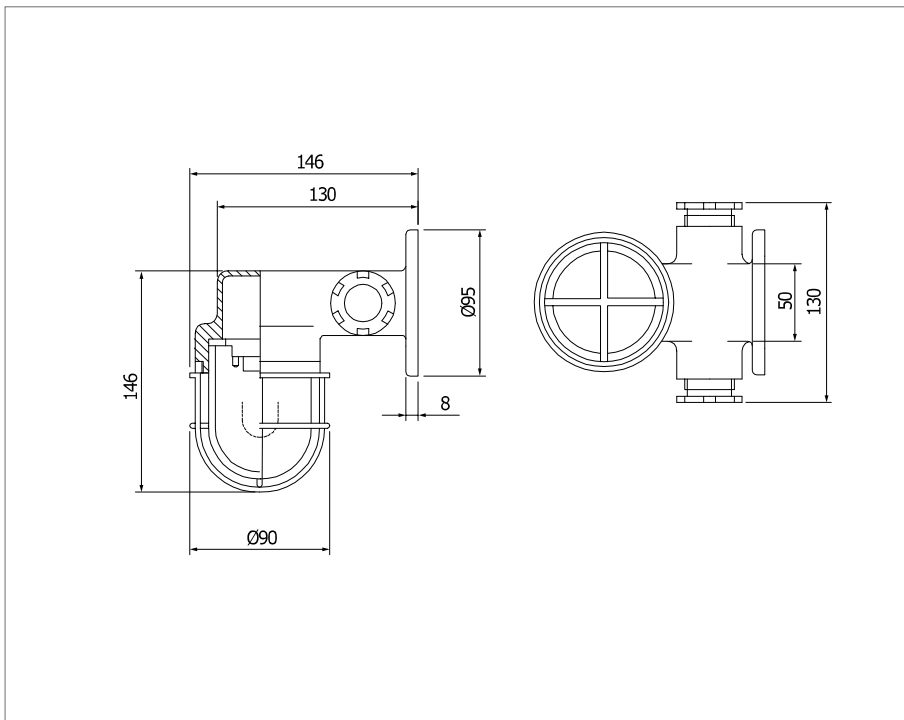
Specification

Model No.	Capacity	L(mm)	W(mm)	H(mm)	Weight(kg)	Remarks
IB10-24BNEG	10 W	146	130	146	1.9	
IB20-24BNEG	20 W	146	130	146	1.9	



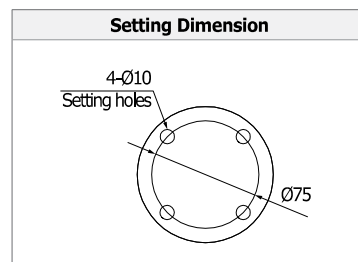
IB10-24BNEG

Technical Drawing



Part List

No	Part Name	Part Number
1	Lamp (10 W)	22010041
	Lamp (20 W)	22012202
2	Lamp Holder	Z2225-S1
3	Globe	64620028



Incandescent Bulkhead Light

IK-24B



Protection degree IP56

Materials

- Body : Brass
- Guard : Brass
- Globe : Clear glass

Finish

- Body : Natural

Equipment

- Incandescent lamp : 10 W / 20 W
- Lamp holder : B15

Electrical

- DC 24 V

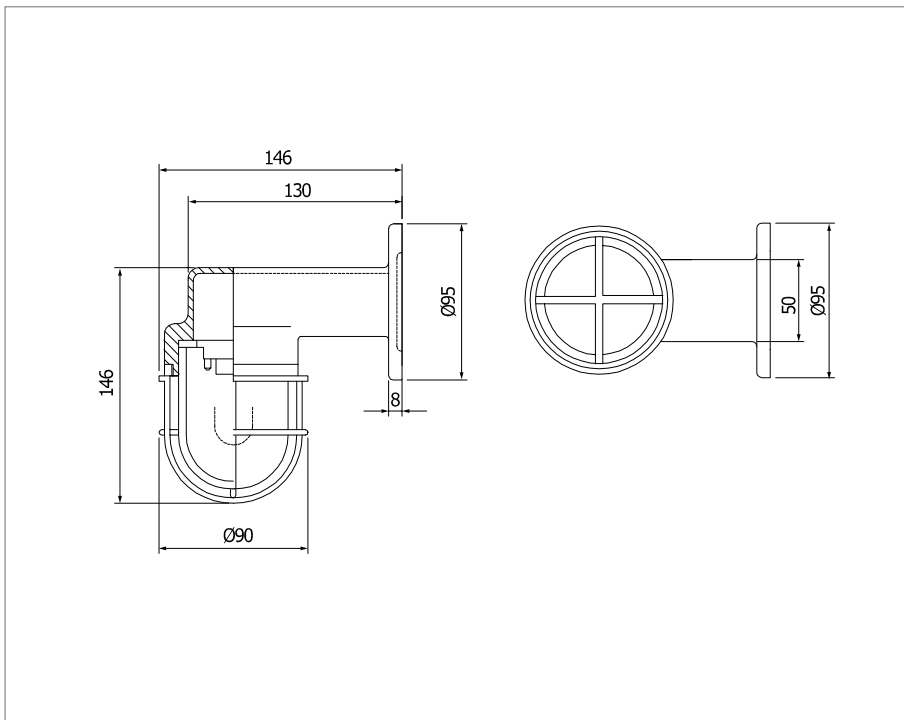
Specification

Model No.	Capacity	L(mm)	W(mm)	H(mm)	Weight(kg)	Remarks
IK10-24BN	10 W	146	95	146	1.8	
IK20-24BN	20 W	146	95	146	1.8	



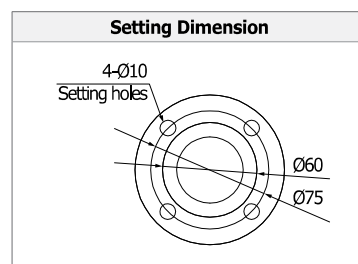
IK10-24BN

Technical Drawing



Part List

No	Part Name	Part Number
1	Lamp (10 W)	22010041
	Lamp (20 W)	22012202
2	Lamp Holder	Z2225-S1
3	Globe	64620028



Compact Fluorescent Portable Hand Lamp

FH



Protection degree IP56

Materials

- Body & Guard : Polycarbonate
- Globe : Clear polycarbonate (20 W)
/ Clear glass (11W / 15 W)

Finish

- Body : White

Equipment

- Compact fluorescent lamp : 11 W / 15 W / 20 W
- Lamp holder : TE26/27
- Cable : TPNP 1.5 mm 15 m cord & plug

Electrical

- AC 220~240 V, 50/60 Hz

Option

- AC 100~110 V, 50/60 Hz

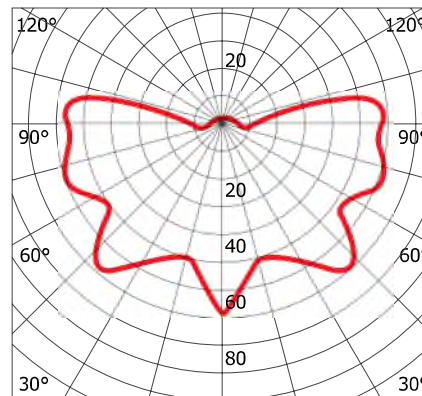


PG-W3PD(W.T)



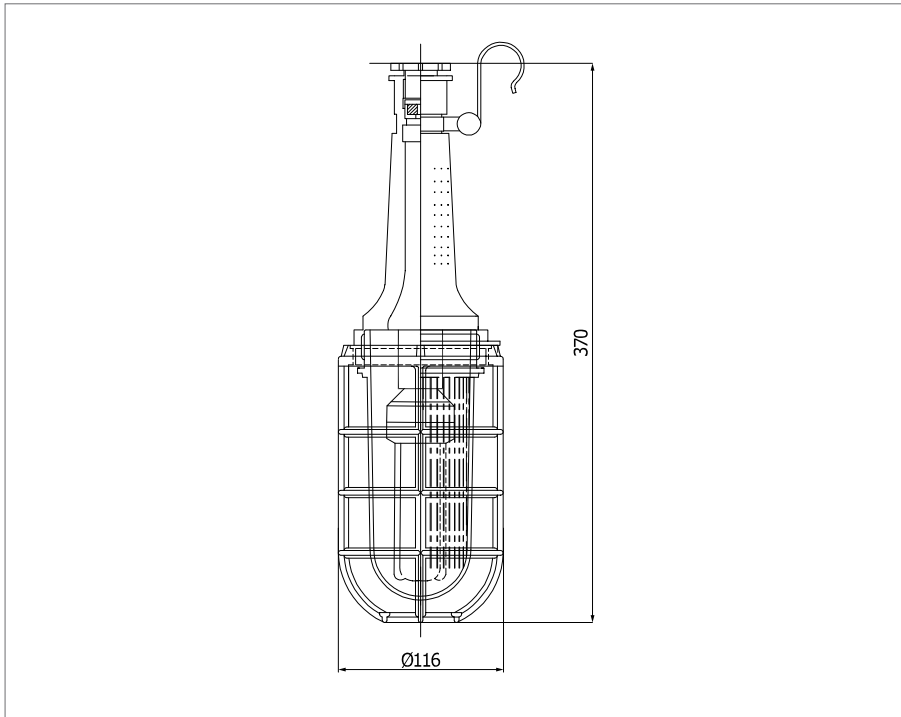
PG-N3PD(N.W.T)

Light Distribution Curve



Specification

Model No.	Capacity	L(mm)	W(mm)	H(mm)	Weight(kg)	Remarks
FH11-20PN	11 W	116	116	345	3.94	
FH15-20PN	15 W	116	116	370	3.96	
FH20-20PN	20 W	116	116	370	3.96	

**FH****Technical Drawing****Part List**

No	Part Name	Part Number
	Lamp (11 W)	22050025
1	Lamp (15 W)	22050047
	Lamp (20 W)	22050129
	Lamp Holder	15100056
2	Globe (11 W)	64620001
	Globe (15, 20 W)	64607002
3	Guard (11 W)	64600035
	Guard (15, 20 W)	64600973

Compact Fluorescent Flood Light

FL-213WS-U



Protection degree IP66 / IP67

Materials

- Body : Stainless steel 316 sheet deep drawn
- Front glass : Heat and impact resistant glass
- Reflector : Steel sheet
- Latch : Stainless steel 316

Finish

- Body : White epoxy powder coat and stove enamelled (Munsell No. N-9,3)

Equipment

- Fluorescent lamp : 13 W
- Lamp holder : GX24
- Two cable glands M24 (Diameter : Max. 17 mm cable)
- Vertical adjust (Up : 40°, Down : 80°)

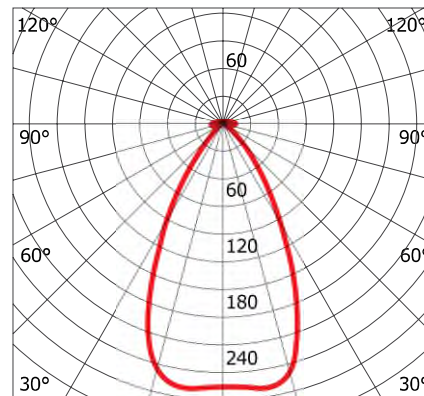
Electrical

- AC 220 V, 60 Hz
- Ballast : Rapid

Option

- AC 220 V, AC 230 V, 50/60 Hz
- Front guard
- Anti-vibration packing
- Breathing Gland

Light Distribution Curve



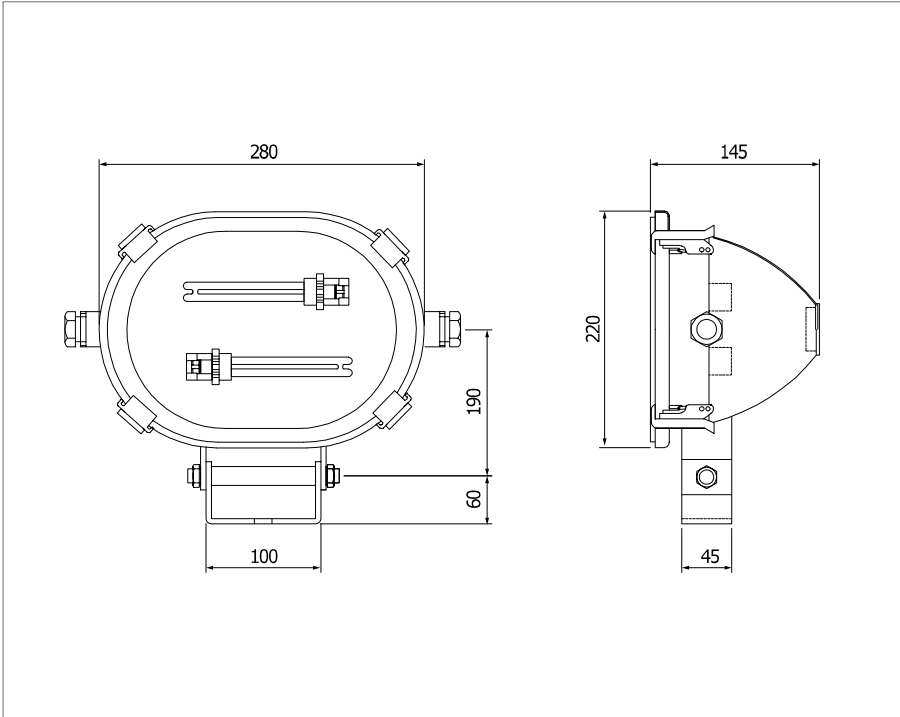
Specification

Model No.	Capacity	L(mm)	W(mm)	H(mm)	Weight(kg)	Remarks
FL213WS-206UWCF	13 W X 2	328	145	275	5,3	



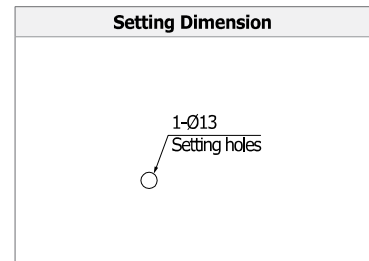
FL213WS-206UWCF

Technical Drawing



Part List

No	Part Name	Part Number
1	Front Glass	64400018
2	Lamp	22050014
3	Ballast	Z5315-S536
4	Terminal Block	18022520
5	Front Glass Packing	64590285



High Pressure Sodium Flood Light / Metal Halide Flood Light

PF-SI / PF-MHI



Protection degree IP66 / IP67

Materials

- Body : Stainless steel 316 sheet deep drawn
- Front glass : Heat and impact resistant glass
- Reflector : High reflectance aluminium
- Latch : Stainless steel 316

Finish

- Body : White epoxy powder coat and stove enamelled (Munsell No. N-9,3)

Equipment

- Sodium Lamp : 250 W / 400 W
- Metal Halide Lamp : 250 W / 400 W
- Lamp holder : E39/40
- Two cable glands M24 (Diameter : Max. 17 mm cable) With one blind plug
- Vertical adjust (Up : 40°, Down : 75°)
- Separate ballast
- Ignitor : Terminal box included

Electrical

- AC 100 V~240 V, 50/60 Hz

Option

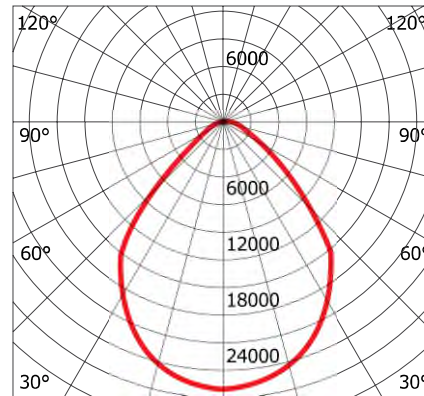
- Anti-vibration packing
- Breathing Gland

Luminous Flux

- 32,158 [lm]



Light Distribution Curve



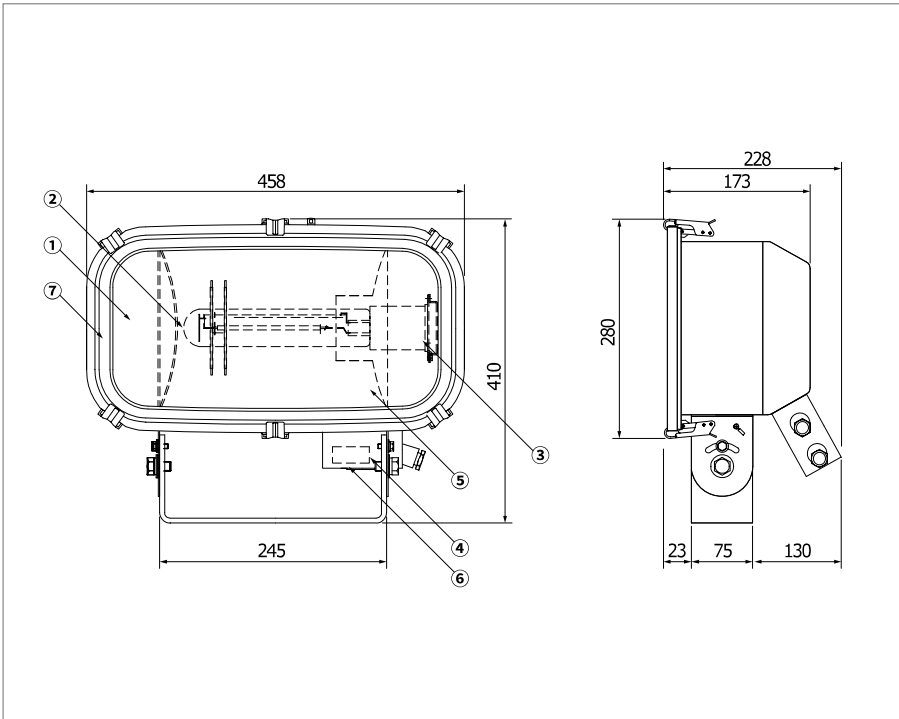
Specification

Model No.	Capacity	L(mm)	W(mm)	H(mm)	Weight(kg)	Remarks
PF25SI-UWCN	250 W	458	228	410	10	Sodium, Narrow beam
PF40SI-UWCN	400 W	458	228	410	10	Sodium, Narrow beam
PF25MHI-UWCN	250 W	458	228	410	10	Metal Halide, Narrow beam
PF40MHI-UWCN	400 W	458	228	410	10	Metal Halide, Narrow beam
PF25SI-UWCW	250 W	458	228	410	10	Sodium, Wide beam
PF40SI-UWCW	400 W	458	228	410	10	Sodium, Wide beam
PF25MHI-UWCW	250 W	458	228	410	10	Metal Halide, Wide beam
PF40MHI-UWCW	400 W	458	228	410	10	Metal Halide, Wide beam



PF-40SI / PF-40MHI

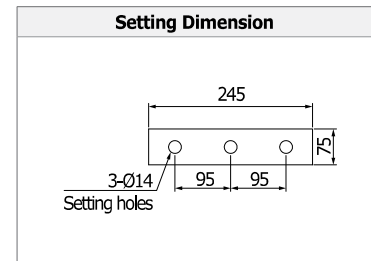
Technical Drawing



Part List

No	Part Name	Part Number
1	Front Glass	64400005
	Lamp (Sodium 250)	22110115
2	Lamp (Sodium 400)	22110114
	Lamp (Metal halide 250)	22140008
3	Lamp (Metal halide 400)	22140023
	Lamp Holder	22250043
4	Ignitor	22510032
5	Reflector (Narrow beam)	Z109-0005
	Reflector (Wide beam)	Z109-0021
6	Terminal Box	64607340
7	Front Glass Packing	64590284

Setting Dimension



High Pressure Sodium Flood Light with Ballast

PF-SB

Protection degree IP66 / IP67

Materials

- Body : Stainless steel 316 sheet deep drawn
- Front glass : Heat and impact resistant glass
- Reflector : High reflectance aluminium
- Latch : Stainless steel

Finish

- Body : White epoxy powder coat and stove enamelled (Munsell No. N-9,3)

Equipment

- Sodium Lamp : 250 W / 400 W
- Lamp holder : E39/40
- Two cable glands M24 (Diameter : Max. 17 mm cable)
- Vertical adjust (Up : 40°, Down : 60°)
- Built in ballast
- Ignitor : Terminal box included

Electrical

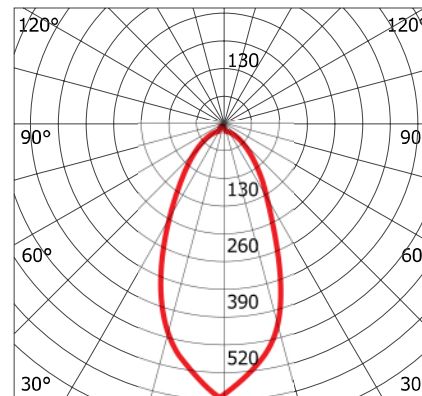
- AC 220 V, 60 Hz

Option

- AC 220 V, AC 230 V, 50/60 Hz
- Anti-vibration packing
- Breathing Gland



Light Distribution Curve



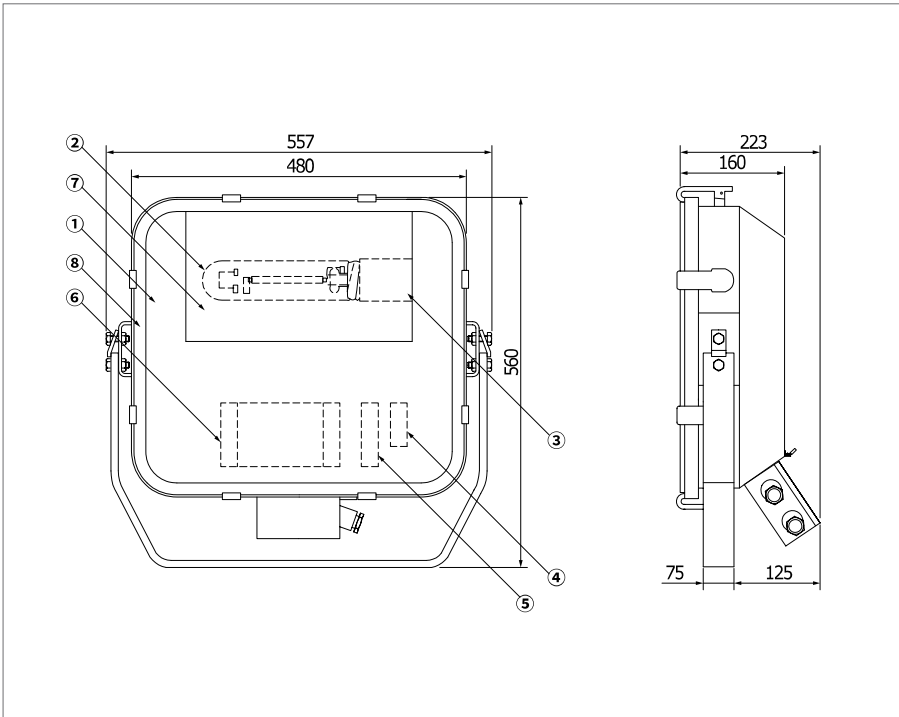
Specification

Model No.	Capacity	L(mm)	W(mm)	H(mm)	Weight(kg)	Remarks
PF15SB-235UWCN	150 W	557	223	560	18	Narrow beam
PF25SB-20UWCN	250 W	557	223	560	19	Narrow beam
PF40SB-20UWCN	400 W	557	223	560	19	Narrow beam
PF25SB-20UWCW	250 W	557	223	560	19	Wide beam
PF40SB-20UWCW	400 W	557	223	560	19	Wide beam



PF40SB-206UWCN

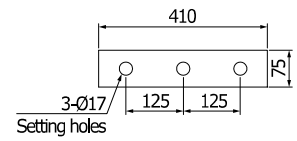
Technical Drawing



Part List

No	Part Name	Part Number
1	Front Glass	64400004
2	Lamp (Sodium 250 W)	22110115
	Lamp (Sodium 400 W)	22110114
3	Lamp Holder	22250043
4	Ignitor	22510032
5	Condenser (20 μ F)	34010248
	Condenser (40 μ F)	34010334
6	Ballast (250 W)	Z2249-S037
	Ballast (400 W)	Z2249-S043
7	Reflector (Narrow beam)	Z109-0005
	Reflector (Wide beam)	Z109-0021
8	Front Glass Packing	64590032

Setting Dimension



High Pressure Sodium Flood Light

PF42SI



Protection degree IP66 / IP67

Materials

- Body : Stainless steel 316 sheet deep drawn
- Front glass : Heat and impact resistant glass
- Reflector : High reflectance aluminium
- Latch : Stainless steel

Finish

- Body : White epoxy powder coat and stove enamelled (Munsell No. N-9,3)

Equipment

- Sodium Lamp : 400 W
- Metal Halide Lamp : 400 W
- Lamp holder : E39/40
- Two cable glands M24 (Diameter : Max. 17 mm cable)
- Vertical adjust (Up : 40°, Down : 60°)
- Separate ballast
- Ignitor : Terminal box included

Electrical

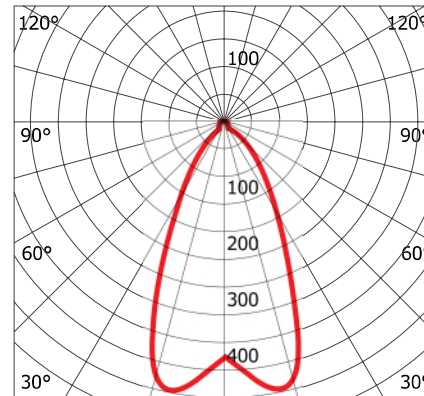
- AC 100~240 V, 50/60 Hz

Option

- Anti-vibration packing
- Breathing Gland



Light Distribution Curve



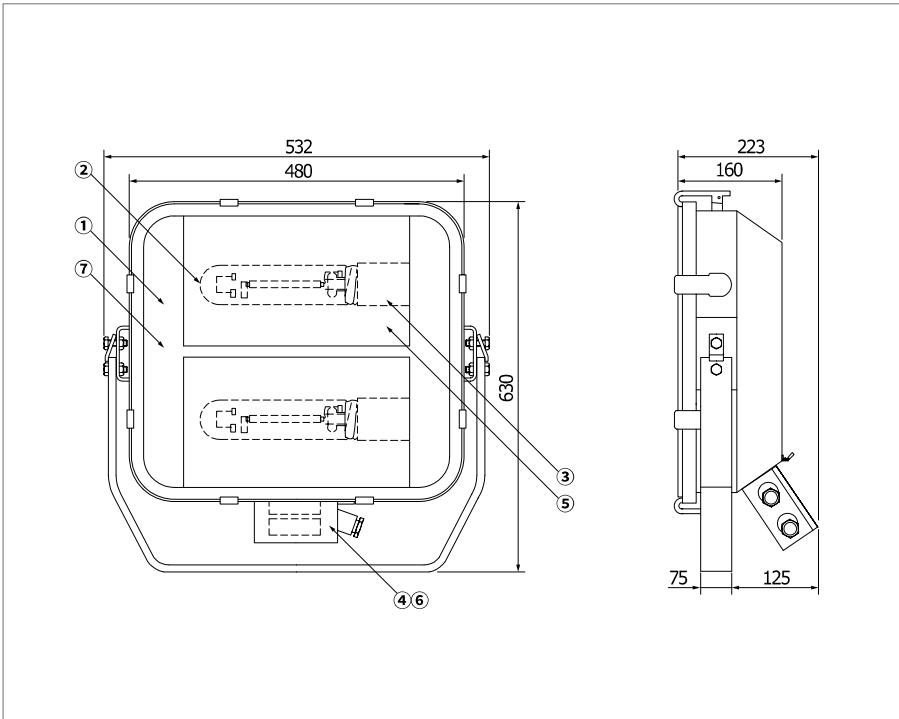
Specification

Model No.	Capacity	L(mm)	W(mm)	H(mm)	Weight(kg)	Remarks
PF42SI-UWCW	400 W X 2	532	223	630	16	Wide beam
PF42SI-UWCN	400 W X 2	532	223	630	16	Narrow beam



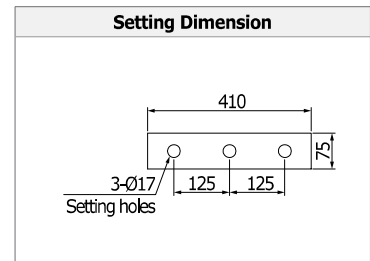
PF42SI

Technical Drawing



Part List

No	Part Name	Part Number
1	Front Glass	64400004
2	Lamp	22110001
3	Lamp Holder	22250043
4	Ignitor	22510032
5	Reflector (Narrow beam)	Z109-0005
	Reflector (Wide beam)	Z109-0021
6	Terminal Box	64607340
7	Front Glass Packing	64590032



Metal Halide Flood Light

PF07MHB

Protection degree IP66 / IP67

Materials

- Body : Stainless steel 316 sheet deep drawn
- Front glass : Heat and impact resistant glass
- Reflector : High reflectance aluminium
- Guard : Stainless steel 316
- Latch : Stainless steel 316

Finish

- Body : White epoxy powder coat and stove enamelled (Munsell No. N-9.3)

Equipment

- Metal Halide Lamp : 70 W
- Lamp holder : E27
- Two cable glands M24 (Diameter : Max. 17 mm cable)
- Vertical adjust (Up: 0° ~ 40°)
- Built in ballast

Electrical

- AC 220~240 V, 50/60 Hz
- Electronic Ballast
- Operating Temperature Range : -30 °C ~ 45 °C

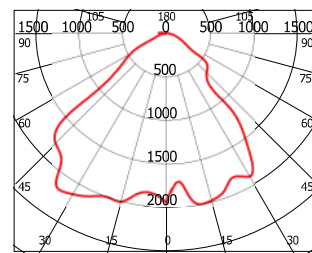
Option

- Anti-vibration packing
- Breathing Gland



Light Distribution Curve

PF07MHB



— : 0°

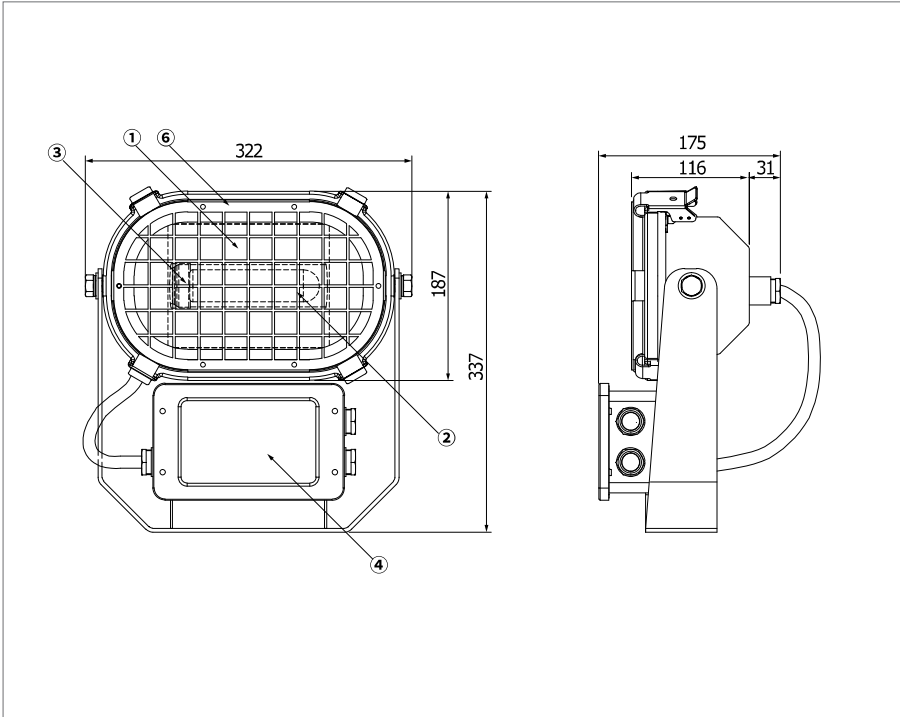
Specification

Model No.	Capacity	L(mm)	W(mm)	H(mm)	Weight(kg)	Remarks
PF07MHB	70 W	322	175	337	9,07	



PF07MHB-206UWCW

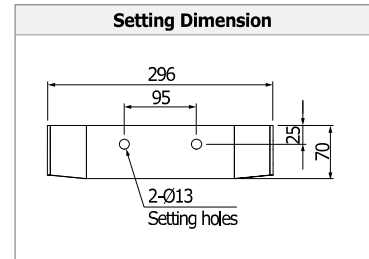
Technical Drawing



Part List

No	Part Name	Part Number
1	Front Glass	64400143
2	Lamp	22140060
3	Lamp Holder	15100056
4	Electric Ballast	22222231
5	Terminal Block	18023501
6	Front Glass Packing	64597055

Setting Dimension



Incandescent Flood Light

PF-I-W



Protection degree IP66 / IP67

Materials

- Body : Stainless steel sheet deep drawn
- Front glass : Heat and impact resistant glass
- Reflector : High reflectance aluminium
- Latch : Stainless steel 316

Finish

- Body : White epoxy powder coat and stove enamelled (Munsell No. N-9,3)

Equipment

- Lamp holder : E39/40
- One cable gland 24 (Diameter : Max. 17 mm cable)
- Vertical adjust (Up : 40°, Down : 60°)

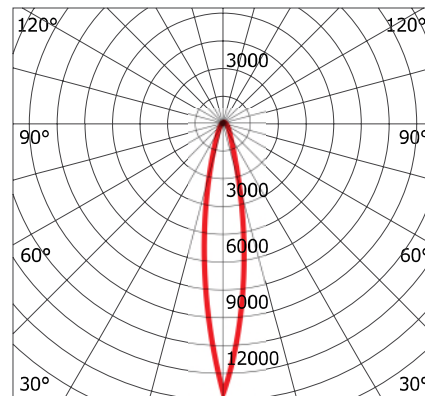
Electrical

- AC 220 V, 50/60 Hz

Option

- AC 100 V, 110 V, 230 V
- Anti-vibration packing

Light Distribution Curve



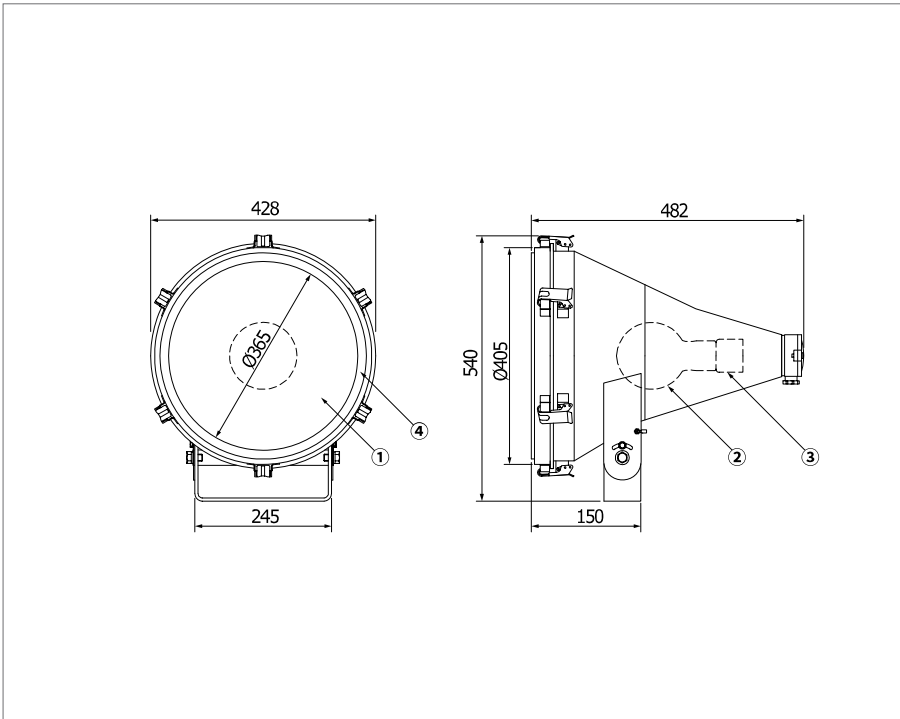
Specification

Model No.	Capacity	L(mm)	W(mm)	H(mm)	Weight(kg)	Remarks
PF30I-20UWCF	300 W	428	482	540	12	
PF50I-20UWCF	500 W	428	482	540	12	
PF1KI-20UWCF	1000 W	568	650	700	19,5	



PF30I / PF50I

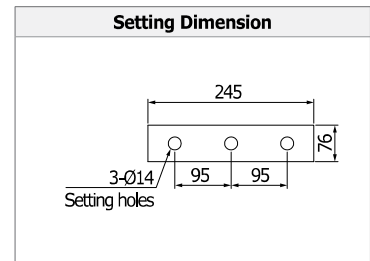
Technical Drawing



Part List

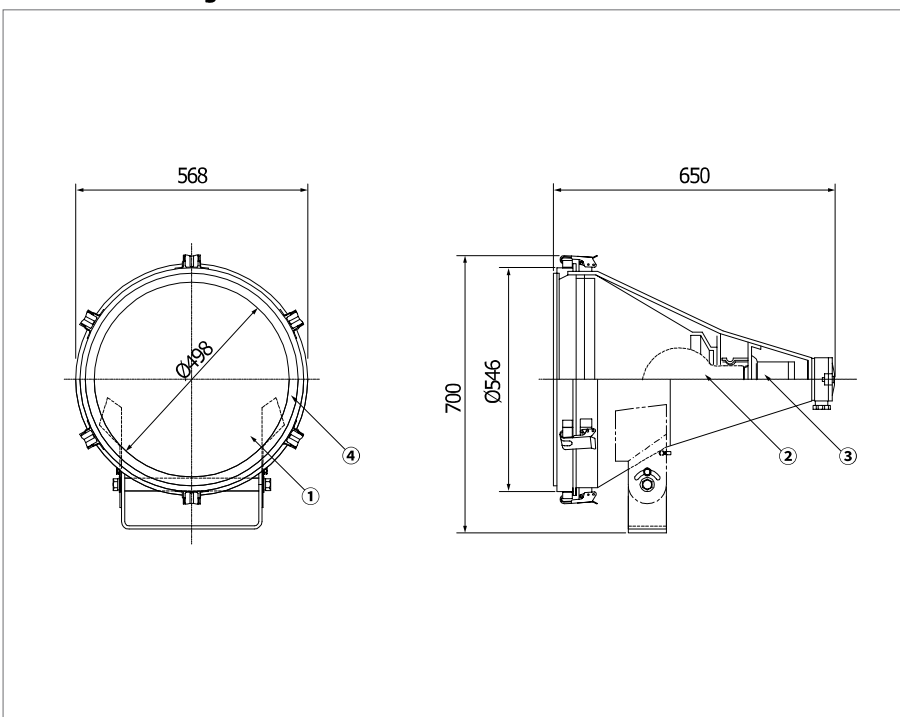
No	Part Name	Part Number
1	Front Glass	64400017
2	Lamp	22010010
3	Lamp Holder	22250042
4	Front Glass Packing	64590170

Setting Dimension



PF1KI

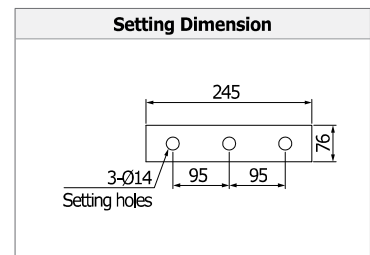
Technical Drawing



Part List

No	Part Name	Part Number
1	Front Glass	64400093
2	Lamp	22010410
3	Lamp Holder	22250042
4	Front Glass Packing	64590286

Setting Dimension



Portable Incandescent Flood Light / Portable Halogen Flood Light

PF-I-P / PF-H-P



Protection degree IP66 / IP67

Materials

- Body : Stainless steel sheet deep drawn
- Front glass : Heat and impact resistant glass
- Latch: Stainless steel 316
- Guard : Stainless steel 316

Finish

- Body : Light green epoxy powder coat and stove enamelled (Munsell No.7.5BG 7/2)

Equipment

- Incandescent Lamp : 300 W / 500 W
- Halogen Lamp : 500 W
- Lamp holder : TE39/40
- Cable : TPNP 1.5 S/Q 30 m cable & plug

Electrical

- AC 220 V, 50/60 Hz

Option

- AC 100 V, 110 V, 230 V

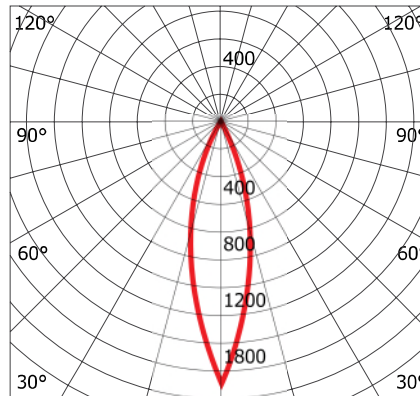


Hanging hook



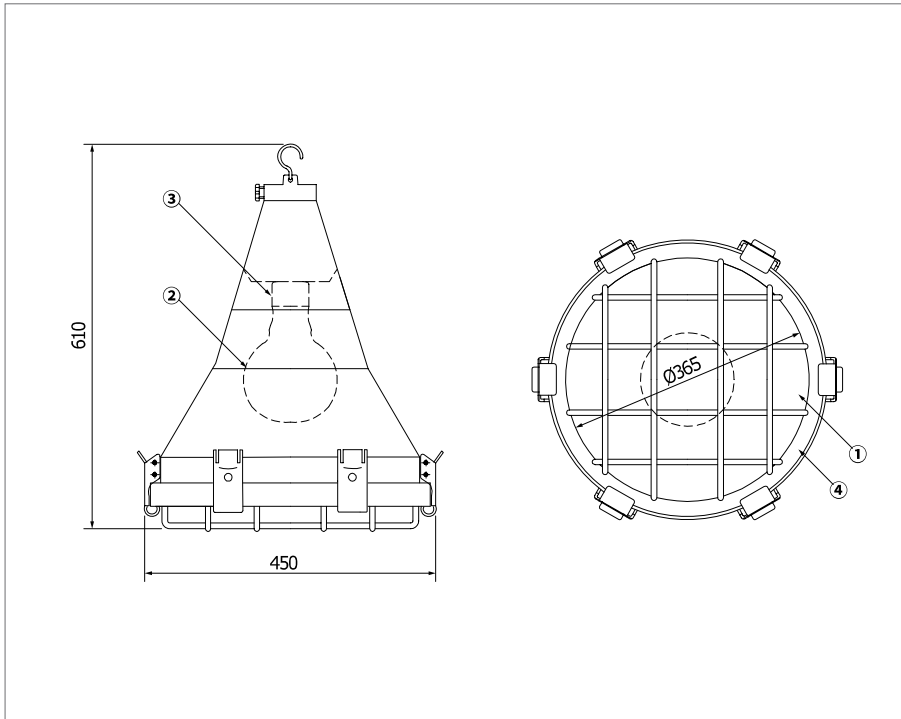
PG-W3PD(W.T)

Light Distribution Curve



Specification

Model No.	Capacity	L(mm)	W(mm)	H(mm)	Weight(kg)	Remarks
PF30I-20USCP	300 W	450	610	450	15.5	Incandescent Lamp
PF50I-20USCP	500 W	450	610	450	15.5	Incandescent Lamp
PF50H-23USCP	500 W	450	610	450	15.5	Halogen Lamp

**PF-P****Technical Drawing****Part List**

No	Part Name	Part Number
1	Front Glass	64400017
	Incandescent Lamp (AC 220 V, 300 W)	22010010
2	Incandescent Lamp (AC 220 V, 500 W)	22010011
	Halogen Lamp (AC 230 V, 500 W)	22150027
3	Lamp Holder	22250042
4	Front Glass Packing	64590170

Incandescent Projector Light

PP-I-NR



Protection degree IP56

Materials

- Body : Stainless steel 316
- Guard : Stainless steel

Finish

- Body : Light green epoxy powder coat and stove enamelled (Munsell No. 7.5BG 7/2)

Equipment

- Incandescent lamp : 300 W / 500 W
- Lamp holder : E39
- One cable gland M24 (Diameter : Max. 17 mm cable)
- Vertical adjust and horizontal swivel

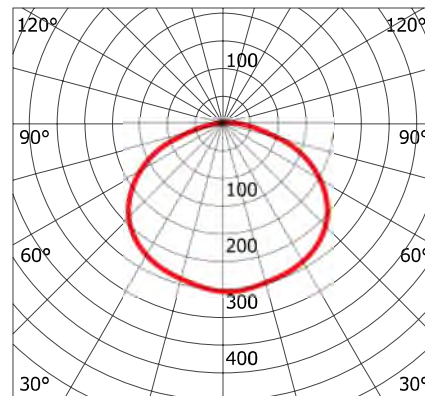
Electrical

- AC 220 V, 50/60 Hz

Option

- AC 100 V, 110 V, 230 V

Light Distribution Curve



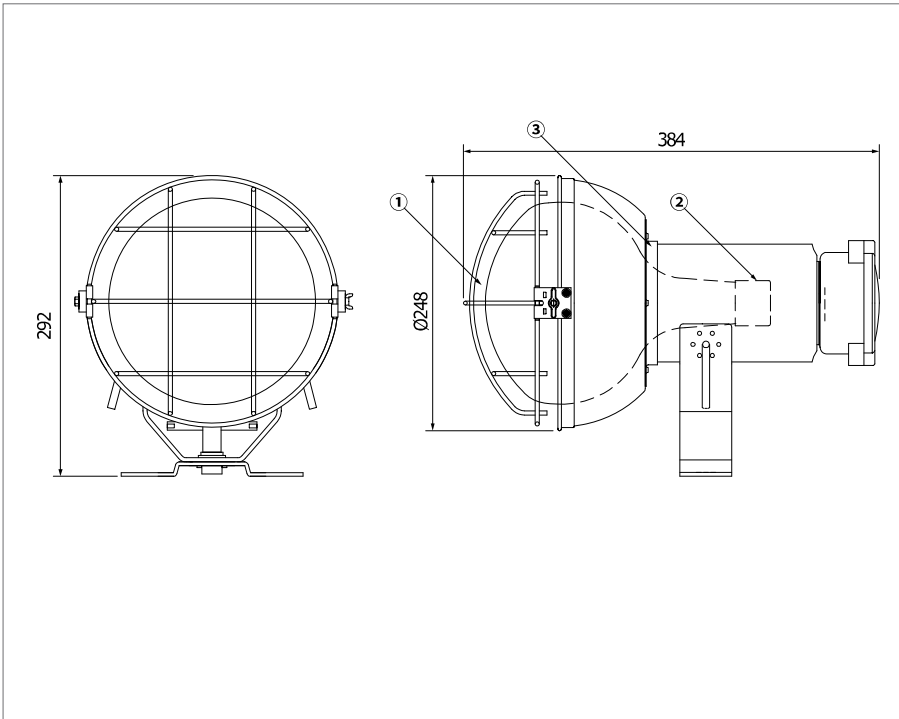
Specification

Model No.	Capacity	L(mm)	W(mm)	H(mm)	Weight(kg)	Remarks
PP30I-20USCF-NR	300 W	384	248	292	3,54	
PP50I-20USCF-NR	500 W	384	248	292	3,54	



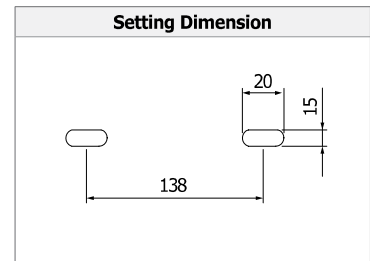
PP-I-NR

Technical Drawing



Part List

No	Part Name	Part Number
1	Projector Lamp (AC 220 V, 300 W)	22070012
	Projector Lamp (AC 220 V, 500 W)	22070013
2	Lamp Holder	22250042
3	Lamp Packing	64596679



Incandescent Flood Light

PF-I-S



Protection degree IP66 / IP67

Materials

- Body : Stainless steel sheet deep drawn
- Setting base : Cast brass
- Front glass : Heat and impact resistant glass
- Latch : Stainless steel 316

Finish

- Body : Light green epoxy powder coat and stove enamelled (Munsell No.7.5BG 7/2)

Equipment

- Lamp holder : E26/27
- One cable gland M24 (Diameter : Max. 17 mm cable)
- Vertical adjust and horizontal swivel

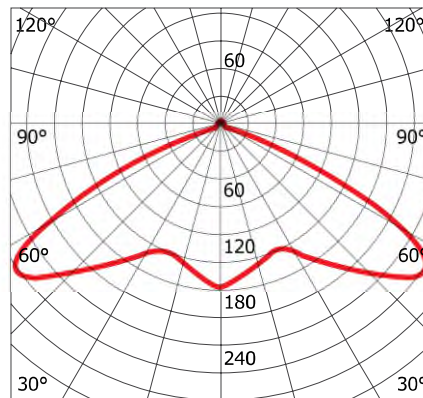
Electrical

- AC 220 V, 50/60 Hz

Option

- AC 100 V, 110 V, 230 V

Light Distribution Curve



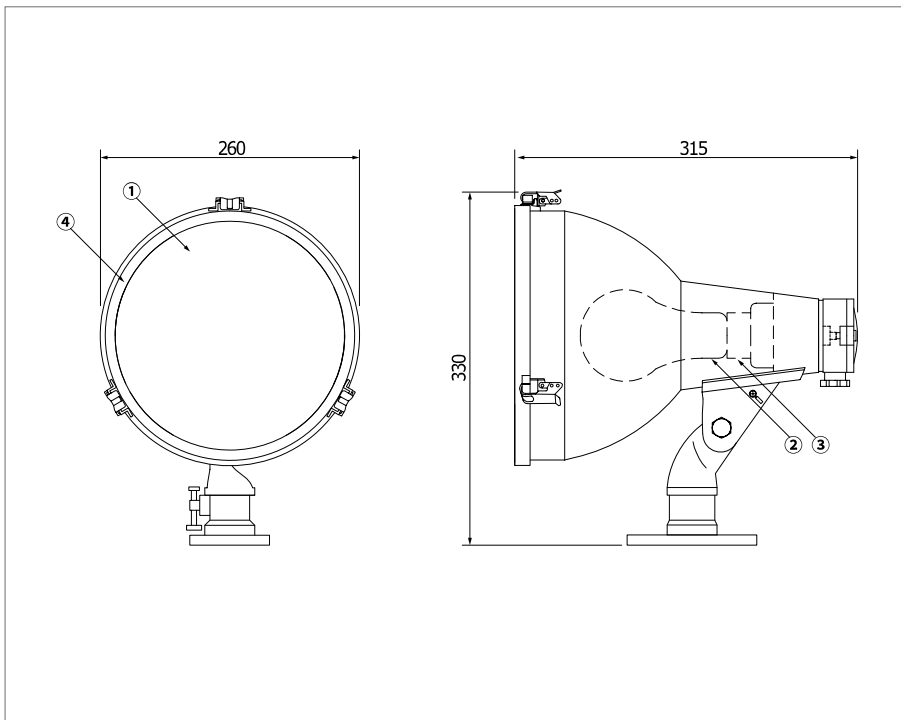
Specification

Model No.	Capacity	L(mm)	W(mm)	H(mm)	Weight(kg)	Remarks
PF20I-20USCF	200 W	260	315	330	4.3	



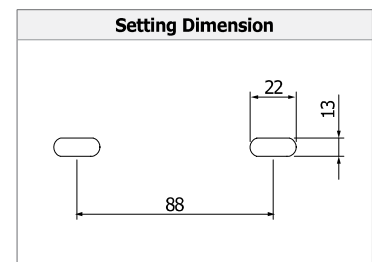
PF20I

Technical Drawing



Part List

No	Part Name	Part Number
1	Front Glass	64400135
2	Lamp (AC 220 V, 200 W)	22010009
3	Lamp Holder	22250157
4	Front Glass Packing	64590282



Sealed Beam Boat Deck Light

PB-I



Protection degree IP56

Materials

- Body : Cast brass
- Setting base : Cast brass

Finish

- Body : Light green epoxy powder coat and stove enamelled (Munsell No. 7.5BG 7/2)

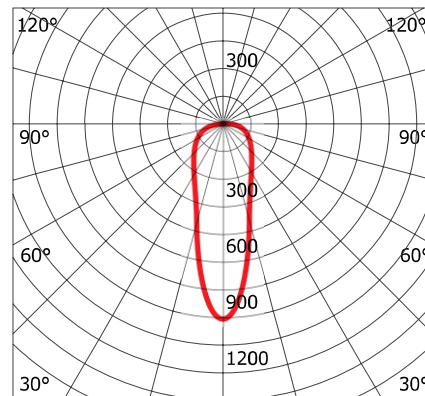
Equipment

- One cable gland 20a~c (Diameter : Max. 15 mm cable)
- Vertical adjust and horizontal swivel

Electrical

- Lamp for sealed beam : DC 24 V, 75 W

Light Distribution Curve



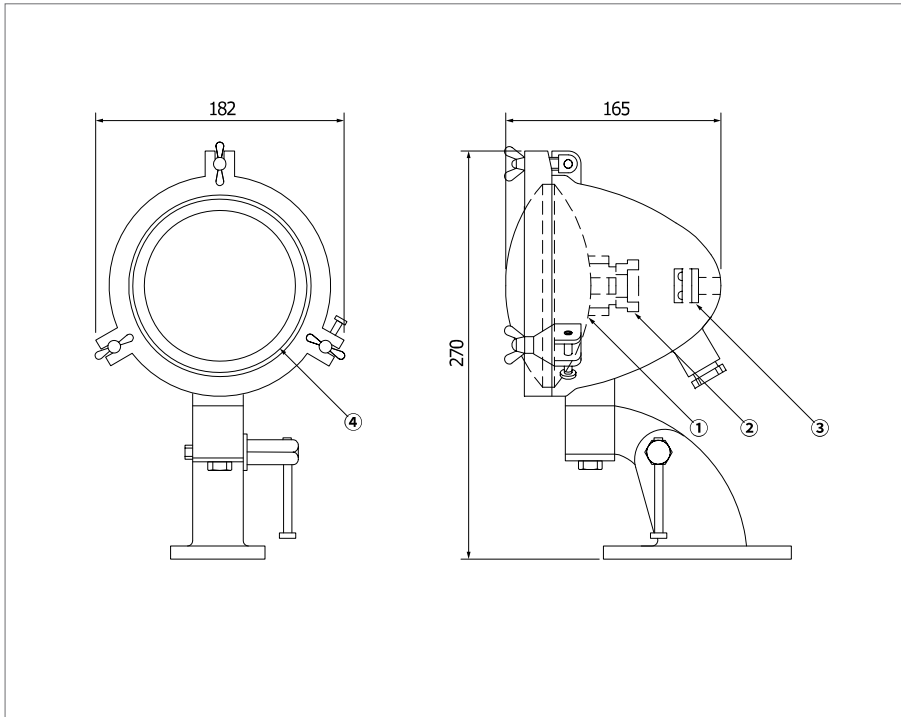
Specification

Model No.	Capacity	L(mm)	W(mm)	H(mm)	Weight(kg)	Remarks
PB75I-24BSCF	75 W	182	165	270	5.2	



PB75I

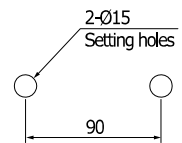
Technical Drawing



Part List

No	Part Name	Part Number
1	Lamp	22090001
2	Lamp Holder	22250050
3	Terminal Block	Z1802-S003
4	Lamp Packing	64590035

Setting Dimension



Watertight Ballast Box

B-S



Protection degree IP44

Materials

- Body : Zinc coated steel sheet
- Cover : Zinc coated steel sheet

Finish

- Body : White epoxy powder coat and stove enamelled (Munsell No. N-9.3)

Equipment

- Fiver cable glands PG21 (Diameter : Max. 19 mm cable)

Electrical

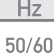
- AC 220 V, 60 Hz

Option

- AC 230 V, 50/60 Hz

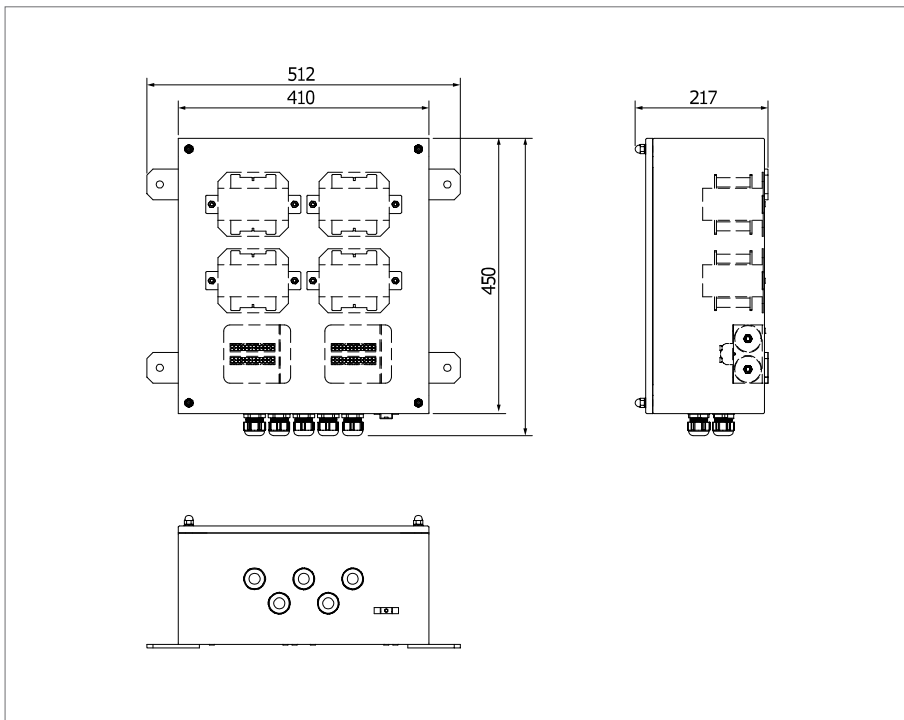
Specification

Model No.	Capacity	L(mm)	W(mm)	H(mm)	Weight(kg)	Remarks
B44S-206SWC	400 W X 4	450	512	217	35	

 IP 44	 AC 220V	 Hz 50/60
---	---	--

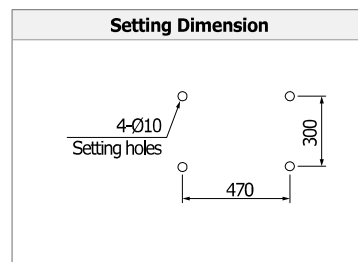
B44S-206SWC

Technical Drawing



Part List

No	Part Name	Part Number
1	Ballast	Z2249-S043
2	Condenser	34010334
3	Terminal Block	18022511



Watertight Ballast Box

BL-S / BL-MH



Protection degree IP44

Materials

- Body : Zinc coated steel sheet deep drawn and stainless steel
- Cover : Zinc coated steel sheet deep drawn and stainless steel
- Latch : Stainless steel

Finish

- Body : White epoxy powder coat and stove enamelled (Munsell No. N-9.3)

Equipment

- Three cable glands (Diameter : Max. 18 mm cable)

Electrical

- AC 220 V, 60 Hz

Option

- AC 230 V, 50/60 Hz

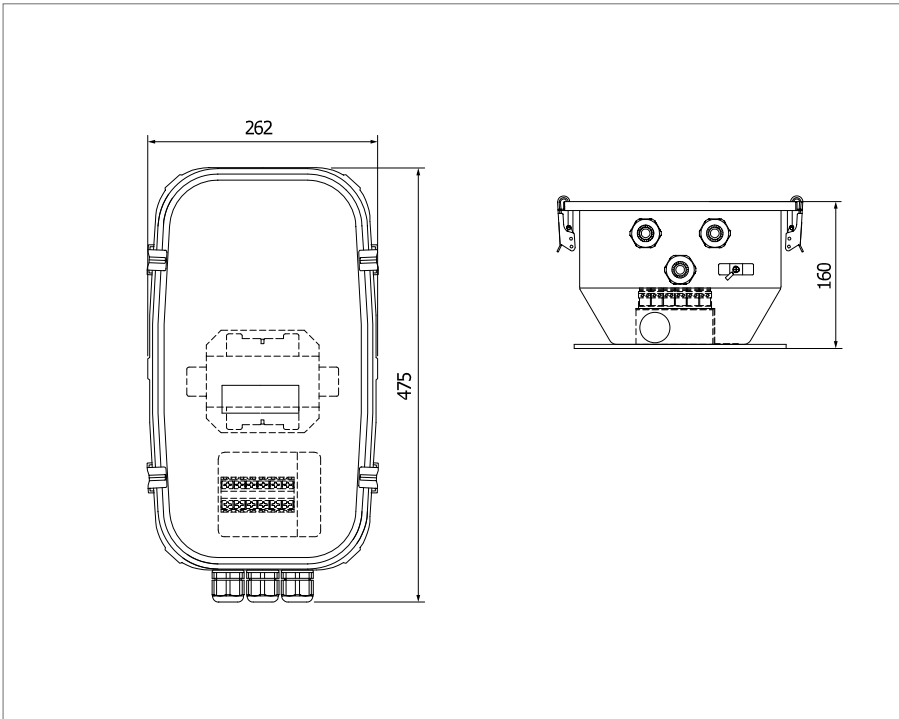
Specification

Model No.	Capacity	L(mm)	W(mm)	H(mm)	Weight(kg)	Remarks
BL25S-206SWC	200 W	262	475	160	10.6	Sodium
BL40S-206SWC	400 W	262	475	160	10.6	Sodium
BL252S-206SWC	250 W X 2	262	475	160	16.8	Sodium
BL42S-206SWC	400 W X 2	262	475	160	16.8	Sodium
BL25MH-206SSC	250 W	262	475	160	10.6	Metal Halide
BL40MH-206SSC	400 W	262	475	160	10.6	Metal Halide
BL42MH-206SSC	400 W X 2	262	475	160	16.8	Metal Halide



BL40S

Technical Drawing



Part List

No	Part Name	Part Number
	Ballast (Sodium 250 W)	Z2249-S037
	Ballast (Sodium 400 W)	Z2249-S043
1	Ballast (Metal Halide 250 W)	Z2249-S053
	Ballast (Metal Halide 400 W)	Z2249-S052
2	Condenser (25 μ F)	34010248
	Condenser (40 μ F)	34010334
3	Terminal Block	18022511

