



LED

LED LIGHTS

We are endeavouring to lead the lighting industry through the sustained R&D effort in developing up to date lighting technologies. Based on our recent effort on the application of LED as a new lighting source in 2012, the world first full LED Light ship was built with our LED Lights. We, surely, can supply all sort of LED Lights which could be replacements of traditional lighting including special lighting to meet customers' inquiry.



DAEYANG LED Light technologies are as follows.

1. Meet the interference regulations for marine vessels and electronic equipment (EN60945)
2. Robust lighting design for shock and vibration
3. Easy maintenance and safe terminal box & junction box
4. Considered high reliability design of electronic circuit and thermal design
5. Optical design for quality of light
6. Wide operating temperature conditions (-30 °C ~ 45 °C)



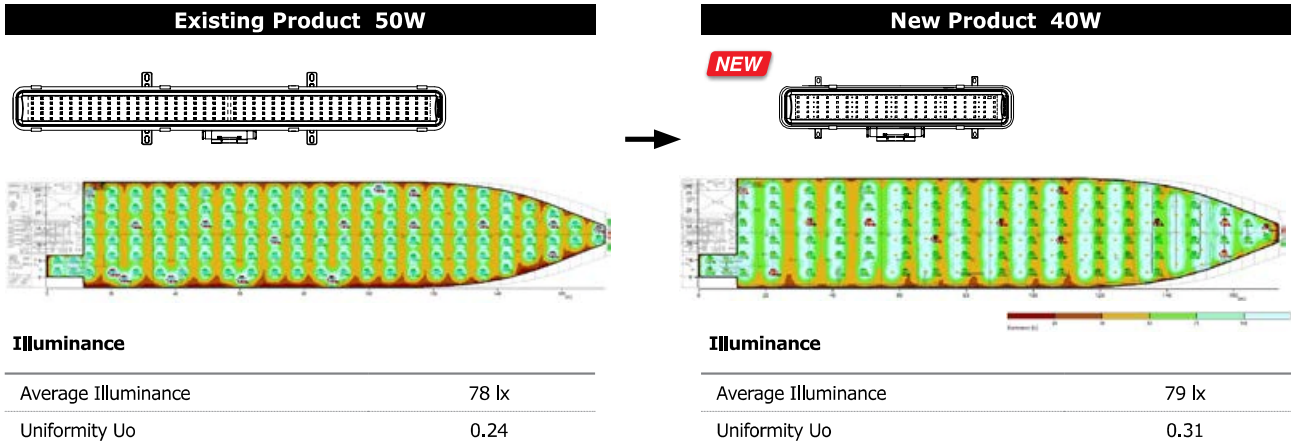
NEW LED Lighting Solution Performance Improved

NOVEL LED CEILING LIGHT

01 | High Efficiency & Wide Beam

| Illumination Simulation Comparison |

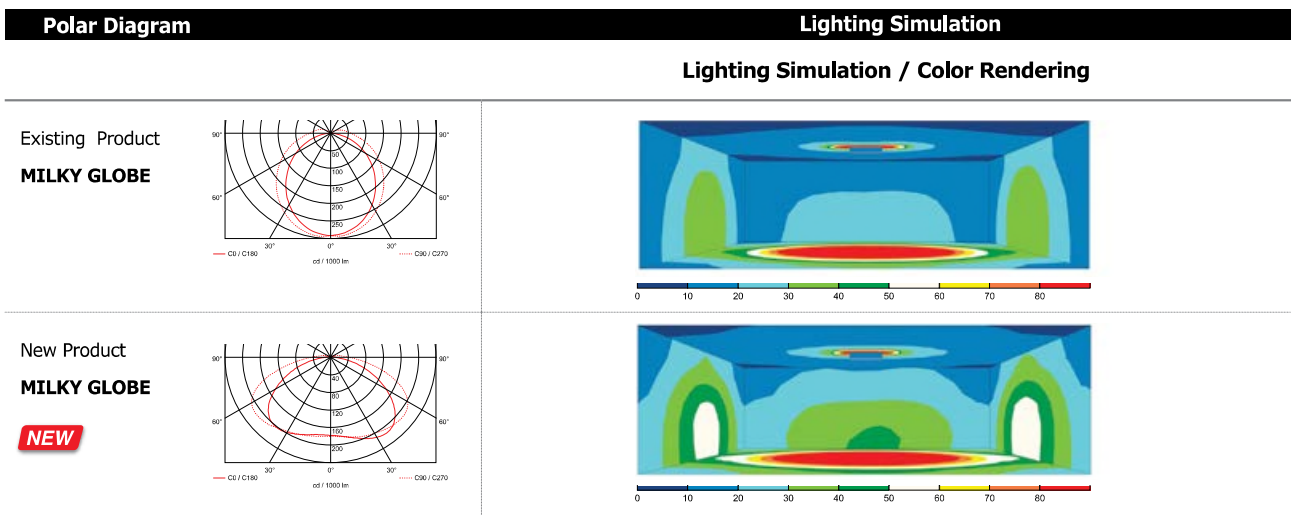
New products use the wide inner lens to improve uniformity and to improve luminous efficiency by 40%.



| Specifications Comparison |

| LED Surface Ceiling Light | | | | |
|---|------------|----------------------|-------------------|------------|
| PRODUCT | Length(mm) | Power Consumption(W) | Luminous Flux(lm) | Weight(kg) |
| Existing Product LEB225WS-S/ LEB225WS-U | 1312 | 50 | 4340 | 7.7 |
| New Product LEB225WSO-S/ LEB225WSO-U | 706 | 40 | 5036 | 3.1 |

| Luminous Intensity Distribution Curve and Simulation |



NEW LED Lighting Solution Performance Improved

02 | Support for Ship Designers and Workers

Support for Ship Designers

- Minimize interference with ceiling structures
- Maximize space utilization and power efficiency

Support for Workers

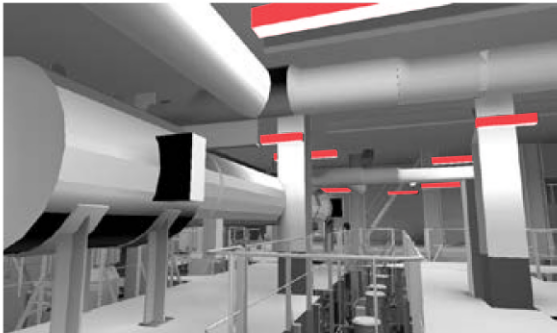
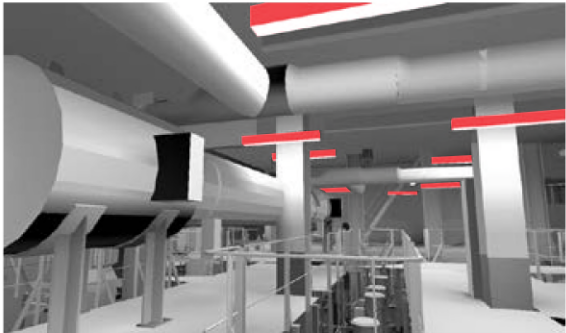
- Improve working conditions by reducing risk and fatigue during lighting fixture installation and maintenance

LED Surface Ceiling Light

LEB225WS-S/ LEB225WS-U



NEW LEB225WSO-S/ LEB225WSO-U



NEW LED Lighting Solution Performance Improved

LED Recessed Ceiling Light

LEB125WF

Protection degree IP44

Materials

- Body: Electro zinc coated steel sheet
- Globe: Opal Acryl

Finish

- Body: White epoxy powder coat and stove enameled (Munsell No.N-9.3)

Ambient Temperature

- -30 °C ~ +45 °C

Electrical

- AC 220 ~ 240 V, 50/60 Hz
- Power Consumption : 20 W

Glare Rating

- UGR 22

Luminous Efficacy

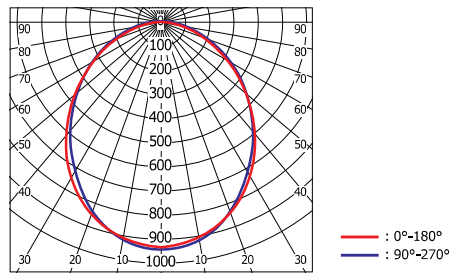
- 117 lm/W

Warranty Period

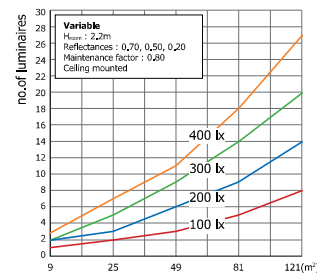
- 5 years (@ Ambient Temp. 45 °C)
- (Lifespan : 10 years @ Ambient Temp. 25 °C)



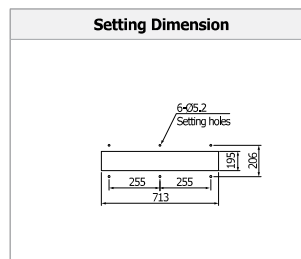
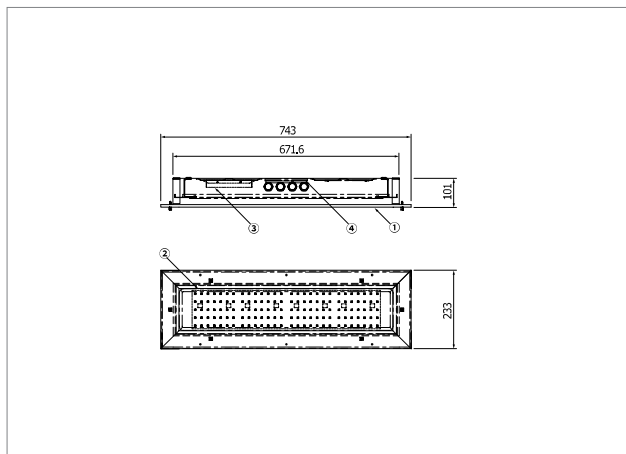
Light Distribution Curve



Recommended number of luminaire (Base on empty room)



Technical Drawing



Specification

| Model No. | Capacity | L(mm) | W(mm) | H(mm) | Weight(kg) | Remarks |
|------------|----------|-------|-------|-------|------------|-------------------------------------|
| LEB125WF-S | 20 W | 743 | 233 | 101 | 6.80 | » Equivalent to FL. Lamp (18 W x 2) |

NEW LED Lighting Solution Performance Improved

LED Recessed Ceiling Light

LEB225WF

Protection degree IP44

Materials

- Body: Electro zinc coated steel sheet
- Globe: Opal Acryl

Finish

- Body: White epoxy powder coat and stove enameled (Munsell No.N-9.3)

Ambient Temperature

- -30 °C ~ +45 °C

Electrical

- AC 220 ~ 240 V, 50/60 Hz
- Power Consumption : 40 W

Glare Rating

- UGR 22

Luminous Efficacy

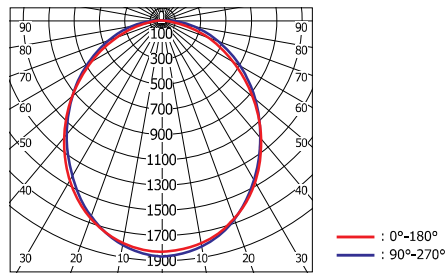
- 119 lm/W

Warranty Period

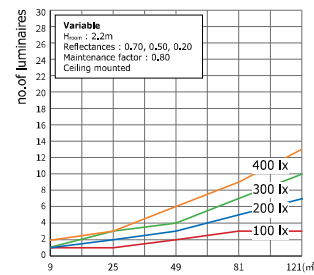
- 5 years (@ Ambient Temp. 45 °C)
(Lifespan : 10 years @ Ambient Temp. 25 °C)



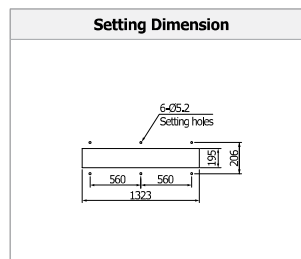
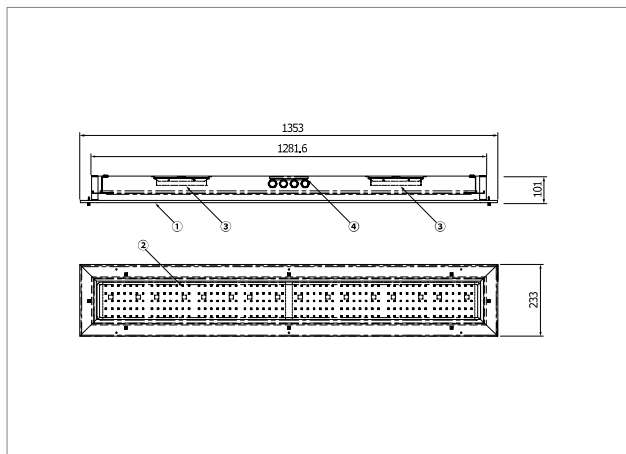
Light Distribution Curve



Recommended number of luminaire (Base on empty room)



Technical Drawing



Specification

| Model No. | Capacity | L(mm) | W(mm) | H(mm) | Weight(kg) | Remarks |
|------------|----------|-------|-------|-------|------------|-------------------------------------|
| LEB225WF-S | 40 W | 1353 | 233 | 101 | 9.41 | » Equivalent to FL. lamp (36 W x 2) |

NEW LED Lighting Solution Performance Improved

LED Recessed Ceiling Light (No Gap Type)

LEB125NF-SN

Protection degree IP20

Materials

- Body: Electro zinc coated steel sheet
- Globe: Polycarbonate

Finish

- Body: Epoxy powder coat and stove enameled (Munsell No.N-9.3)

Ambient Temperature

- -30 °C ~ +45 °C

Electrical

- AC 220 ~ 240 V, 50/60 Hz
- Power Consumption : 20 W

Glare Rating

- UGR 22

Luminous Efficacy

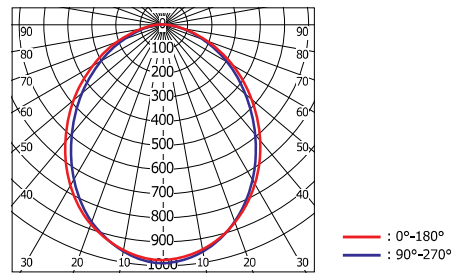
- 115 lm/W

Warranty Period

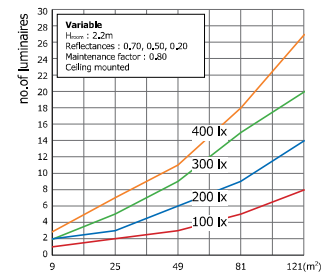
- 5 years (@ Ambient Temp. 45 °C)
(Lifespan : 10 years @ Ambient Temp. 25 °C)



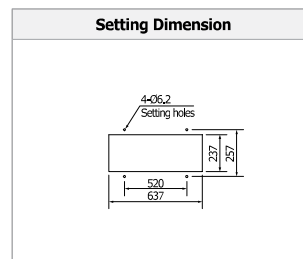
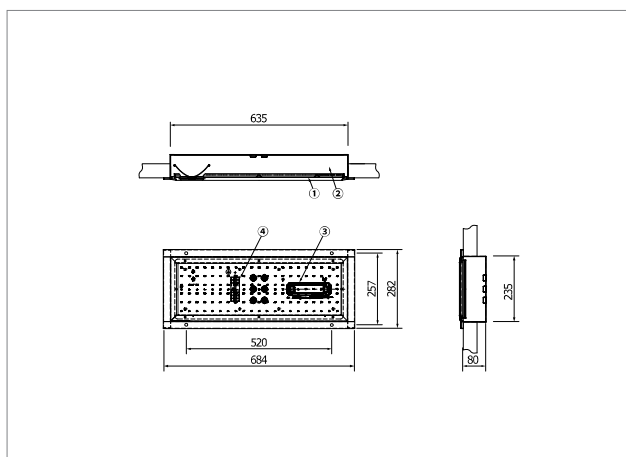
Light Distribution Curve



Recommended number of luminaire (Base on empty room)



Technical Drawing



Specification

| Model No. | Capacity | L(mm) | W(mm) | H(mm) | Weight(kg) | Remarks |
|-------------|----------|-------|-------|-------|------------|---------|
| LEB125NF-SN | 20 W | 635 | 282 | 80 | 7.5 | |

NEW LED Lighting Solution Performance Improved

LED Recessed Ceiling Light (No Gap Type)

LEB225NF-SN

Protection degree IP20

Materials

- Body: Electro zinc coated steel sheet
- Globe: Polycarbonate

Finish

- Body: Epoxy powder coat and stove enameled (Munsell No.N-9.3)

Ambient Temperature

- -30 °C ~ +45 °C

Electrical

- AC 220 ~ 240 V, 50/60 Hz
- Power Consumption : 40 W

Glare Rating

- UGR 22

Luminous Efficacy

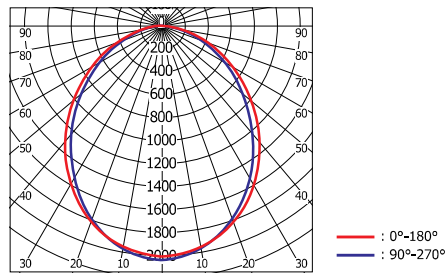
- 120 lm/W

Warranty Period

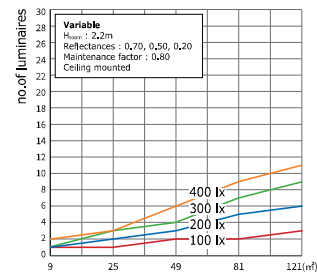
- 5 years (@ Ambient Temp. 45 °C)
(Lifespan : 10 years @ Ambient Temp. 25 °C)



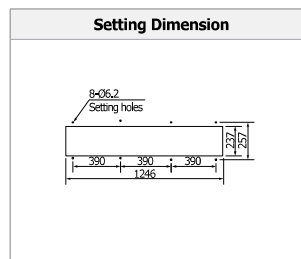
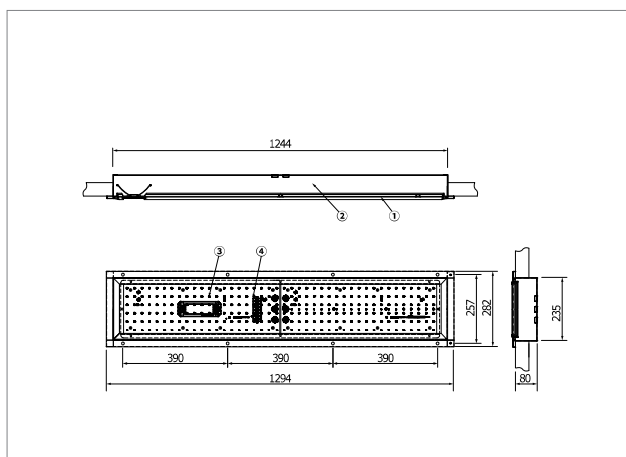
Light Distribution Curve



Recommended number of luminaire (Base on empty room)



Technical Drawing



Specification

| Model No. | Capacity | L(mm) | W(mm) | H(mm) | Weight(kg) | Remarks |
|-------------|----------|-------|-------|-------|------------|---------|
| LEB225NF-SN | 40 W | 1244 | 282 | 80 | 11.5 | |

LED Recessed Ceiling Light (No Gap Type)

LEB125NF-SN

Protection degree IP20

Materials

- Body: Electro zinc coated steel sheet
- Globe: Polycarbonate

Finish

- Body: Epoxy powder coat and stove enameled (Munsell No.N-9.3)

Ambient Temperature

- -30 °C ~ +45 °C

Electrical

- AC 220 ~ 240 V, 50/60 Hz
- Power Consumption : 25 W

Luminous Efficacy

- 2292.8 lm/W

Warranty Period

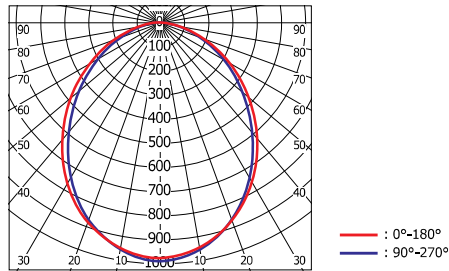
- 5 years (@ Ambient Temp. 45 °C)

Option

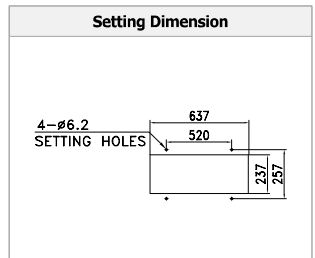
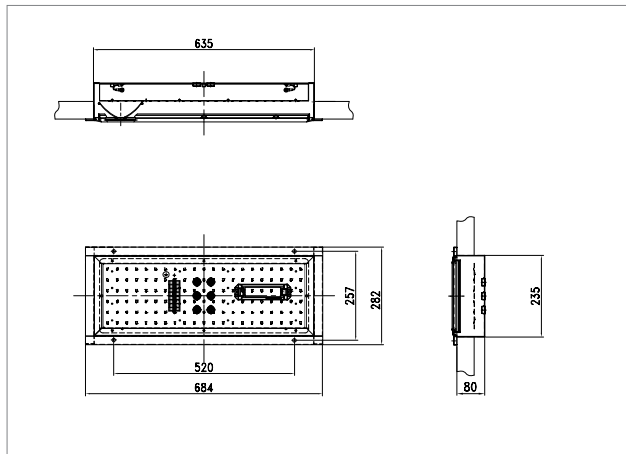
- Emergency : DC 24 V
- Battery Back-up



Light Distribution Curve



Technical Drawing



Specification

| Model No. | Capacity | L(mm) | W(mm) | H(mm) | Weight(kg) | Remarks |
|-------------|----------|-------|-------|-------|------------|---------|
| LEB125NF-SN | 25 W | 635 | 282 | 80 | 7.5 | |

LED Recessed Ceiling Light (No Gap Type)

LEB225NF-SN

Protection degree IP20

Materials

- Body: Electro zinc coated steel sheet
- Globe: Polycarbonate

Finish

- Body: Epoxy powder coat and stove enameled (Munsell No.N-9.3)

Ambient Temperature

- -30 °C ~ +45 °C

Electrical

- AC 220 ~ 240 V, 50/60 Hz
- Power Consumption : 50 W

Luminous Efficacy

- 4795.73 lm/W

Warranty Period

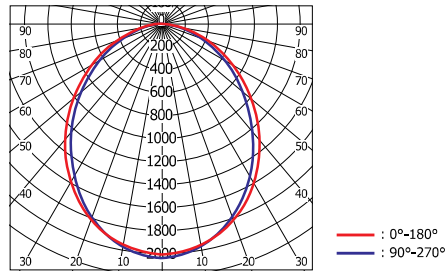
- 5 years (@ Ambient Temp. 45 °C)

Option

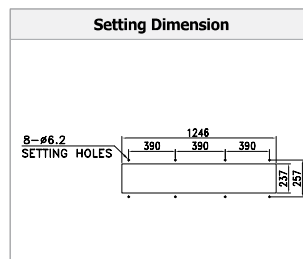
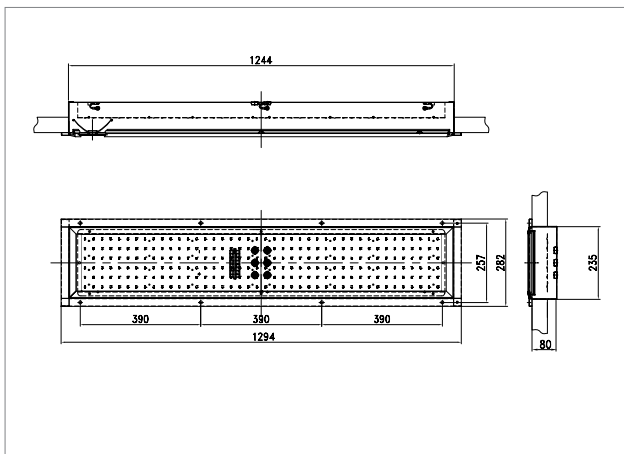
- Emergency : DC 24 V
- Battery Back-up



Light Distribution Curve



Technical Drawing



Specification

| Model No. | Capacity | L(mm) | W(mm) | H(mm) | Weight(kg) | Remarks |
|-------------|----------|-------|-------|-------|------------|---------|
| LEB225NF-SN | 50 W | 1244 | 282 | 80 | 11.5 | |

LED Recessed Dampa Ceiling Light

LEB125NF-D



Protection degree IP20

Materials

- Body & Globe flame: Electro zinc coated steel sheet
- Globe : Opal polycarbonate

Equipment

- Color Temperature : 3,000K / 4,000K / 5,000K

Finish

- Body : White epoxy powder coat and stove enameled (Munsell No.N-9.3)

Light Source

- Top View LED : 25 W

Electrical

- AC 220 ~ 240 V, 50/60 Hz
- Ambient Temperature : -30 °C ~ +45 °C

Option

- AC 220 ~ 240 V, 50/60 Hz
- Emergency : DC 24 V, 5 W
- Dimming
- Battery Back-up

Luminous Flux

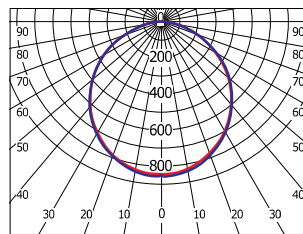
- 2,340 [lm]

Warranty Period

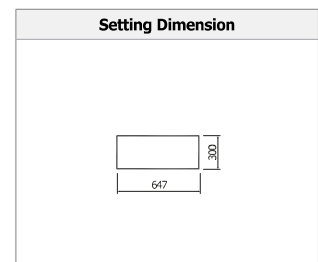
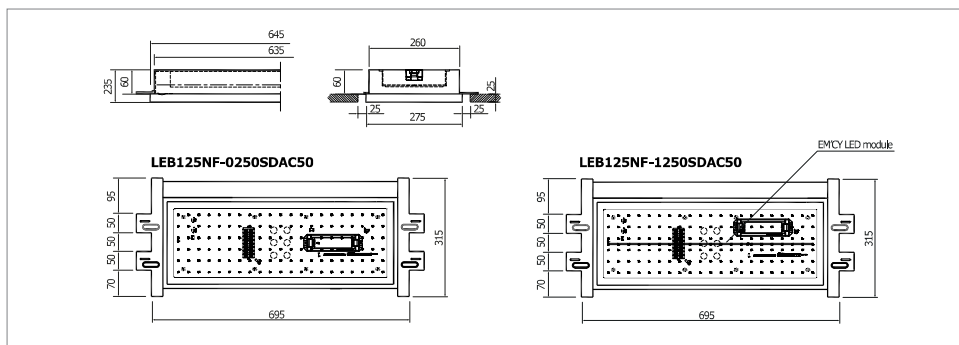
- 5 years (@ Ambient Temp. 45 °C)



Light Distribution Curve



Technical Drawing



Specification

| Model No. | Capacity | L(mm) | W(mm) | H(mm) | Weight(kg) | Remarks |
|------------------------------|-------------------------------------|-------|-------|-------|------------|--------------------------|
| LEB125NF-0250SDAC50 | 25 W | 775 | 315 | 85 | 6.09 | |
| | » Equivalent to FL. lamp (18 W x 2) | | | | | |
| LEB125NF-1250SDAC50 | 25 W | 775 | 315 | 85 | 6.09 | Emergency |
| | » Equivalent to FL. lamp (18 W x 2) | | | | | |
| LEB125NF-0250SDBAC50 | 25 W | 775 | 315 | 85 | 6.11 | Battery Back-up |
| | » Equivalent to FL. lamp (18 W x 2) | | | | | |
| LEB125NF-0250SDDAC50B | 25 W | 775 | 315 | 85 | 6.11 | Dimming, Battery Back-up |
| | » Equivalent to FL. lamp (18 W x 2) | | | | | |

NEW LED Lighting Solution Performance Improved

LED Recessed Dampa Ceiling Light

LEB225NF-D



Protection degree IP20

Materials

- Body & Globe frame: Electro zinc coated steel sheet
- Globe : Opal polycarbonate

Finish

- Body : White epoxy powder coat and stove enameled (Munsell No.N-9.3)

Ambient Temperature

- -30 °C ~ +45 °C

Electrical

- AC 100 ~ 240 V, 50/60 Hz
- Power Consumption : 40 W

Glare Rating

- UGR 22

Luminous Efficacy

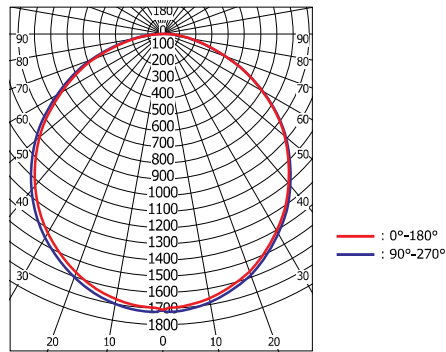
- 119 lm/W

Warranty Period

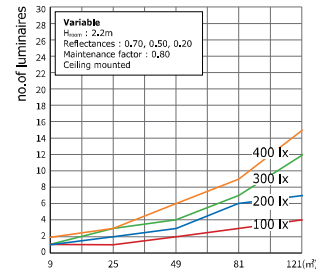
- 5 years (@ Ambient Temp. 45 °C)
(Lifespan : 10 years @ Ambient Temp. 25 °C)



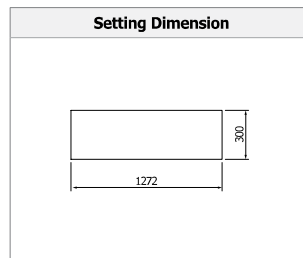
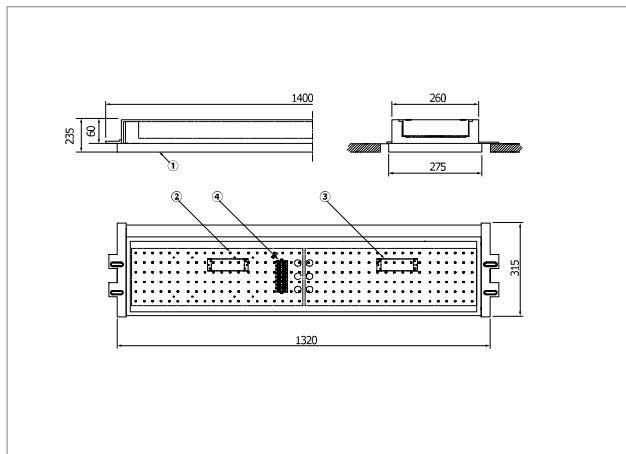
Light Distribution Curve



Recommended number of luminaire (Base on empty room)



Technical Drawing



Specification

| Model No. | Capacity | L(mm) | W(mm) | H(mm) | Weight(kg) | Remarks |
|------------|----------|-------|-------|-------|------------|-------------------------------------|
| LEB225NF-D | 40 W | 755 | 315 | 85 | 8.23 | » Equivalent to FL. lamp (36 W x 2) |

NEW LED Lighting Solution Performance Improved

LED Recessed Ceiling Light (FLUSH TYPE)

LEB125NF

Protection degree IP20

Materials

- Body : Electro zinc coated steel sheet
- Globe : Opal acryl

Finish

- Body : White epoxy powder coat and stove enameled (Munsell No.N-9.3)

Ambient Temperature

- -30 °C ~ +45 °C

Electrical

- AC 220 ~ 240 V, 50/60 Hz
- Power Consumption : 20 W

Glare Rating

- UGR 22

Luminous Efficacy

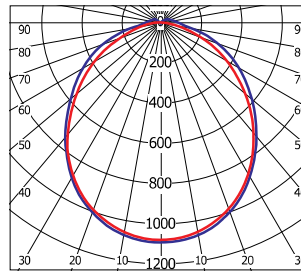
- 150 lm/W

Warranty Period

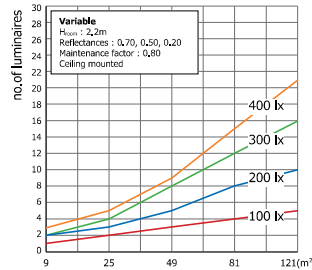
- 5 years (@ Ambient Temp. 45 °C)
(Lifespan : 10 years @ Ambient Temp. 25 °C)



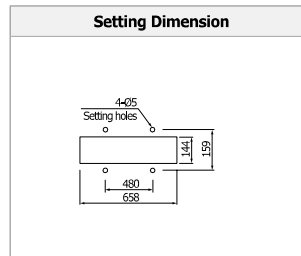
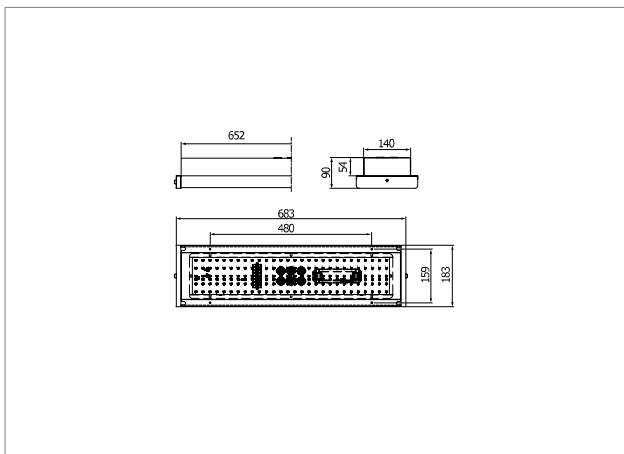
Light Distribution Curve



Recommended number of luminaire (Base on empty room)



Technical Drawing



Specification

| Model No. | Capacity | L(mm) | W(mm) | H(mm) | Weight(kg) | Remarks |
|-------------------------------------|----------|-------|-------|-------|------------|---------|
| LEB125NF | 20 W | 680 | 264 | 100 | 4.2 | |
| » Equivalent to FL. lamp (18 W x 2) | | | | | | |

NEW LED Lighting Solution Performance Improved

LED Recessed Ceiling Light (FLUSH TYPE)

LEB225NF

Protection degree IP20

Materials

- Body : Electro zinc coated steel sheet
- Globe : Opal acryl

Finish

- Body : White epoxy powder coat and stove enameled (Munsell No.N-9.3)

Ambient Temperature

- -30 °C ~ +45 °C

Electrical

- AC 220 ~ 240 V, 50/60 Hz
- Power Consumption : 40 W

Glare Rating

- UGR 22

Luminous Efficacy

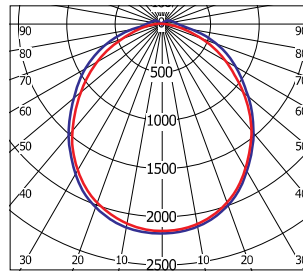
- 151 lm/W

Warranty Period

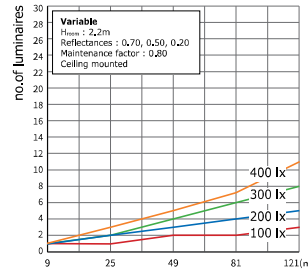
- 5 years (@ Ambient Temp. 45 °C)
(Lifespan : 10 years @ Ambient Temp. 25 °C)



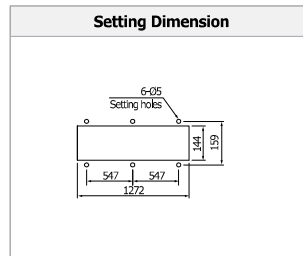
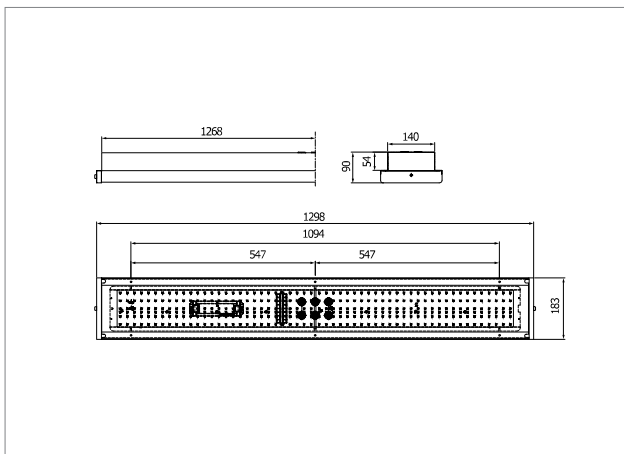
Light Distribution Curve



Recommended number of luminaire (Base on empty room)



Technical Drawing



Specification

| Model No. | Capacity | L(mm) | W(mm) | H(mm) | Weight(kg) | Remarks |
|-----------|----------|-------|-------|-------|------------|-------------------------------------|
| LEB225NF | 40 W | 680 | 264 | 100 | 7.4 | » Equivalent to FL. lamp (36 W x 2) |

NEW LED Lighting Solution Performance Improved

LED Corner Light

LEBN125NS



Protection degree IP20

Materials

- Body : Electro zinc coated steel sheet
- Globe : Opal acrylic

Finish

- Body : White epoxy powder coat and stove enameled (Munsell No. N-9.3)

Ambient Temperature

- -30 °C ~ +45 °C

Electrical

- AC 220 ~ 240 V, 50/60 Hz
- Power Consumption : 20 W

Glare Rating

- UGR 22

Luminous Efficacy

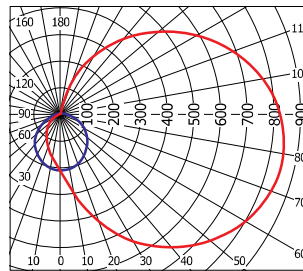
- 127 lm/W

Warranty Period

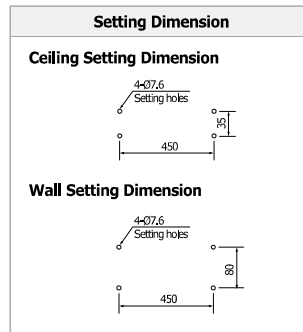
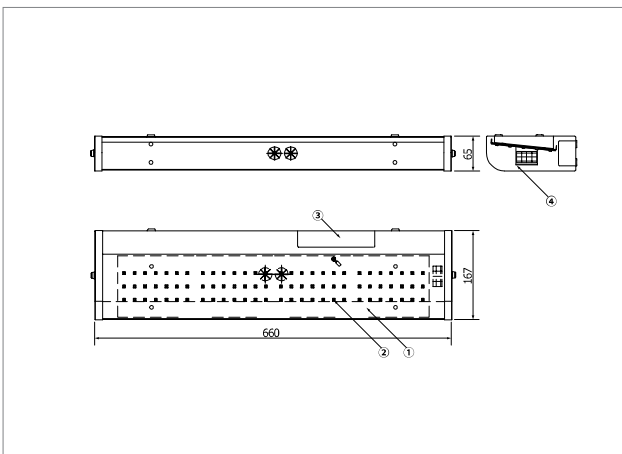
- 5 years (@ Ambient Temp. 45 °C)
(Lifespan : 10 years @ Ambient Temp. 25 °C)



Light Distribution Curve



Technical Drawing



Specification

| Model No. | Capacity | L(mm) | W(mm) | H(mm) | Weight(kg) | Remarks |
|-----------|----------|-------|-------|-------|------------|-------------------------------------|
| LEBN125NS | 20 W | 660 | 167 | 65 | 3.75 | » Equivalent to FL. lamp (18 W x 1) |

NEW LED Lighting Solution Performance Improved

LED Corner Light

LEBN225NS



Protection degree IP20

Materials

- Body : Electro zinc coated steel sheet
- Globe : Opal acrylic

Finish

- Body : White epoxy powder coat and stove enameled (Munsell No. N-9.3)

Ambient Temperature

- -30 °C ~ +45 °C

Electrical

- AC 220 ~ 240 V, 50/60 Hz
- Power Consumption : 40 W

Glare Rating

- UGR 22

Luminous Efficacy

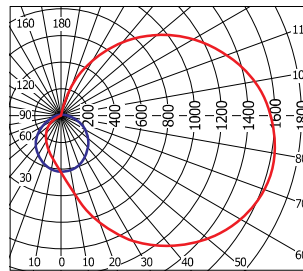
- 130 lm/W

Warranty Period

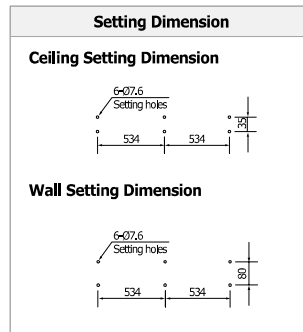
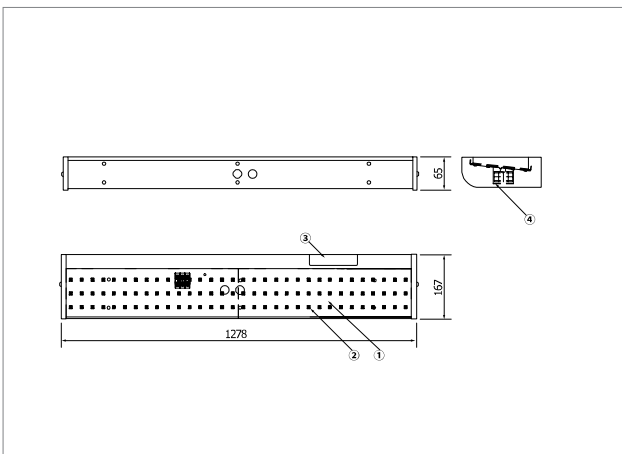
- 5 years (@ Ambient Temp. 45 °C)
(Lifespan : 10 years @ Ambient Temp. 25 °C)



Light Distribution Curve



Technical Drawing



Specification

| Model No. | Capacity | L(mm) | W(mm) | H(mm) | Weight(kg) | Remarks |
|-------------------------------------|----------|-------|-------|-------|------------|---------|
| LEBN225NS | 40 W | 1278 | 167 | 65 | 5.23 | |
| » Equivalent to FL. lamp (36 W x 1) | | | | | | |

NEW LED Lighting Solution Performance Improved

LED Surface Ceiling Light

LEB125WS-S

Protection degree IP56

Materials

- Body : Electro zinc coated steel sheet deep drawn
- Globe : Polycarbonate
- Latch : Stainless steel

Finish

- Body : White epoxy powder coat and Stove enameled (Munsell No.N-9.3)

Ambient Temperature

- -30 °C ~ +45 °C

Electrical

- AC 100 ~ 240 V, 50/60 Hz
- Power Consumption : 20 W / 40 W

Luminous Efficacy

- 147 lm/W, 143 lm/W

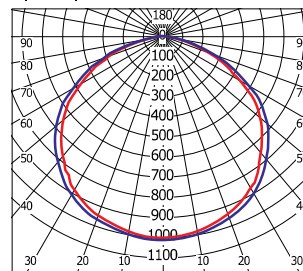
Warranty Period

- 5 years (@ Ambient Temp. 45 °C)
(Lifespan : 10 years @ Ambient Temp. 25 °C)

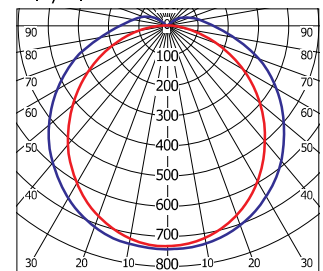


Light Distribution Curve

Clear Globe



Milky Globe



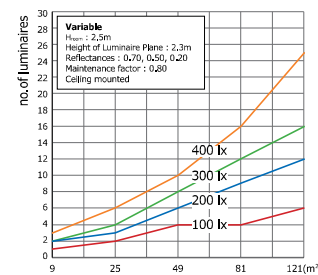
Terminal Box



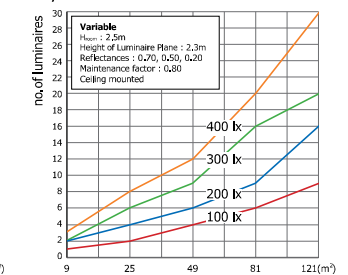
Coaming

Recommended number of luminaire (Base on empty room)

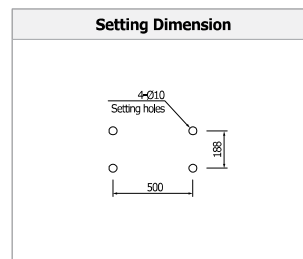
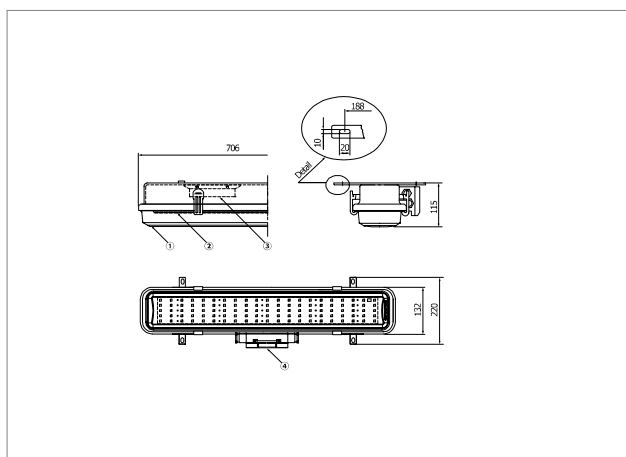
Clear Globe



Milky Globe



Technical Drawing



Specification

| Model No. | Capacity | L(mm) | W(mm) | H(mm) | Weight(kg) | Remarks |
|----------------|----------|-------|-------|-------|------------|-------------------------------------|
| LEB125WS-0250S | 20 W | 706 | 220 | 115 | 3.2 | » Equivalent to FL. lamp (18 W x 2) |

NEW LED Lighting Solution Performance Improved

LED Surface Ceiling Light

LEB225WS-S

Protection degree IP56

Materials

- Body : Electro zinc coated steel sheet deep drawn
- Globe : Polycarbonate
- Latch : Stainless steel

Finish

- Body : White epoxy powder coat and Stove enameled (Munsell No.N-9.3)

Ambient Temperature

- -30 °C ~ +45 °C

Electrical

- AC 100 ~ 240 V, 50/60 Hz
- Power Consumption : 20 W / 40 W

Luminous Efficacy

- 147 lm/W, 143 lm/W

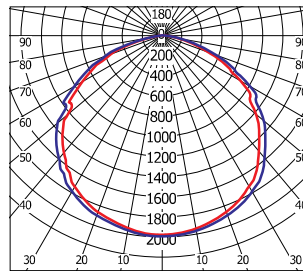
Warranty Period

- 5 years (@ Ambient Temp. 45 °C)
(Lifespan : 10 years @ Ambient Temp. 25 °C)

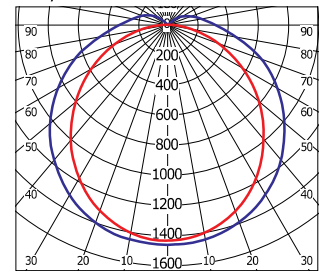


Light Distribution Curve

Clear Globe



Milky Globe



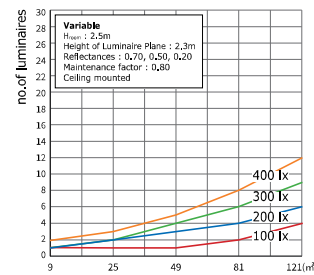
Terminal Box



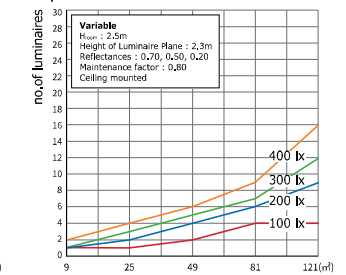
Coaming

Recommended number of luminaire (Base on empty room)

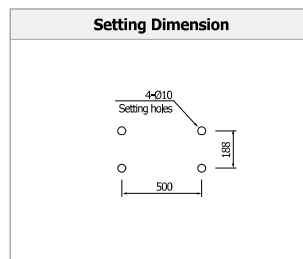
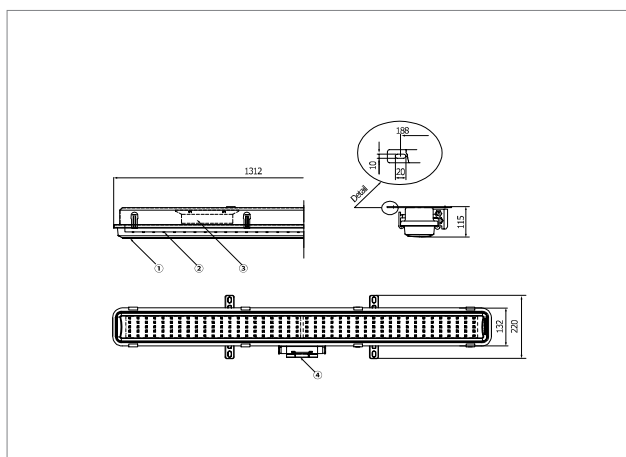
Clear Globe



Milky Globe



Technical Drawing



Specification

| Model No. | Capacity | L(mm) | W(mm) | H(mm) | Weight(kg) | Remarks |
|-------------------------------------|----------|-------|-------|-------|------------|-----------|
| LEB225WS-1250S | 40 W | 1312 | 220 | 115 | 5.5 | Emergency |
| » Equivalent to FL. lamp (36 W x 2) | | | | | | |

NEW LED Lighting Solution Performance Improved

LED Surface Ceiling Light

LEB125WS-U

Protection degree IP67

Materials

- Body : Stainless steel sheet deep drawn
- Globe : Polycarbonate
- Latch : Stainless steel

Finish

- Body : White epoxy powder coat and Stove enameled (Munsell No.N-9.3)

Ambient Temperature

- -30 °C ~ +45 °C

Electrical

- AC 100 ~ 240 V, 50/60 Hz
- Power Consumption : 20 W

Luminous Efficacy

- 143 lm/W

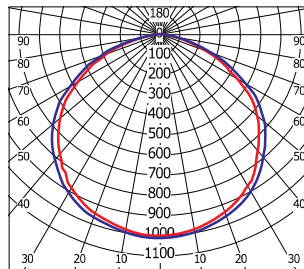
Warranty Period

- 5 years (@ Ambient Temp. 45 °C)
(Lifespan : 10 years @ Ambient Temp. 25 °C)

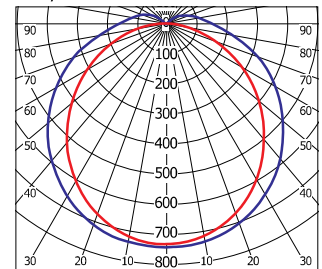


Light Distribution Curve

Clear Globe

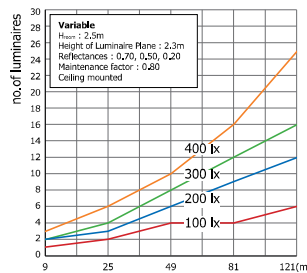


Milky Globe

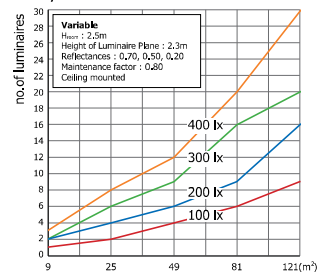


Recommended number of luminaire (Base on empty room)

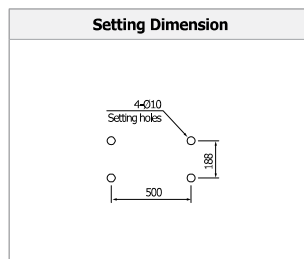
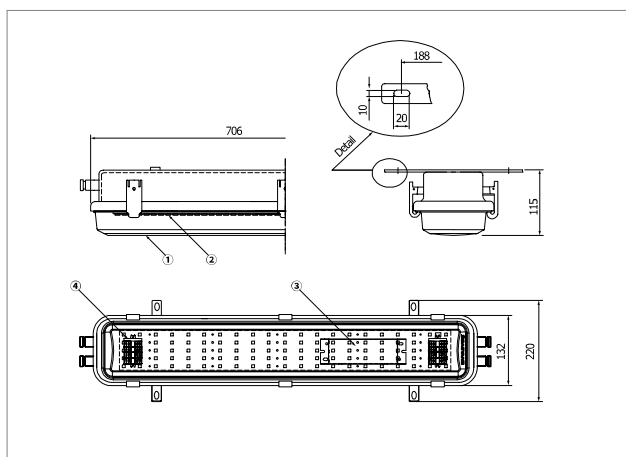
Clear Globe



Milky Globe



Technical Drawing



Specification

| Model No. | Capacity | L(mm) | W(mm) | H(mm) | Weight(kg) | Remarks |
|-----------------------|----------|-------|-------|-------|------------|--|
| LEB125WS-0250U | 20 W | 706 | 220 | 115 | 4.5 | » Equivalent to FL. lamp (18 W x 2) |
| LEB125WS-1250U | 20 W | 706 | 220 | 115 | 4.5 | Emergency » Equivalent to FL. lamp (18 W x 2) |

NEW LED Lighting Solution Performance Improved

LED Surface Ceiling Light

LEB225WS-U

Protection degree IP67

Materials

- Body : Stainless steel sheet deep drawn
- Globe : Polycarbonate
- Latch : Stainless steel

Finish

- Body : White epoxy powder coat and Stove enameled (Munsell No.N-9.3)

Ambient Temperature

- -30 °C ~ +45 °C

Electrical

- AC 100 ~ 240 V, 50/60 Hz
- Power Consumption : 40 W

Luminous Efficacy

- 147 lm/W

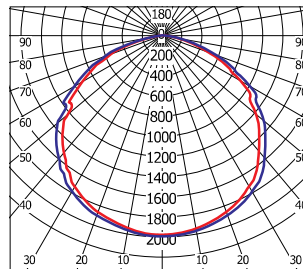
Warranty Period

- 5 years (@ Ambient Temp. 45 °C)
(Lifespan : 10 years @ Ambient Temp. 25 °C)

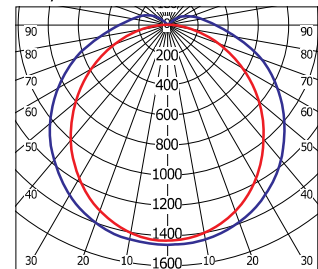


Light Distribution Curve

Clear Globe

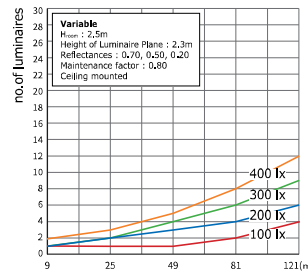


Milky Globe

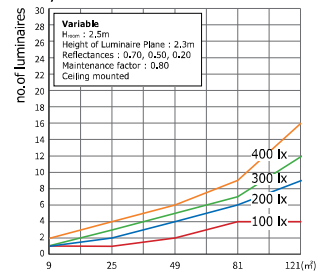


Recommended number of luminaire (Base on empty room)

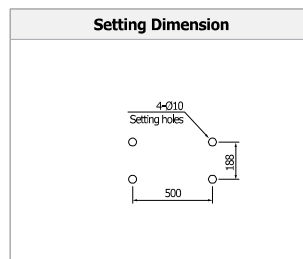
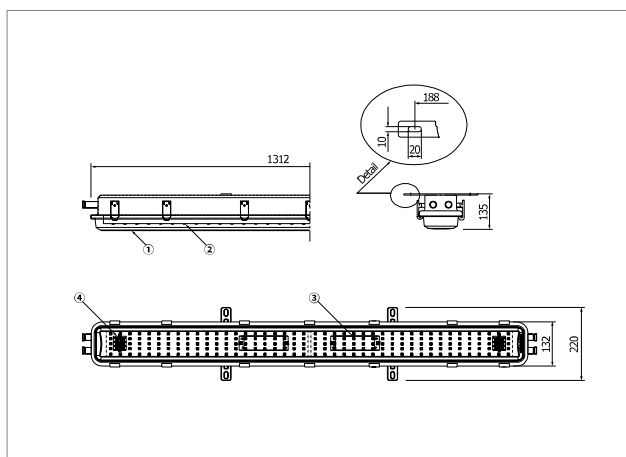
Clear Globe



Milky Globe



Technical Drawing



Specification

| Model No. | Capacity | L(mm) | W(mm) | H(mm) | Weight(kg) | Remarks |
|----------------|----------|-------|-------|-------|------------|-------------------------------------|
| LEB225WS-0250U | 40 W | 1312 | 220 | 115 | 7.7 | » Equivalent to FL. lamp (36 W x 2) |
| LEB225WS-1250U | 40 W | 1312 | 220 | 115 | 7.7 | Emergency |
| | | | | | | » Equivalent to FL. lamp (36 W x 2) |

NEW LED Lighting Solution Performance Improved

LED Surface Ceiling Light

LEB125WSO-S

Protection degree IP56

Materials

- Body : Electro zinc coated steel sheet deep drawn
- Globe : Polycarbonate
- Latch : Stainless steel

Finish

- Body : White epoxy powder coat and Stove enameled (Munsell No.N-9.3)

Optics

- Built-in Optical Lens

Ambient Temperature

- -30 °C ~ +45 °C

Electrical

- AC 100 ~ 240 V, 50/60 Hz
- Power Consumption : 20 W

Luminous Efficacy ▪ 140 lm/W

Luminous Flux ▪ 2,530 lm

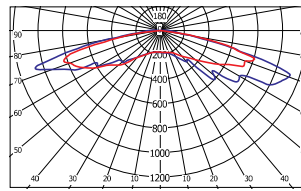
Warranty Period

- 5 years (@ Ambient Temp. 45 °C)
(Lifespan : 10 years @ Ambient Temp. 25 °C)

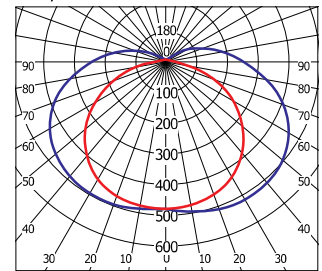


Light Distribution Curve

Clear Globe

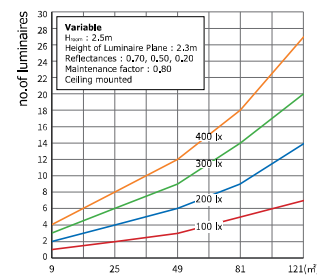


Milky Globe

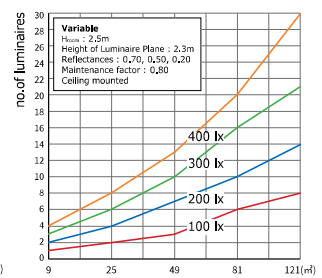


Recommended number of luminaire (Base on empty room)

Clear Globe



Milky Globe

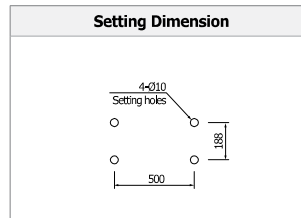
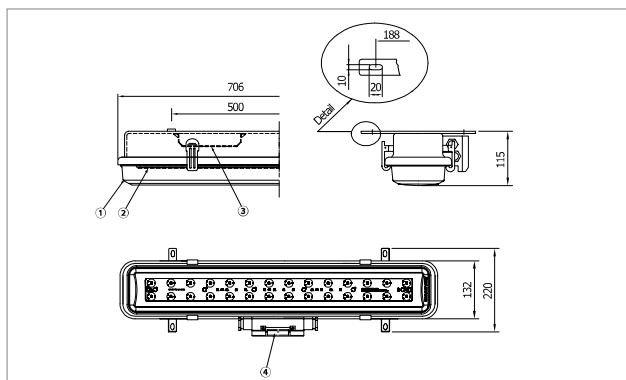


Terminal Box



Coaming

Technical Drawing



Specification

| Model No. | Capacity | L(mm) | W(mm) | H(mm) | Weight(kg) | Remarks |
|-----------------|-------------------------------------|-------|-------|-------|------------|-----------|
| LEB125WSO-0250S | 20 W | 706 | 220 | 115 | 3.1 | |
| | » Equivalent to FL. lamp (18 W x 2) | | | | | |
| LEB125WSO-1250S | 20 W | 706 | 220 | 115 | 3.1 | Emergency |
| | » Equivalent to FL. lamp (18 W x 2) | | | | | |

NEW LED Lighting Solution Performance Improved

LED Surface Ceiling Light

LEB225WSO-S

Protection degree IP56

Materials

- Body : Electro zinc coated steel sheet deep drawn
- Globe : Polycarbonate
- Latch : Stainless steel

Finish

- Body : White epoxy powder coat and Stove enameled (Munsell No.N-9.3)

Optics

- Built-in Optical Lens

Ambient Temperature

- -30 °C ~ +45 °C

Electrical

- AC 100 ~ 240 V, 50/60 Hz
- Power Consumption : 40 W

Luminous Efficacy ▪ 138 lm/W

Luminous Flux ▪ 5,030 lm

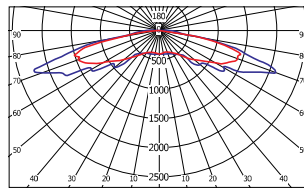
Warranty Period

- 5 years (@ Ambient Temp. 45 °C)
(Lifespan : 10 years @ Ambient Temp. 25 °C)

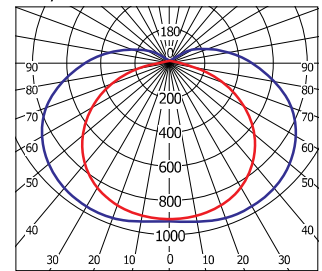


Light Distribution Curve

Clear Globe

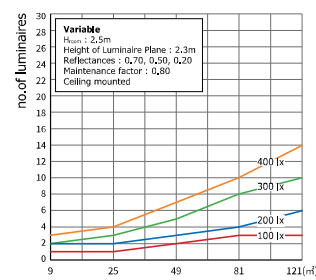


Milky Globe

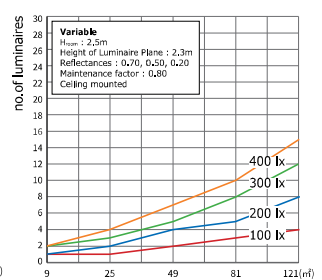


Recommended number of luminaire (Base on empty room)

Clear Globe



Milky Globe

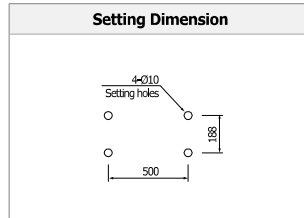
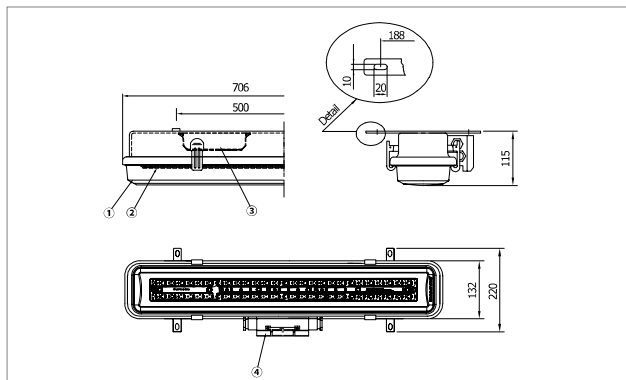


Terminal Box



Coaming

Technical Drawing



Specification

| Model No. | Capacity | L(mm) | W(mm) | H(mm) | Weight(kg) | Remarks |
|-----------------|-------------------------------------|-------|-------|-------|------------|-----------|
| LEB225WSO-0250S | 40 W | 706 | 220 | 115 | 3.1 | |
| | » Equivalent to FL lamp (36 W x 2) | | | | | |
| LEB225WSO-1250S | 40 W | 706 | 220 | 115 | 3.1 | Emergency |
| | » Equivalent to FL. lamp (36 W x 2) | | | | | |

NEW LED Lighting Solution Performance Improved

LED Surface Ceiling Light

LEB125WSO-U

Protection degree IP67

Materials

- Body : Stainless steel sheet deep drawn
- Globe : Polycarbonate
- Latch : Stainless steel

Finish

- Body : White epoxy powder coat and Stove enameled (Munsell No.N-9.3)

Optics

- Built-in Optical Lens

Ambient Temperature

- -30 °C ~ +45 °C

Electrical

- AC 100 ~ 240 V, 50/60 Hz
- Power Consumption : 20 W

Luminous Efficacy ▪ 140 lm/W

Luminous Flux ▪ 2,530 lm

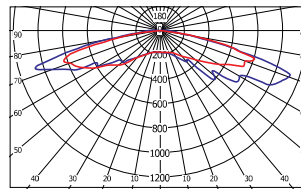
Warranty Period

- 5 years (@ Ambient Temp. 45 °C)
(Lifespan : 10 years @ Ambient Temp. 25 °C)

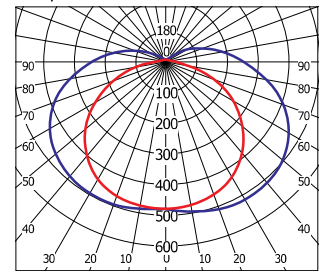


Light Distribution Curve

Clear Globe

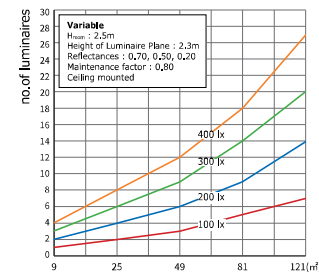


Milky Globe

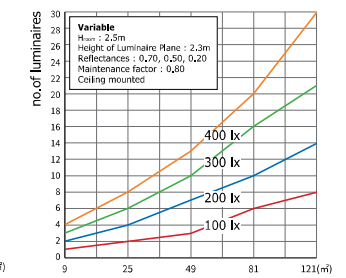


Recommended number of luminaire (Base on empty room)

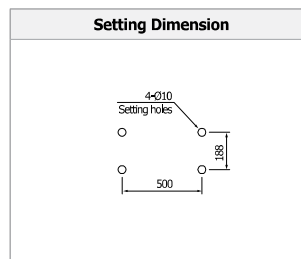
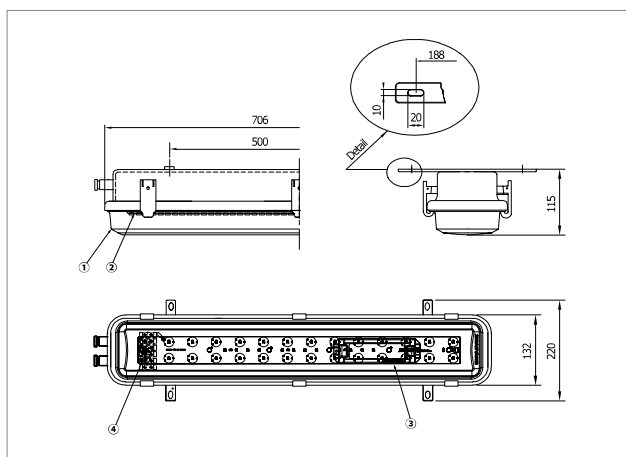
Clear Globe



Milky Globe



Technical Drawing



Specification

| Model No. | Capacity | L(mm) | W(mm) | H(mm) | Weight(kg) | Remarks |
|-----------------|-------------------------------------|-------|-------|-------|------------|-----------|
| LEB125WSO-0250U | 20 W | 706 | 220 | 115 | 3.1 | |
| | » Equivalent to FL. lamp (18 W x 2) | | | | | |
| LEB125WSO-1250U | 20 W | 706 | 220 | 115 | 3.1 | Emergency |
| | » Equivalent to FL. lamp (18 W x 2) | | | | | |

NEW LED Lighting Solution Performance Improved

LED Surface Ceiling Light

LEB225WSO-U

Protection degree IP67

Materials

- Body : Stainless steel sheet deep drawn
- Globe : Polycarbonate
- Latch : Stainless steel

Finish

- Body : White epoxy powder coat and Stove enameled (Munsell No.N-9.3)

Optics

- Built-in Optical Lens

Ambient Temperature

- -30 °C ~ +45 °C

Electrical

- AC 100 ~ 240 V, 50/60 Hz
- Power Consumption : 40 W

Luminous Efficacy ▪ 138 lm/W

Luminous Flux ▪ 5,030 lm

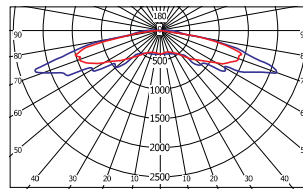
Warranty Period

- 5 years (@ Ambient Temp. 45 °C)
(Lifespan : 10 years @ Ambient Temp. 25 °C)

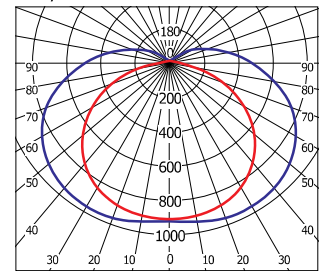


Light Distribution Curve

Clear Globe

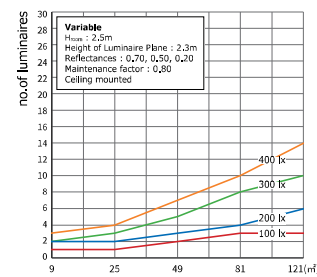


Milky Globe

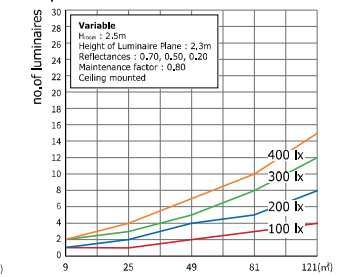


Recommended number of luminaire (Base on empty room)

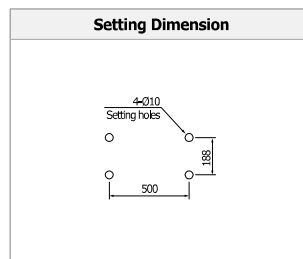
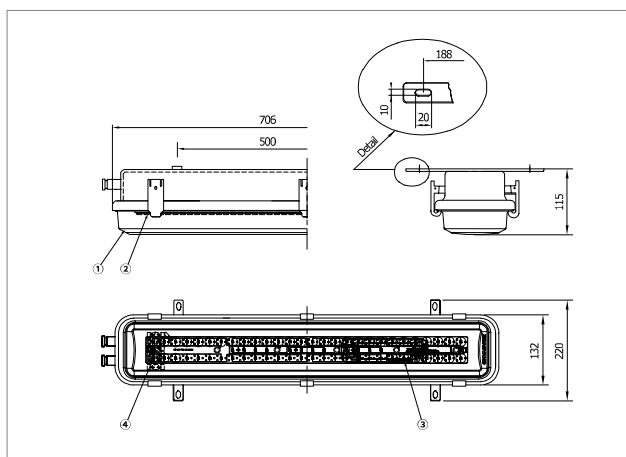
Clear Globe



Milky Globe



Technical Drawing



Specification

| Model No. | Capacity | L(mm) | W(mm) | H(mm) | Weight(kg) | Remarks |
|-----------------|-------------------------------------|-------|-------|-------|------------|-----------|
| LEB225WSO-0250U | 40 W | 706 | 220 | 115 | 3.1 | |
| | » Equivalent to FL. lamp (36 W x 2) | | | | | |
| LEB225WS-1250U | 40 W | 706 | 220 | 115 | 3.1 | Emergency |
| | » Equivalent to FL. lamp (36 W x 2) | | | | | |

LED LIGHTING UPGRADE

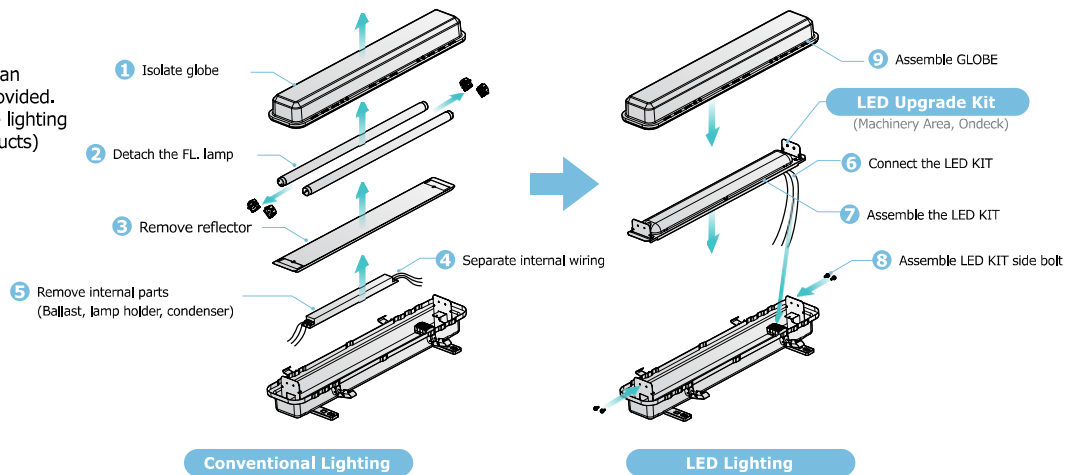


DAEYANG LED Upgrade Kit QR Code
You can see more detailed information about our products take a QR.



1. Easy Replacement

Easy replacement via minimal human resources with a simple method provided. (Applicable to all Daeyang WS-type lighting and to selected other makers' products)



2. Cost-Effective

Replace fluorescent lights with LED lighting at an affordable price using the LED Upgrade Kit.

| Type | FL | LED KIT |
|-----------------------|----------------|----------------|
| FSRU | 396,664 | 209,227 |
| PCTC | 161,655 | 85,193 |
| LPG | 163,114 | 86,173 |
| CONTAINER SHIP | 276,357 | 146,902 |

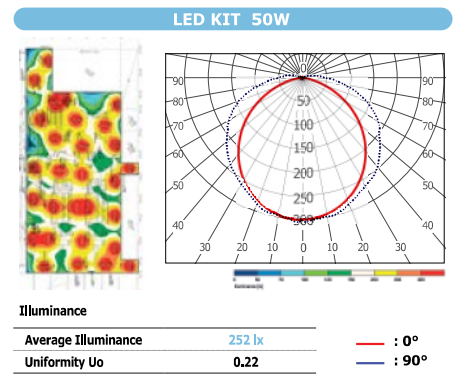
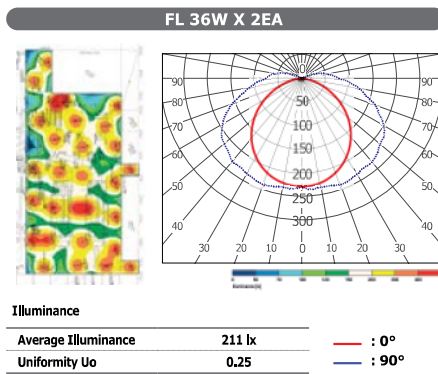
kWh

approximately
47% Energy saving

Economic Comparison Based on Simulation Data

The LED Upgrade Kit achieves a broad light distribution similar to that of fluorescent lights, resulting in a 13% increase in total luminous flux under the same conditions.

Engine room
Height of luminaire plane : 2.3 m
Reflectances : 0.70, 0.50, 0.20
Maintenance factor : 0.80



3. Quality Control

Daeyang maintains a quality management system to ensure the highest performance.



LED Upgrade Kit

WS KIT-LEB125 WS KIT-LEB225

Application

- Machinery Area, On deck

Materials

- Inner globe : Polycarbonate
- Reflector : Electro zinc coated steel sheet

Light Source

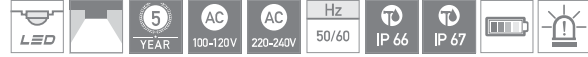
- LED Module Type : 20 W / 40 W
- Color temperature : 3000 K / 4000 K / 5000 K

Electrical

- AC 100~120 V, AC 200~240 V, 50/60 Hz

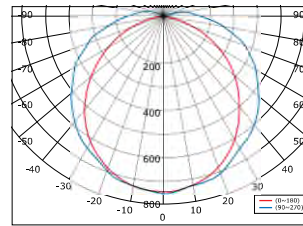
Option

- Battery Back-up
- Emergency : DC 24 V, 5 W

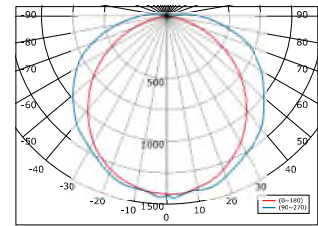


Light Distribution Curve

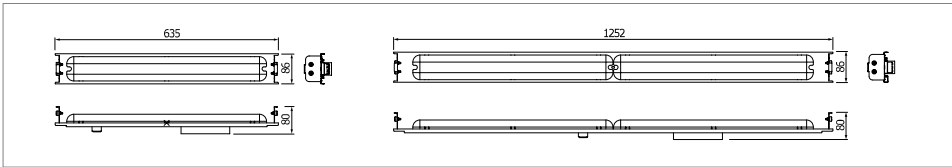
WS KIT-LEB125



WS KIT-LEB225



Technical Drawing



NF KIT-LEA212 NF KIT-LEA225

Application

- Accommodation Area

Materials

- Inner globe : Polycarbonate
- Reflector : Electro zinc coated steel sheet

Light Source

- LED Module Type : 20 W / 40 W
- Color temperature : 3000 K / 4000 K / 5000 K

Electrical

- AC 100~120 V, AC 200~240 V, 50/60 Hz

Option

- Battery Back-up
- Emergency : DC 24 V, 5 W
- Dimming



Specification

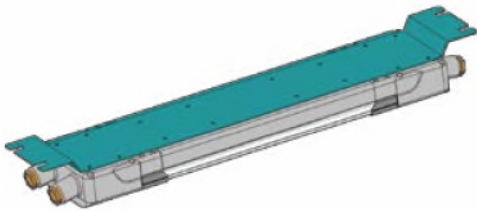
| Model No. | Capacity | L(mm) | W(mm) | H(mm) | Weight(kg) | Remarks |
|---------------|----------|-------|-------|-------|------------|---------|
| WS KIT-LEB125 | 20 W | 655 | 86 | 69 | 1 | |
| WS KIT-LEB225 | 40 W | 1263 | 86 | 69 | 1.6 | |
| NF KIT-LEA212 | 20 W | 600 | 200 | 58 | 1.7 | |
| NF KIT-LEA225 | 40 W | 1210 | 200 | 58 | 3.1 | |

NEW LED Ceiling Lighting A1 Series

LED Ceiling Lighting A1 Series

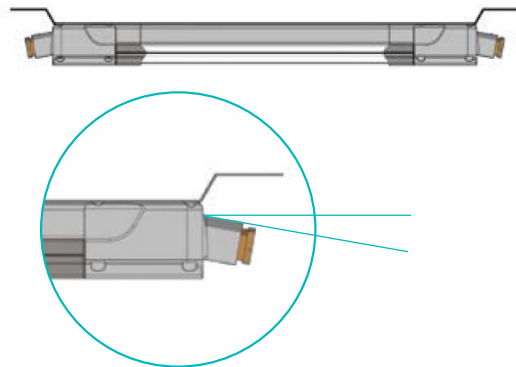


Various Mounting Type



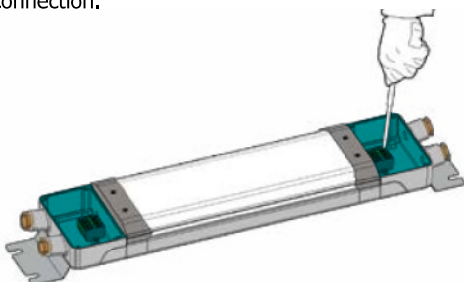
Improved Cable Gland

Cable glands are tilted downward by 10 degrees that water does not enter through cable.



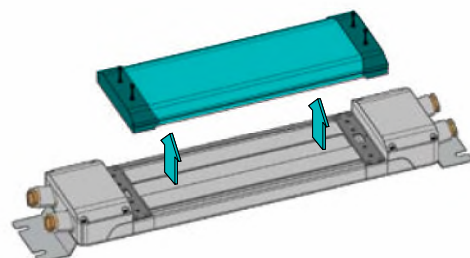
Easy Installation

Just open the junction box cover on both sides instead of opening the inside of the luminaire to internal wiring connection.



Easy Replacement & Easy Maintenance

- Easy assembly and disassembly of the LED module
- No power connection required



NEW LED Ceiling Lighting A1 Series

LED Surface Ceiling Light

LEB120WSA

Protection degree IP 66 / IP 67

Materials

- Body : Polycarbonate (White)
- Globe : Polycarbonate
- Frame : Stainless steel 316

Finish

- Frame : White epoxy powder coat and Stove enamelled (Munsell No. N-9.3)

Light Source

- Top View LED : 20 W

Electrical

- AC 220 ~ 240 V, 50/60 Hz
- Ambient Temperature : -25 °C ~ 55 °C
- Power consumption : 20 W

Option

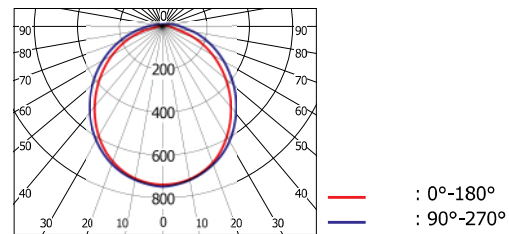
- Dimming
- 2~6 cable glangs M24 (cable diameter : 8~17mm)

Warranty Period

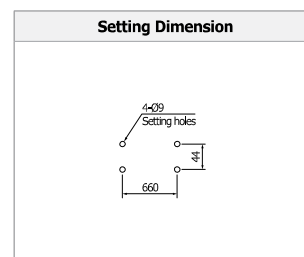
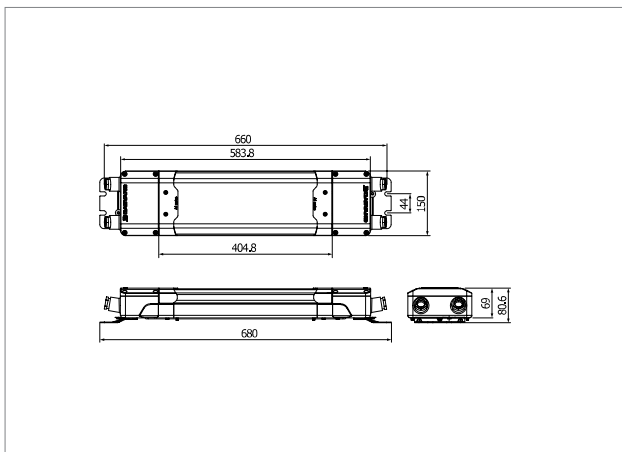
- 5 years



Light Distribution Curve



Technical Drawing



Specification

| Model No. | Capacity | L(mm) | W(mm) | H(mm) | Weight(kg) | Remarks |
|-----------|----------|-------|-------|-------|------------|---------|
| LEB120WSA | 20 W | 680 | 150 | 80,6 | 3,5 | RMRS |

NEW LED Ceiling Lighting A1 Series

LED Surface Ceiling Light

LEB140WSA

Protection degree IP 66 / IP 67

Materials

- Body : Polycarbonate (White)
- Globe : Polycarbonate
- Frame : Stainless steel 316

Finish

- Frame : White epoxy powder coat and Stove enamelled (Munsell No. N-9.3)

Light Source

- Top View LED : 40 W

Electrical

- AC 220 ~ 240 V, 50/60 Hz
- Ambient Temperature : -25 °C ~ 55 °C
- Power consumption : 40 W

Option

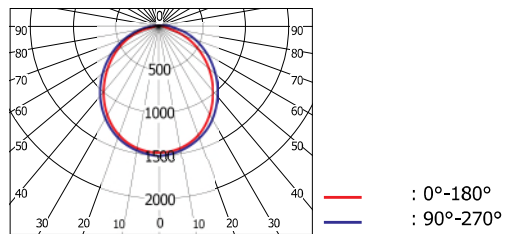
- Dimming
- 2~6 cable glangs M24 (cable diameter : 8~17mm)

Warranty Period

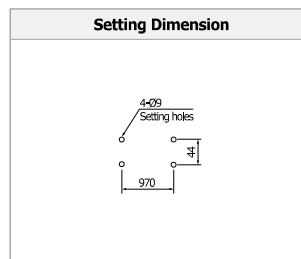
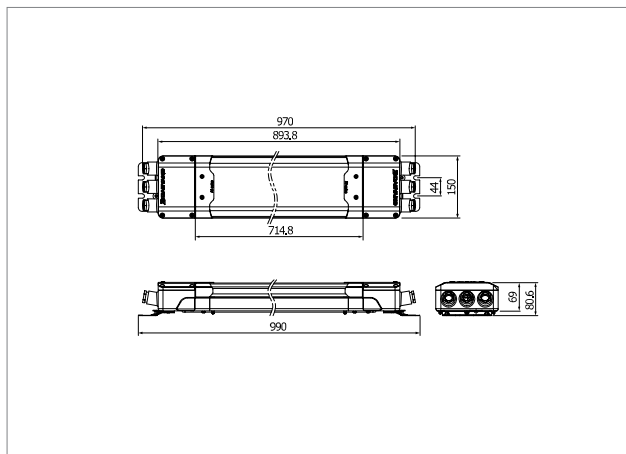
- 5 years



Light Distribution Curve



Technical Drawing



Specification

| Model No. | Capacity | L(mm) | W(mm) | H(mm) | Weight(kg) | Remarks |
|-----------|----------|-------|-------|-------|------------|---------|
| LEB140WSA | 40 W | 990 | 150 | 80.6 | 4.8 | RMRS |

NEW LED Ceiling Lighting A1 Series

LED Surface Ceiling Light

LEB140WSA-Bs



Protection degree IP 66 / IP 67

Materials

- Body : Polycarbonate (White)
- Globe : Polycarbonate
- Frame : Stainless steel 316

Finish

- Frame : White epoxy powder coat and Stove enamelled (Munsell No. N-9.3)

Light Source

- Top View LED : 40 W

Electrical

- AC 220 ~ 240 V, 50/60 Hz
- Ambient Temperature : -25 °C ~ 55 °C
- Power consumption : 40 W

Option

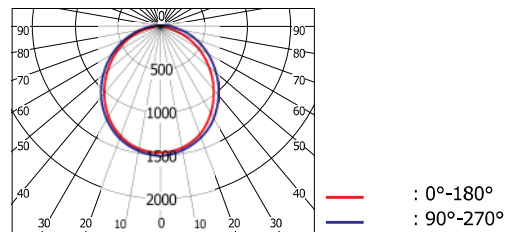
- Dimming
- Battery back-up : 3 hours Standard
- Emergency : DC 24 V, 5 W
- 2~6 cable glangs M24 (cable diameter : 8~17mm)

Warranty Period

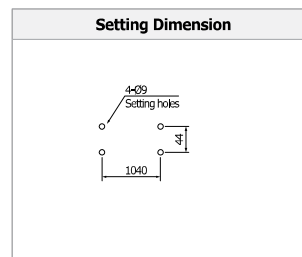
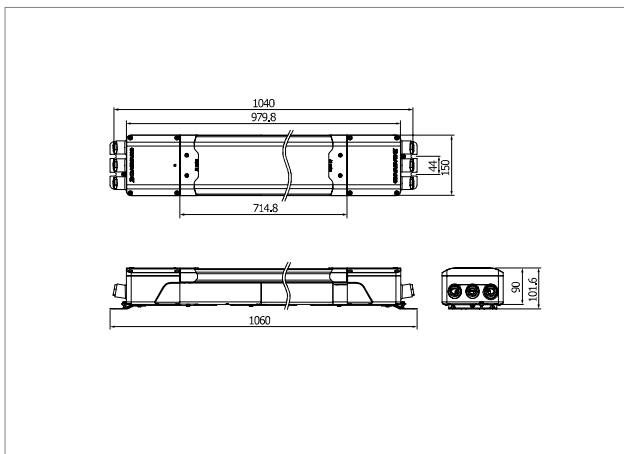
- 5 years



Light Distribution Curve



Technical Drawing



Specification

| Model No. | Capacity | L(mm) | W(mm) | H(mm) | Weight(kg) | Remarks |
|--------------|----------|-------|-------|-------|------------|---------|
| LEB140WSA-Bs | 40 W | 1040 | 150 | 101.6 | 6.7 | RMRS |

LED Surface Ceiling Light

LEB125WS-TH



Protection degree IP44

Materials

- Body: Stainless steel sheet deep drawn
- Globe: Polycarbonate

Finish

- Body: Epoxy powder coat and stove enameled (Munsell No.N-9.3)

Light Source

- Top View LED : 25 W
- Color Temperature : 4,000K / 5,000K / 6,000K
- CRI : 80

Electrical

- AC 100 V ~ AC 240 V, 50/60 Hz
- Operating Temperature Range : -30 °C ~ 45 °C

Luminous Flux

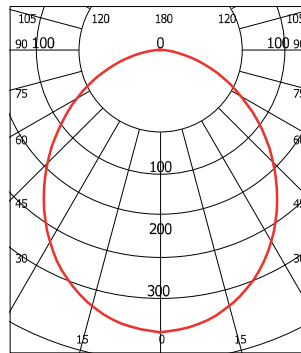
- 2,663 [lm]

Warranty Period

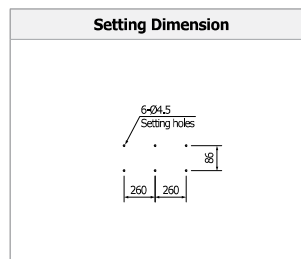
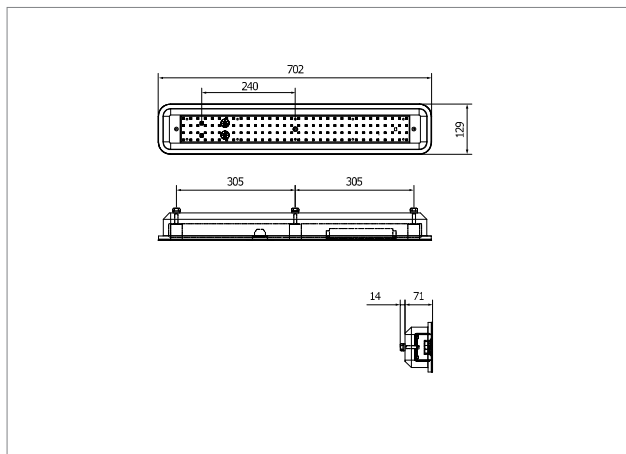
- 5 years



Light Distribution Curve



Technical Drawing



Specification

| Model No. | Capacity | L(mm) | W(mm) | H(mm) | Weight(kg) | Remarks |
|-------------|----------|-------|-------|-------|------------|-------------------------------------|
| LEB125WS-TH | 25 W | 702 | 129 | 85 | 4.0 | » Equivalent to FL. lamp (18 W x 2) |

LED Surface Ceiling Light

LEB225WS-TH



Protection degree IP44

Materials

- Body: Stainless steel sheet deep drawn
- Globe: Polycarbonate

Finish

- Body: Epoxy powder coat and stove enameled (Munsell No.N-9.3)

Light Source

- Top View LED : 50 W
- Color Temperature : 4,000K / 5,000K / 6,000K
- CRI : 80

Electrical

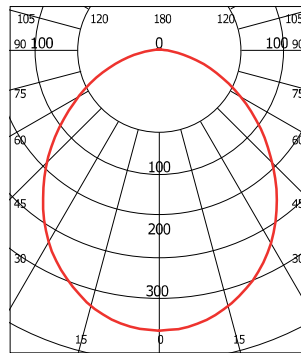
- AC 100 V ~ AC 240 V, 50/60 Hz
- Operating Temperature Range : -30 °C ~ 45 °C

Warranty Period

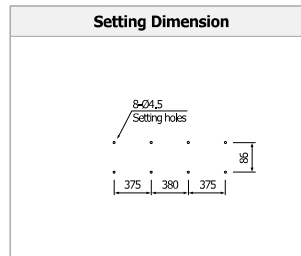
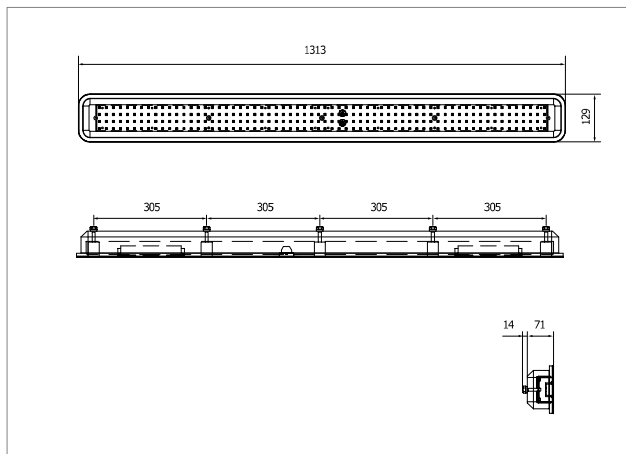
- 5 years



Light Distribution Curve



Technical Drawing



Specification

| Model No. | Capacity | L(mm) | W(mm) | H(mm) | Weight(kg) | Remarks |
|-------------------------------------|----------|-------|-------|-------|------------|---------|
| LEB225WS-TH | 50 W | 1313 | 129 | 85 | 6.5 | |
| » Equivalent to FL. lamp (36 W x 2) | | | | | | |

LED Recessed Ceiling Light

LEB125WF

Protection degree IP44

Materials

- Body: Electro zinc coated steel sheet
- Globe: Opal Acryl

Finish

- Body: White epoxy powder coat and stove enameled (Munsell No.N-9.3)

Light Source

- Top View LED : 25 W

Electrical

- AC 220 ~ 240 V, 50/60 Hz
- Ambient Temperature : -30 °C ~ 45 °C

Option

- AC 100 ~ 277 V, 50/60 Hz

Luminous Flux

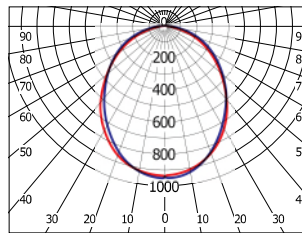
- 2341.43 [lm]

Warranty Period

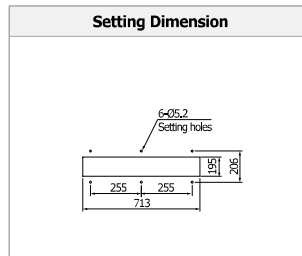
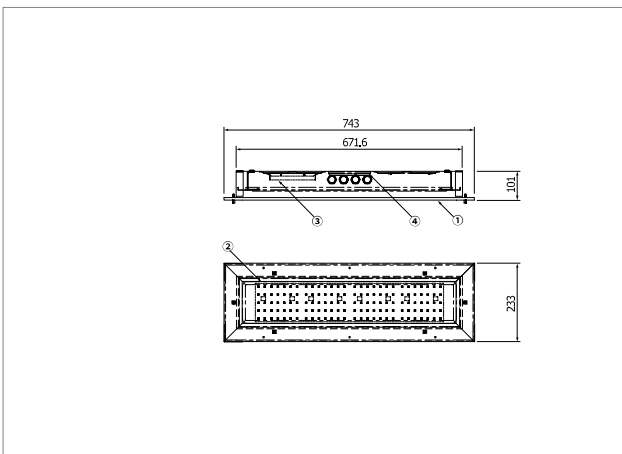
- 5 years



Light Distribution Curve



Technical Drawing



Specification

| Model No. | Capacity | L(mm) | W(mm) | H(mm) | Weight(kg) | Remarks |
|------------|----------|-------|-------|-------|------------|-------------------------------------|
| LEB125WF-S | 25 W | 743 | 233 | 117 | 6.80 | » Equivalent to FL. Lamp (18 W x 2) |

LED Recessed Ceiling Light

LEB225WF

Protection degree IP44

Materials

- Body: Electro zinc coated steel sheet
- Globe: Opal Acryl

Finish

- Body: White epoxy powder coat and stove enameled (Munsell No.N-9.3)

Light Source

- Top View LED : 50 W

Electrical

- AC 220 ~ 240 V, 50/60 Hz
- Ambient Temperature : -30 °C ~ 45 °C

Option

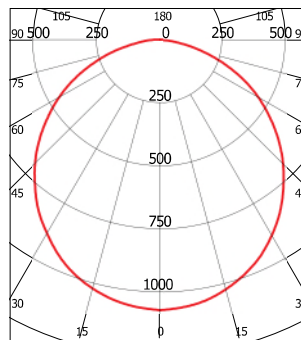
- AC 100 ~ 277 V, 50/60 Hz

Warranty Period

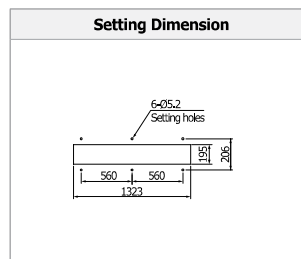
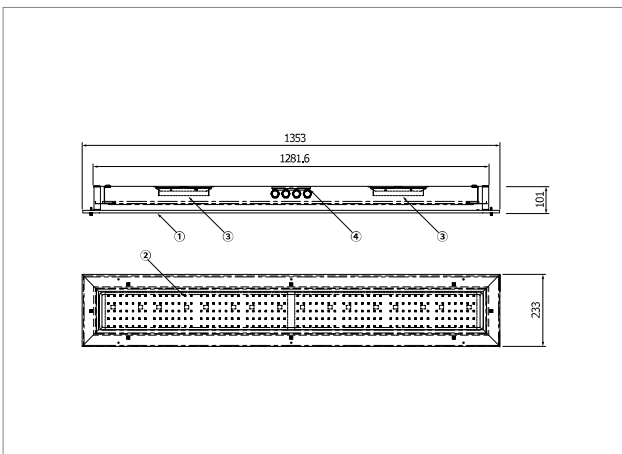
- 5 years



Light Distribution Curve



Technical Drawing



Specification

| Model No. | Capacity | L(mm) | W(mm) | H(mm) | Weight(kg) | Remarks |
|-------------------------------------|----------|-------|-------|-------|------------|---------|
| LEB225WF-S | 50 W | 1353 | 233 | 117 | 9.41 | |
| » Equivalent to FL. lamp (36 W x 2) | | | | | | |

LED Decorative Recessed Ceiling Light

LEB124NF-S



Protection degree IP20

Materials

- Body: Electro zinc coated steel sheet
- Globe: Polycarbonate

Finish

- Body: Epoxy powder coat and stove enameled (Munsell No.N-9.3)

Light Source

- Top View LED : 24 W

Electrical

- AC 220 ~ 240 V, 50/60 Hz
- Ambient Temperature : -30 °C ~ 45 °C

Option

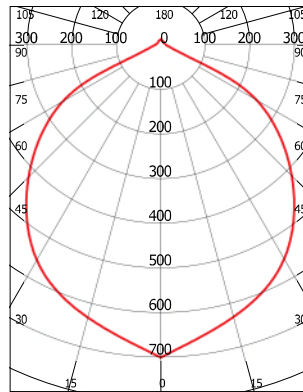
- AC 100 ~ 277 V, 50/60 Hz

Warranty Period

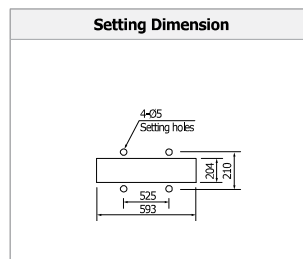
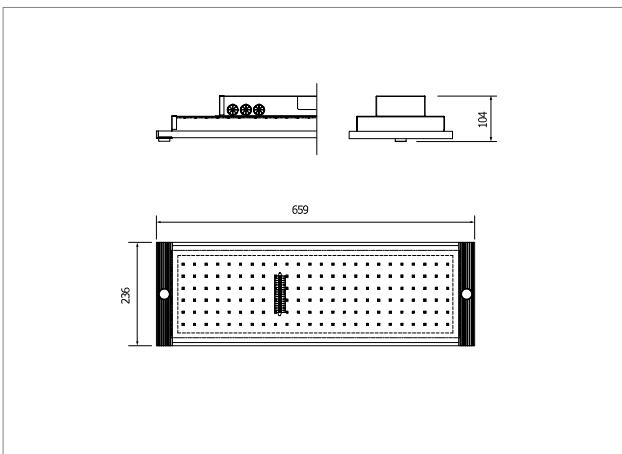
- 5 years



Light Distribution Curve



Technical Drawing



Specification

| Model No. | Capacity | L(mm) | W(mm) | H(mm) | Weight(kg) | Remarks |
|-------------------------------------|----------|-------|-------|-------|------------|---------|
| LEB124NF-0550S | 24 W | 771 | 236 | 104 | 3.6 | |
| » Equivalent to FL. Lamp (18 W x 2) | | | | | | |

LED Decorative Recessed Ceiling Light

LEB224NF-S



Protection degree IP20

Materials

- Body: Electro zinc coated steel sheet
- Globe: Polycarbonate

Finish

- Body: Epoxy powder coat and stove enameled (Munsell No.N-9.3)

Light Source

- Top View LED : 48 W

Electrical

- AC 220 ~ 240 V, 50/60 Hz
- Ambient Temperature : -30 °C ~ 45 °C

Option

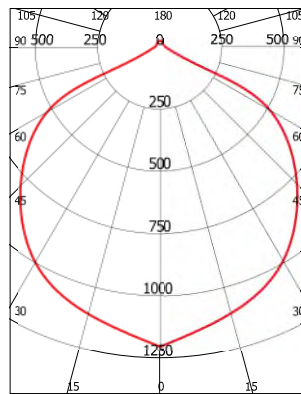
- AC 100 ~ 277 V, 50/60 Hz

Warranty Period

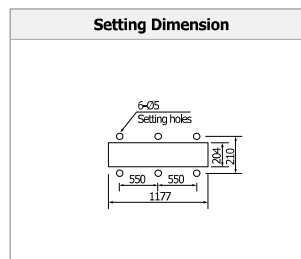
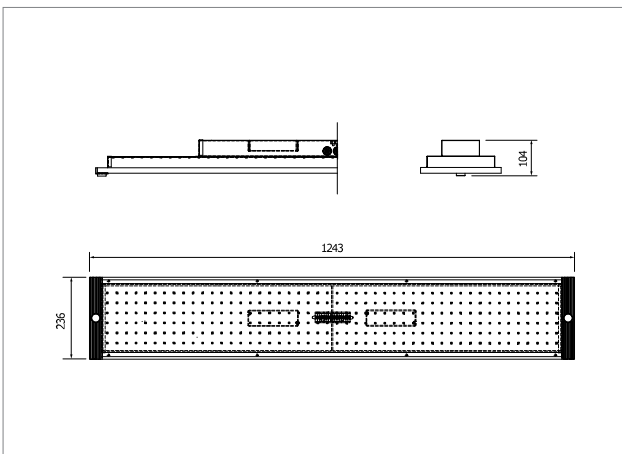
- 5 years



Light Distribution Curve



Technical Drawing



Specification

| Model No. | Capacity | L(mm) | W(mm) | H(mm) | Weight(kg) | Remarks |
|-------------------------------------|----------|-------|-------|-------|------------|---------|
| LEB224NF-0550S | 48 W | 1403 | 236 | 104 | 7.0 | |
| » Equivalent to FL. lamp (36 W x 2) | | | | | | |

LED Recessed Ceiling Light (No Gap Type)

LEB128NF-SN-A



Protection degree IP20

Materials

- Body: Electro zinc coated steel sheet
- Globe: Polycarbonate

Finish

- Body: Epoxy powder coat and stove enameled (Munsell No.N-9.3)

Light Source

- Top View LED : 28 W

Electrical

- AC 220 ~ 240 V, 50/60 Hz
- Ambient Temperature : -30 °C ~ 45 °C
- Fire protection degree : B15

Option

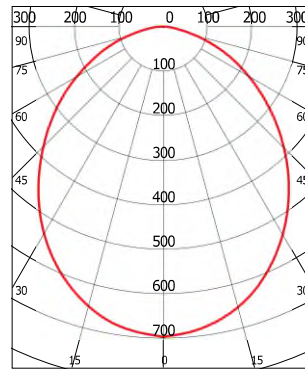
- AC 100 ~ 277 V, 50/60 Hz

Warranty Period

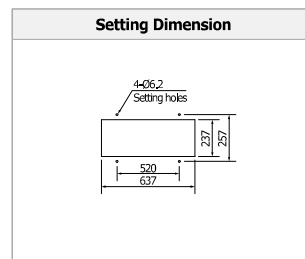
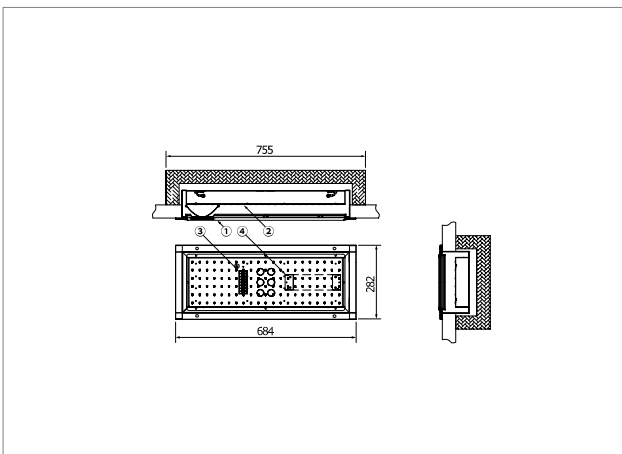
- 5 years



Light Distribution Curve



Technical Drawing



Specification

| Model No. | Capacity | L(mm) | W(mm) | H(mm) | Weight(kg) | Remarks |
|-------------------------|----------|-------|-------|-------|------------|---------|
| LEB128NF-0550SNC50-B15A | 28 W | 684 | 282 | 100 | 3.6 | |

LED Recessed Ceiling Light (No Gap Type)

LEB228NF-SN-A

Protection degree IP20

Materials

- Body: Electro zinc coated steel sheet
- Globe: Polycarbonate

Finish

- Body: Epoxy powder coat and stove enameled (Munsell No.N-9.3)

Light Source

- Top View LED : 56 W

Electrical

- AC 220 ~ 240 V, 50/60 Hz
- Ambient Temperature : -30 °C ~ 45 °C
- Fire protection degree : B15

Option

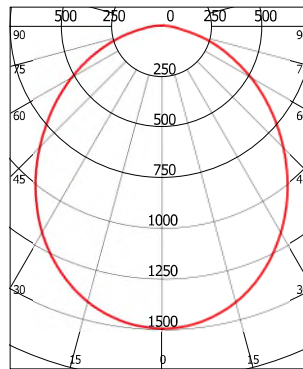
- AC 100 ~ 277 V, 50/60 Hz

Warranty Period

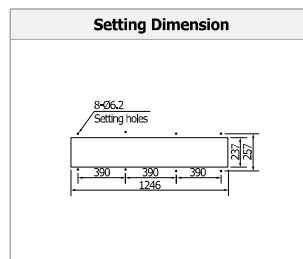
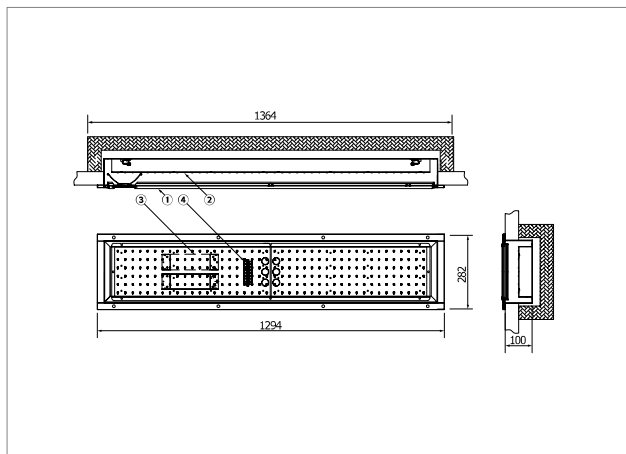
- 5 years



Light Distribution Curve



Technical Drawing



Specification

| Model No. | Capacity | L(mm) | W(mm) | H(mm) | Weight(kg) | Remarks |
|-------------------------|----------|-------|-------|-------|------------|---------|
| LEB228NF-0550SNC50-B15A | 56 W | 1294 | 282 | 100 | 7.0 | |

LED Recessed Ceiling Light (No Gap Type)

LEB225NFO-N

Protection degree IP20

Materials

- Body: Electro zinc coated steel sheet
- Globe: Polycarbonate

Finish

- Body: Epoxy powder coat and stove enameled (Munsell No.N-9.3)

Light Source

- Top View LED : 25 W x 2

Electrical

- AC 220 ~ 240 V, 50/60 Hz
- Ambient Temperature : -30 °C ~ 45 °C
- Fire protection degree : B0, B15

Option

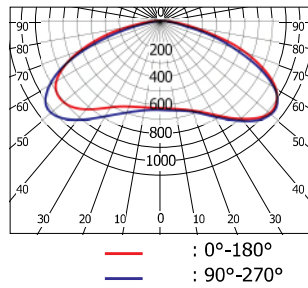
- AC 100 ~ 277 V, 50/60 Hz

Warranty Period

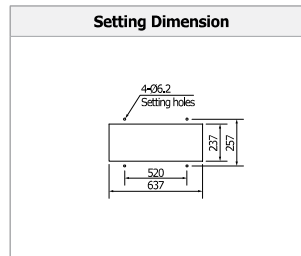
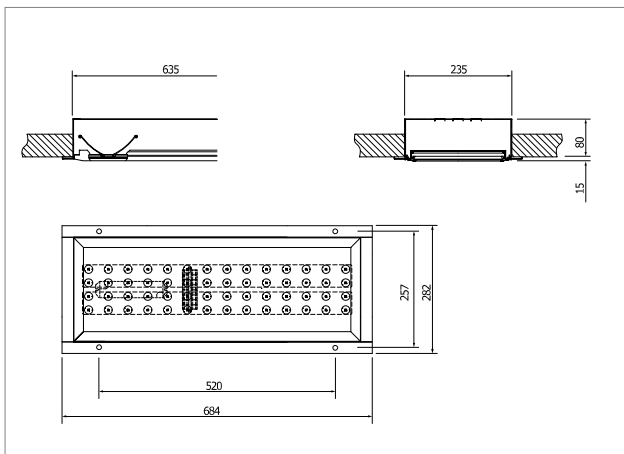
- 5 years



Light Distribution Curve



Technical Drawing



Specification

| Model No. | Capacity | L(mm) | W(mm) | H(mm) | Weight(kg) | Remarks |
|-------------|----------|-------|-------|-------|------------|---------|
| LEB225NFO-N | 25 W x2 | 684 | 282 | 80 | 4.3 | |

LED Surface Ceiling Light

LET211NS



Protection degree IP20

Materials

- Body : Electro zinc coated steel sheet
- Globe : Opal acrylic

Finish

- Body : White epoxy powder coat and stove enameled (Munsell No.N-9.3)

Light Source

- Tubular LED : 11 W

Electrical

- AC 220 ~ 240 V, 50/60 Hz
- Ambient Temperature : -30 °C ~ 45 °C

Option

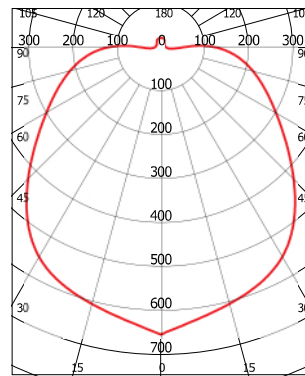
- AC 100 ~ 277 V, 50/60 Hz

Warranty Period

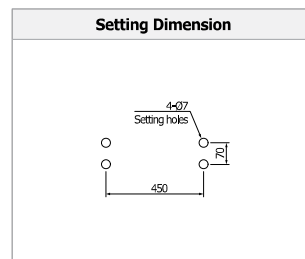
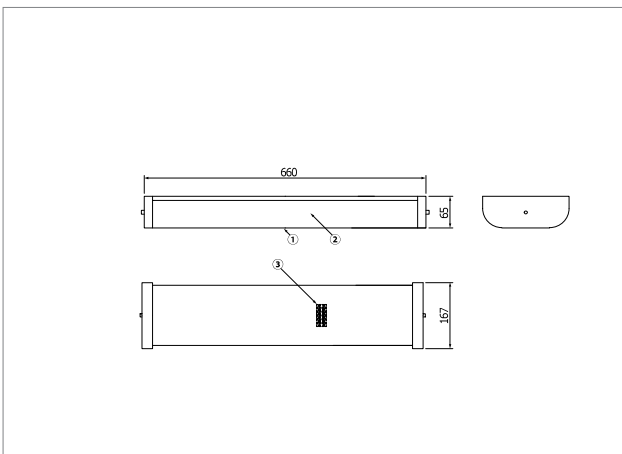
- 5 years



Light Distribution Curve



Technical Drawing



Specification

| Model No. | Capacity | L(mm) | W(mm) | H(mm) | Weight(kg) | Remarks |
|-------------------------------------|----------|-------|-------|-------|------------|---------|
| LET211NS-0550S | 22 W | 660 | 167 | 65 | 4.23 | |
| » Equivalent to FL. Lamp (11 W x 2) | | | | | | |

LED Surface Ceiling Light

LET219NS

Protection degree IP20

Materials

- Body : Electro zinc coated steel sheet
- Globe : Opal acryl

Finish

- Body : White epoxy powder coat and stove enameled (Munsell No.N-9.3)

Light Source

- Tubular LED : 19 W

Electrical

- AC 220 ~ 240 V, 50/60 Hz
- Ambient Temperature : -30 °C ~ 45 °C

Option

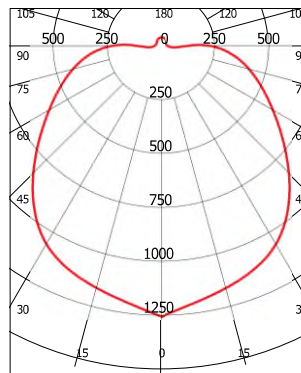
- AC 100 ~ 277 V, 50/60 Hz

Warranty Period

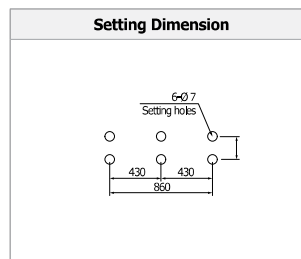
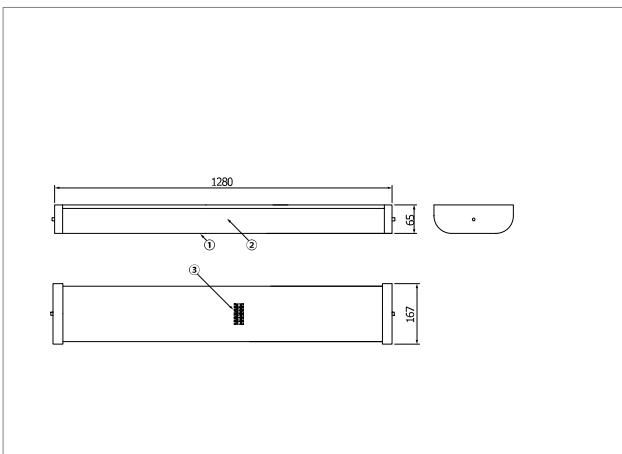
- 5 years



Light Distribution Curve



Technical Drawing



Specification

| Model No. | Capacity | L(mm) | W(mm) | H(mm) | Weight(kg) | Remarks |
|-------------------------------------|----------|-------|-------|-------|------------|---------|
| LET219NS-0550S | 38 W | 1280 | 167 | 65 | 7.33 | |
| » Equivalent to FL. Lamp (19 W x 2) | | | | | | |

LED Recessed Ceiling Light

LEB125NF



Protection degree IP20

Materials

- Body : Electro zinc coated steel sheet
- Globe : Opal acryl

Finish

- Body : White epoxy powder coat and stove enameled (Munsell No.N-9.3)

Light Source

- Top View LED : 25 W

Electrical

- AC 220 ~ 240 V, 50/60 Hz
- Ambient Temperature : -30 °C ~ 45 °C

Option

- AC 100 ~ 277 V, 50/60 Hz

Luminous Flux

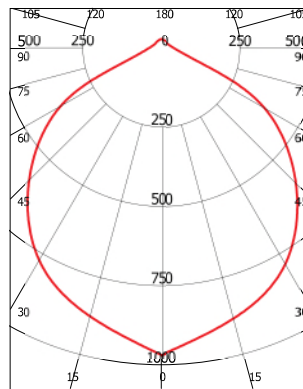
- 3,002 [lm]

Warranty Period

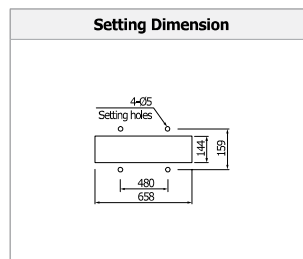
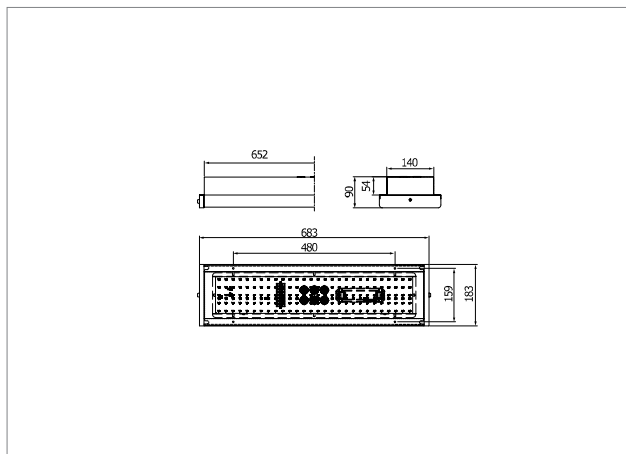
- 5 years



Light Distribution Curve



Technical Drawing



Specification

| Model No. | Capacity | L(mm) | W(mm) | H(mm) | Weight(kg) | Remarks |
|-------------------------------------|----------|-------|-------|-------|------------|---------|
| LEB125NF-0550S | 25 W | 680 | 264 | 100 | 4.5 | |
| » Equivalent to FL. lamp (18 W x 2) | | | | | | |

LED Recessed Ceiling Light

LEB225NF



Protection degree IP20

Materials

- Body : Electro zinc coated steel sheet
- Globe : Opal acryl

Finish

- Body : White epoxy powder coat and stove enameled (Munsell No.N-9.3)

Light Source

- Top View LED : 50 W

Electrical

- AC 220 ~ 240 V, 50/60 Hz
- Ambient Temperature : -30 °C ~ 45 °C

Option

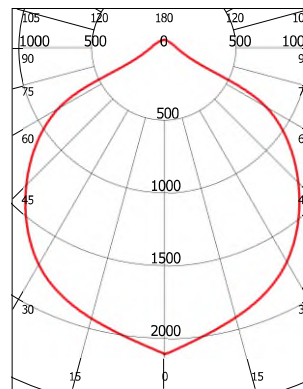
- AC 100 ~ 277 V, 50/60 Hz

Warranty Period

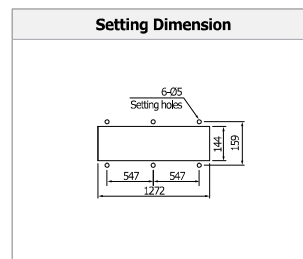
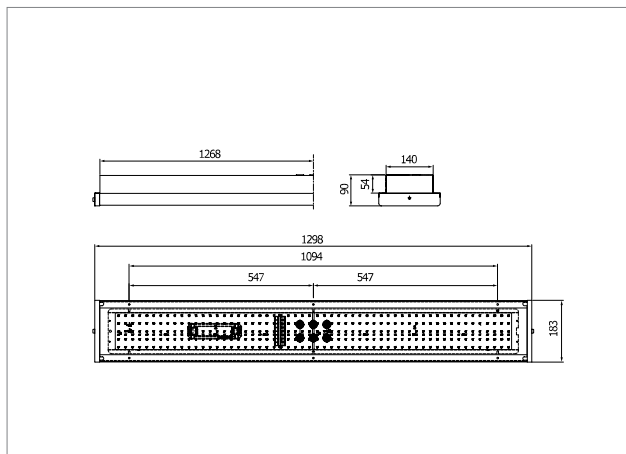
- 5 years



Light Distribution Curve



Technical Drawing



Specification

| Model No. | Capacity | L(mm) | W(mm) | H(mm) | Weight(kg) | Remarks |
|-------------------------------------|----------|-------|-------|-------|------------|---------|
| LEB225NF-0550S | 50 W | 1294 | 264 | 100 | 7.5 | |
| » Equivalent to FL. lamp (36 W x 2) | | | | | | |

LED Decorative Recessed Ceiling Light

LEB407NL



Protection degree IP20

Materials

- Body & flame : Electro zinc coated steel sheet
- Globe : Louver type (Golden & Silver)

Finish

- Body : White epoxy powder coat and stove enameled (Munsell No.N-9.3)

Light Source

- Top View LED : 28 W

Electrical

- AC 220 ~ 240 V, 50/60 Hz
- Ambient Temperature : -30 °C ~ 45 °C

Option

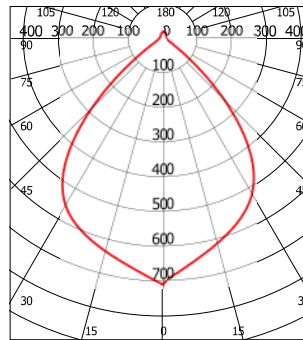
- AC 100 ~ 277 V, 50/60 Hz

Warranty Period

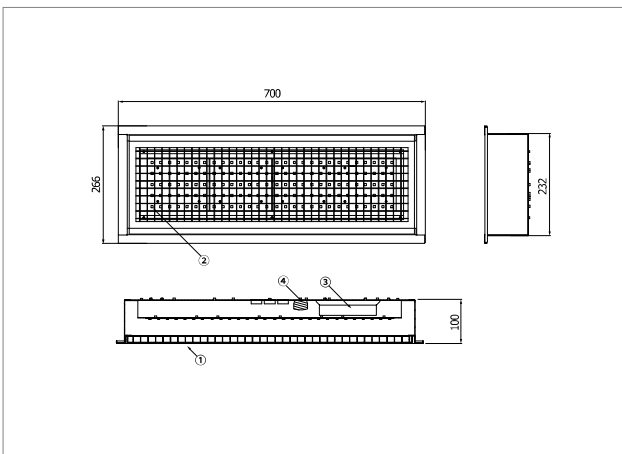
- 5 years



Light Distribution Curve



Technical Drawing



Specification

| Model No. | Capacity | L(mm) | W(mm) | H(mm) | Weight(kg) | Remarks |
|-------------------------------------|----------|-------|-------|-------|------------|---------|
| LEB407NL-0550S | 28 W | 700 | 266 | 100 | 6.88 | |
| » Equivalent to FL. lamp (18 W x 2) | | | | | | |

LED Decorative Recessed Ceiling Light

LEB807NL



Protection degree IP20

Materials

- Body & flame : Electro zinc coated steel sheet
- Globe : Louver type (Golden & Silver)

Finish

- Body : White epoxy powder coat and stove enameled (Munsell No.N-9.3)

Light Source

- Top View LED : 56 W

Electrical

- AC 220 ~ 240 V, 50/60 Hz
- Ambient Temperature : -30 °C ~ 45 °C

Option

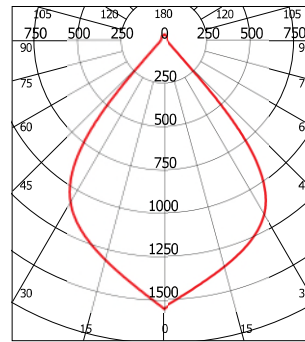
- AC 100 ~ 277 V, 50/60 Hz

Warranty Period

- 5 years



Light Distribution Curve



Specification

| Model No. | Capacity | L(mm) | W(mm) | H(mm) | Weight(kg) | Remarks |
|-------------------------------------|----------|-------|-------|-------|------------|---------|
| LEB807NL-0550S | 56 W | 1302 | 266 | 100 | 9.49 | |
| » Equivalent to FL. lamp (36 W x 2) | | | | | | |

LED Decorative Recessed Ceiling Light

LEB407NT



Protection degree IP20

Materials

- Body & flame : Electro zinc coated steel sheet
- Globe : Opal polycarbonate

Finish

- Body : White epoxy powder coat and stove enameled (Munsell No.N-9.3)

Light Source

- Top View LED : 28 W

Electrical

- AC 220 ~ 240 V, 50/60 Hz
- Ambient Temperature : -30 °C ~ 45 °C

Option

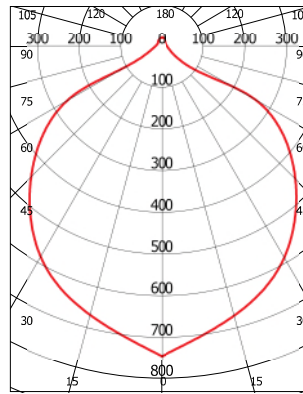
- AC 100 ~ 277 V, 50/60 Hz

Warranty Period

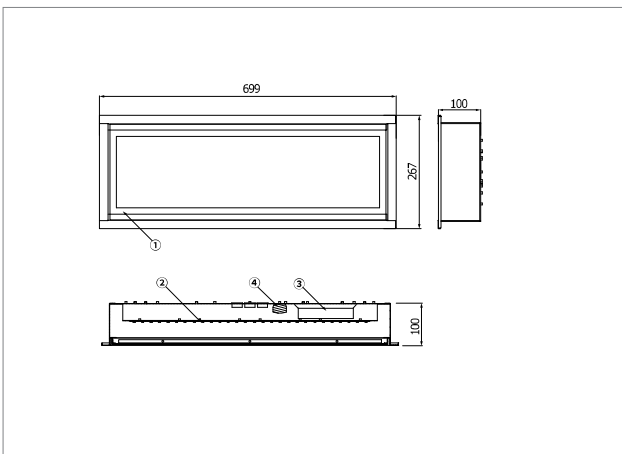
- 5 years



Light Distribution Curve



Technical Drawing



Specification

| Model No. | Capacity | L(mm) | W(mm) | H(mm) | Weight(kg) | Remarks |
|-------------------------------------|----------|-------|-------|-------|------------|---------|
| LEB407NT-0550S | 28 W | 699 | 267 | 100 | 6.88 | |
| » Equivalent to FL. lamp (18 W x 2) | | | | | | |

LED Decorative Recessed Ceiling Light

LEB807NT

Protection degree IP20

Materials

- Body & flame : Electro zinc coated steel sheet
- Globe : Opal polycarbonate

Finish

- Body : White epoxy powder coat and stove enameled (Munsell No.N-9.3)

Light Source

- Top View LED : 56 W

Electrical

- AC 220 ~ 240 V, 50/60 Hz
- Ambient Temperature : -30 °C ~ 45 °C

Option

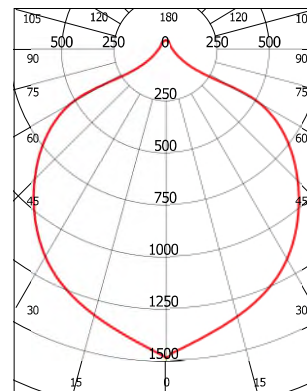
- AC 100 ~ 277 V, 50/60 Hz

Warranty Period

- 5 years



Light Distribution Curve



Specification

| Model No. | Capacity | L(mm) | W(mm) | H(mm) | Weight(kg) | Remarks |
|------------------------------------|----------|-------|-------|-------|------------|---------|
| LEB807NT-0550S | 56 W | 1302 | 267 | 100 | 9.49 | |
| » Equivalent to FL lamp (36 W x 2) | | | | | | |

LED Mirror Light

LEAM110SS-W200

LEAM110SN-W200



LEAM110SS-W200

Protection degree IP44

Materials

- Frame : Aluminum alloy
- Side cover : ABS
- Diffuser : Polycarbonate

Finish

- Frame : White epoxy powder coat and stove enamelled (Munsell No.N-9.3)

Electrical

- AC 220 ~ 240 V, 50/60 Hz
- Ambient Temperature : -25 °C ~ 50 °C
- Power consumption : 12 W

Option

- Power (ON/OFF) switch available
- Color temperature : 3,000K / 5,000K

Luminous Flux

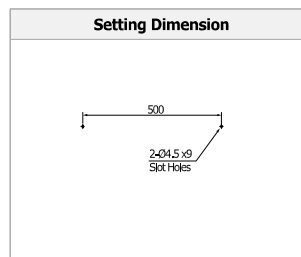
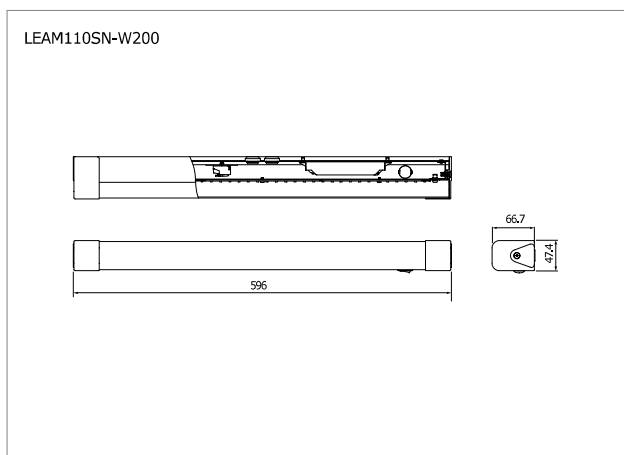
- 1000 [lm]

Warranty Period

- 5 years



Technical Drawing



Specification

| Model No. | Capacity | L(mm) | W(mm) | H(mm) | Weight(kg) | Remarks |
|----------------|----------|-------|-------|-------|------------|-------------|
| LEAM110SS-W200 | 10 W | 596 | 47.4 | 66.7 | 0.75 | with Switch |
| LEAM110SN-W200 | 10 W | 596 | 47.4 | 66.7 | 0.75 | |

LED Bed Light

LEAB106NU2-W550P-D



Protection degree IP20

Materials

- Base : Electro zinc coated steel sheet
- Cover : PA6
- Diffuser : Polycarbonate

Finish

- Base : White epoxy powder coat and stove enamelled (Munsell No.N-9.3)

Light Source

- Power consumption : 6 W

Electrical

- AC 110 ~ 240 V, 50/60 Hz
- Ambient Temperature : -25 °C ~ 45 °C
- Lumen flux : 450 [lm]

Option

- Dimmable Power (ON/OFF) switch available
- Color temperature : 3,000K / 5,000K
- USB port : 5V/2A

Luminous Flux

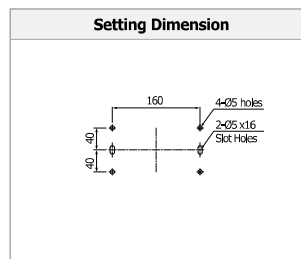
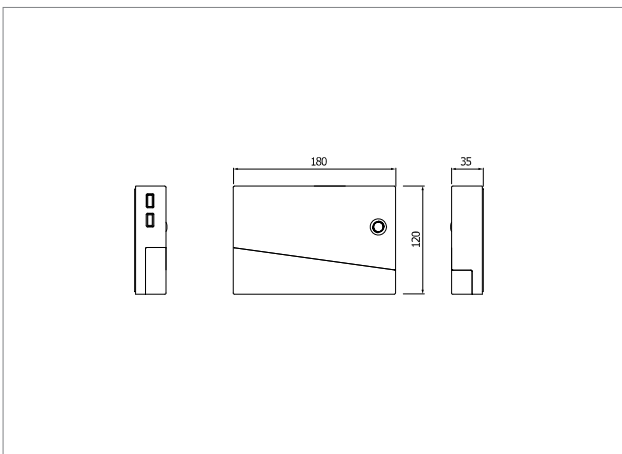
- 383.12 [lm]

Warranty Period

- 5 years



Technical Drawing



Specification

| Model No. | Capacity | L(mm) | W(mm) | H(mm) | Weight(kg) | Remarks |
|--------------------|----------|-------|-------|-------|------------|---------|
| LEAB106NU2-W550P-D | 6 W | 180 | 120 | 35 | - | |

LED Corner Light

LEBN116NS



Protection degree IP20

Materials

- Body : Electro zinc coated steel sheet
- Globe : Opal acryl

Finish

- Body : White epoxy powder coat and stove enameled (Munsell No. N-9.3)

Equipment

- Top View LED : 16 W

Electrical

- AC 220 ~ 240 V, 50/60 Hz
- Ambient Temperature : -30 °C ~ 45 °C

Option

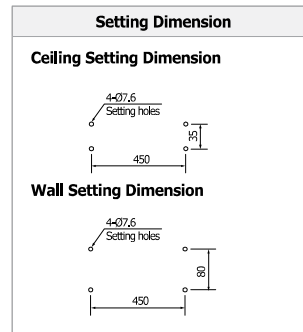
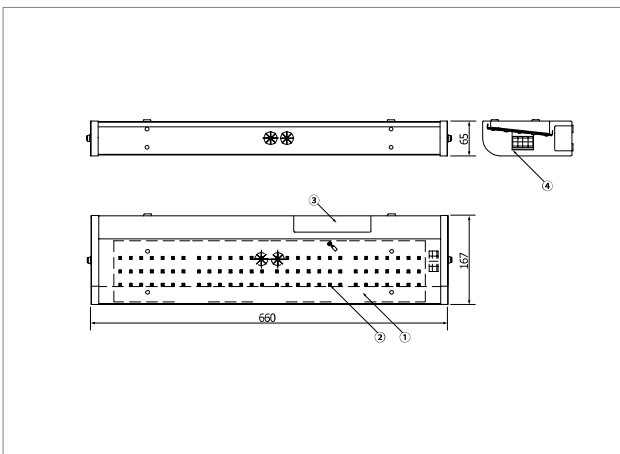
- AC 100 ~ 277 V, 50/60 Hz

Warranty Period

- 5 years



Technical Drawing



Specification

| Model No. | Capacity | L(mm) | W(mm) | H(mm) | Weight(kg) | Remarks |
|-----------------|----------|-------|-------|-------|------------|-------------------------------------|
| LEBN116NS-0550S | 16 W | 660 | 167 | 65 | 3.75 | » Equivalent to FL. lamp (18 W x 1) |

LED Corner Light

LEBN216NS



Protection degree IP20

Materials

- Body : Electro zinc coated steel sheet
- Globe : Opal acrylic

Finish

- Body : White epoxy powder coat and stove enameled (Munsell No. N-9.3)

Equipment

- Top View LED : 32 W

Electrical

- AC 220 ~ 240 V, 50/60 Hz
- Ambient Temperature : -30 °C ~ 45 °C

Option

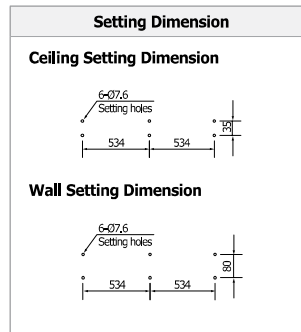
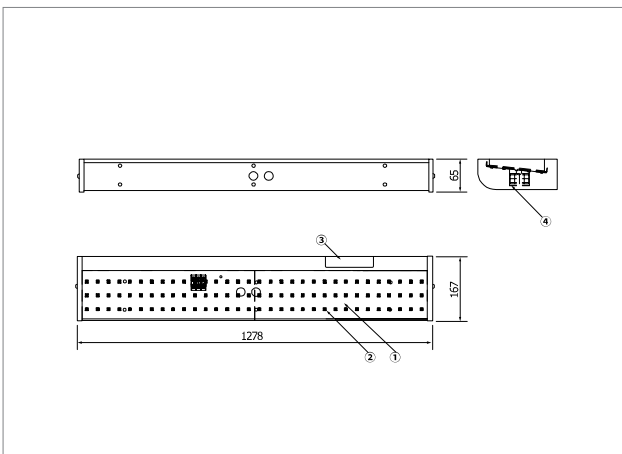
- AC 100 ~ 277 V, 50/60 Hz

Warranty Period

- 5 years



Technical Drawing



Specification

| Model No. | Capacity | L(mm) | W(mm) | H(mm) | Weight(kg) | Remarks |
|-------------------------------------|----------|-------|-------|-------|------------|---------|
| LEBN216NS-0550S | 32 W | 1278 | 167 | 65 | 5.23 | |
| » Equivalent to FL. lamp (36 W x 1) | | | | | | |

LED Desk Light

LEBD107



Protection degree IP20

Materials

- Body : Aluminium
- End caps : ABS
- Globe : Opal polycarbonate

Finish

- Body : White epoxy powder coat and stove enameled (Munsell No.N-9.3)
- End caps : White

Light Source

- Top View LED : 7 W

Electrical

- AC 220 ~ 240 V, 50/60 Hz
- Ambient Temperature : -30 °C ~ 45 °C

Option

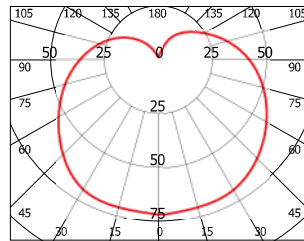
- AC 100 ~ 277 V, 50/60 Hz

Warranty Period

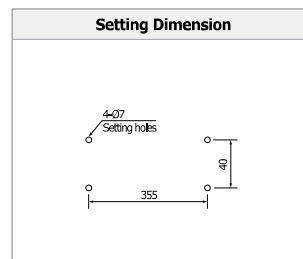
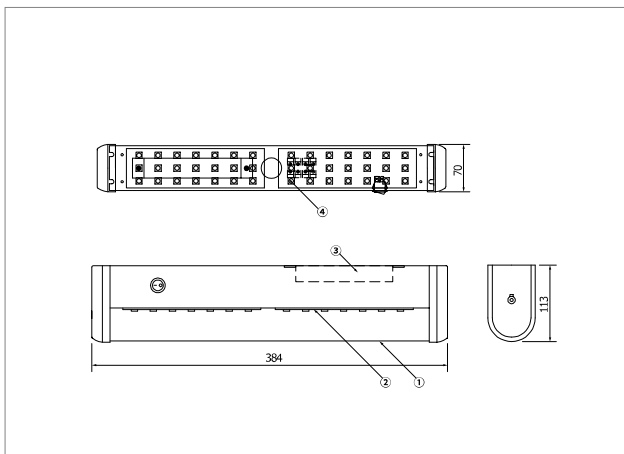
- 5 years



Light Distribution Curve



Technical Drawing



Specification

| Model No. | Capacity | L(mm) | W(mm) | H(mm) | Weight(kg) | Remarks |
|---------------|----------|-------|-------|-------|------------|---|
| LEBD107-W550A | 7 W | 384 | 70 | 113 | 1.4 | » Equivalent to FL. lamp (8 W x 1 / 10 W x 1) |

LED Desk Light

LEBD110



Protection degree IP20

Materials

- Body : Aluminium
- End caps : ABS
- Globe : Opal polycarbonate

Finish

- Body : White epoxy powder coat and stove enameled (Munsell No.N-9.3)
- End caps : White

Light Source

- Top View LED : 10 W

Electrical

- AC 220 ~ 240 V, 50/60 Hz
- Ambient Temperature : -30 °C ~ 45 °C

Option

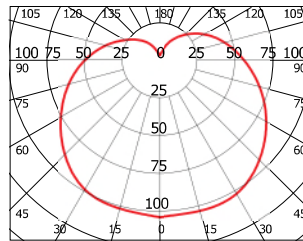
- AC 100 ~ 277 V, 50/60 Hz

Warranty Period

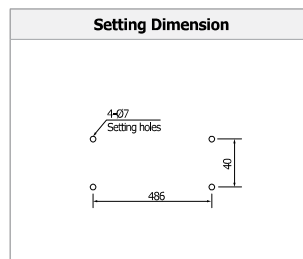
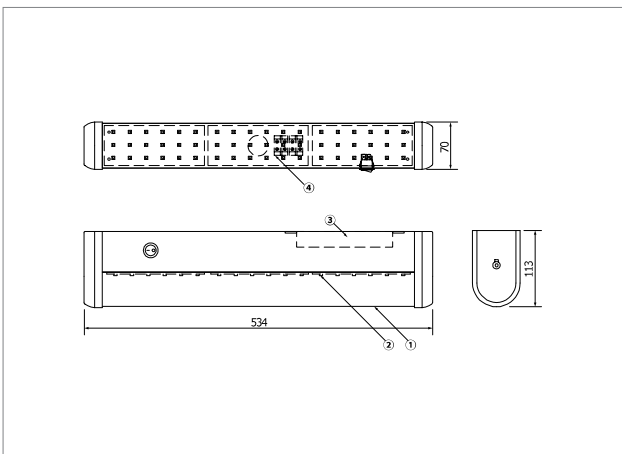
- 5 years



Light Distribution Curve



Technical Drawing



Specification

| Model No. | Capacity | L(mm) | W(mm) | H(mm) | Weight(kg) | Remarks |
|--|----------|-------|-------|-------|------------|---------|
| LEBD110-W550A | 10 W | 534 | 70 | 113 | 2.2 | |
| » Equivalent to FL. lamp (15 W x 1 / 18 W x 1) | | | | | | |

LED Mirror Light

LEBM110



Protection degree IP44

Materials

- Body : Aluminium
- End caps : ABS
- Globe : Opal polycarbonate

Finish

- Body : White epoxy powder coat and stove enameled (Munsell No.N-9.3)
- End caps : White

Light Source

- Top View LED : 10 W

Electrical

- AC 220 ~ 240 V, 50/60 Hz
- Isolating Transformer 20 VA
- Ambient Temperature : -30 °C ~ 45 °C

Option

- AC 100 ~ 277 V, 50/60 Hz

Luminous Flux

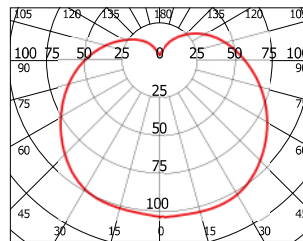
- 812 [lm]

Warranty Period

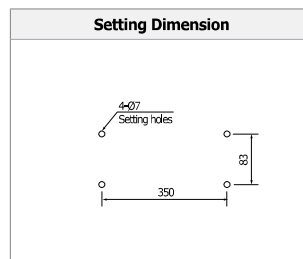
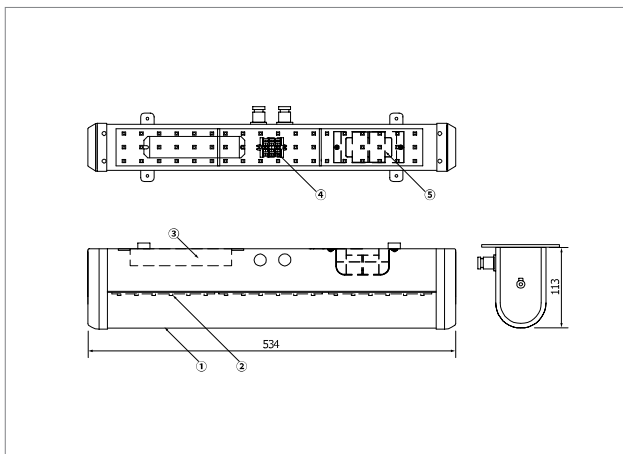
- 5 years



Light Distribution Curve



Technical Drawing



Specification

| Model No. | Capacity | L(mm) | W(mm) | H(mm) | Weight(kg) | Remarks |
|------------------------|--|-------|-------|-------|------------|------------------------|
| LEBM110SR-T206A | 10W | 534 | 105 | 113 | 2.2 | Receptacle |
| | » » Equivalent to FL. lamp (15 W x 1 / 18 W x 1) | | | | | |
| LEBM110SW-T206A | 10W | 534 | 105 | 113 | 2.3 | Receptacle with Switch |
| | » » Equivalent to FL. lamp (15 W x 1 / 18 W x 1) | | | | | |

LED Dome Light

LECD09-U



Protection degree IP56

Materials

- Body : Stainless steel, deep drawn
- Globe : Clear glass + Globe Polycarbonate

Finish

- Body : White epoxy powder coat and stove enameled (Munsell No. N-9.3)

Light Source

- Top View LED : 9 W

Electrical

- AC 220 ~ 240 V, 50/60 Hz
- Ambient Temperature : -30 °C ~ 45 °C

Option

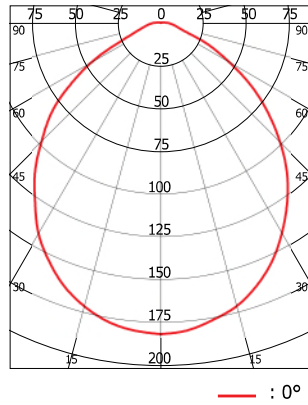
- AC 100 ~ 277 V, 50/60 Hz
- NVG compatible light mode
- *NVG : Night Vision Goggle System

Warranty Period

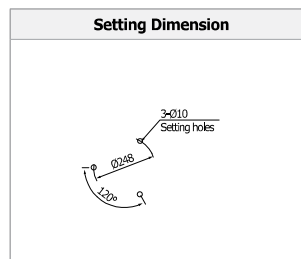
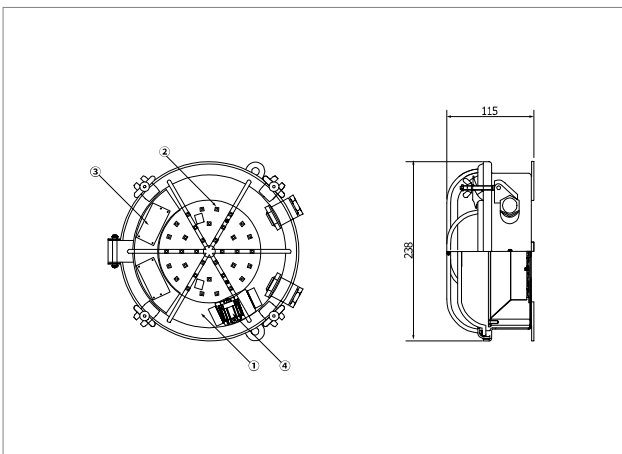
- 5 years



Light Distribution Curve



Technical Drawing



Specification

| Model No. | Capacity | L(mm) | W(mm) | H(mm) | Weight(kg) | Remarks |
|------------------------------------|----------|-------|-------|-------|------------|---------|
| LECD09-0550UWC | 9 W | 238 | 238 | 115 | 3.3 | |
| » Equivalent to Incan. lamp (60 W) | | | | | | |

LED Down Light

LO13-20W



Protection degree IP20

Materials

- Body : Steel sheet, deep drawn
- Frame : Silver & golden color coated

Finish

- Body : White epoxy powder coat and stove enameled (Munsell No. N-9.3)
- Frame : Silver & golden color coated

Light Source

- Base : E26 / E27
- LED Bulb : 9 W / 13 W
- LED CCT range : 2700 K ~ 6500 K
- *CCT : Correlated Color Temperature

Electrical

- AC 220 ~ 240 V, 50/60 Hz
- Ambient Temperature : -30 °C ~ 45 °C

Option

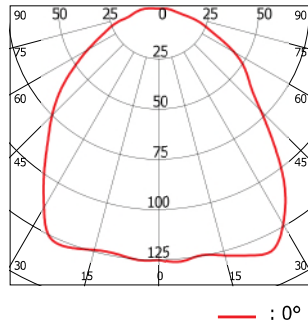
- AC 100 ~ 277 V, 50/60 Hz
- Dimming

Warranty Period

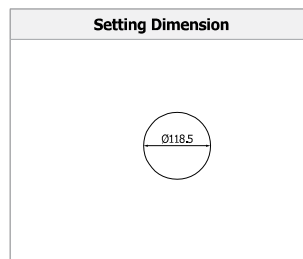
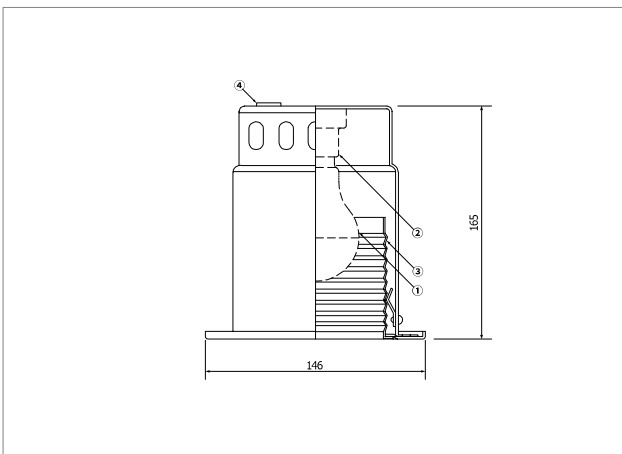
- 5 years



Light Distribution Curve



Technical Drawing



Specification

| Model No. | Capacity | L(mm) | W(mm) | H(mm) | Weight(kg) | Remarks |
|-----------|------------------------------------|-------|-------|-------|------------|---------|
| LO09-20W | 9 W | 146 | 146 | 165 | 0.6 | |
| | » Equivalent to Incan. lamp (60 W) | | | | | |
| LO13-20W | 13 W | 146 | 146 | 165 | 0.6 | |
| | » Equivalent to Incan. lamp (60 W) | | | | | |

LED Wall Light

LD09-GC



Protection degree IP20

Materials

- Body : Steel sheet
- Shade : Linen

Finish

- Body : Golden color coat
- Shade : Linen

Light Source

- Base : E26 / E27
- LED Bulb : 9 W
- LED CCT range : 2700 K ~ 6500 K
- *CCT : Correlated Color Temperature

Electrical

- AC 220 ~ 240 V, 50/60 Hz
- Ambient Temperature : -30 °C ~ 45 °C

Option

- AC 100 ~ 277 V, 50/60 Hz

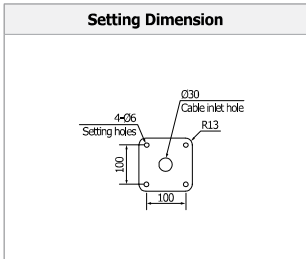
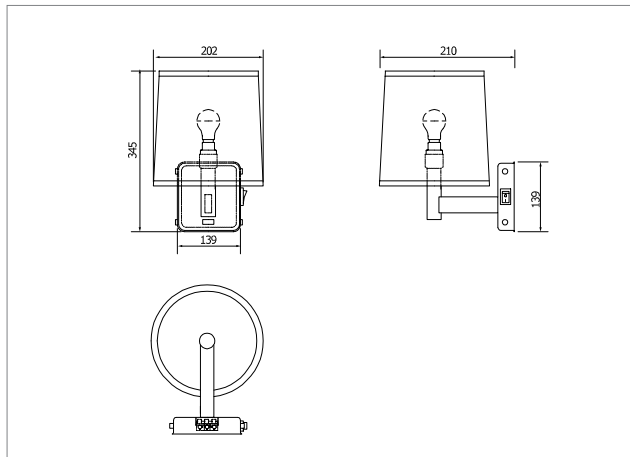
Luminous Flux

- 918 [lm]

Warranty Period

- 5 years

Technical Drawing



Specification

| Model No. | Capacity | L(mm) | W(mm) | H(mm) | Weight(kg) | Remarks |
|------------------------------------|----------|-------|-------|-------|------------|---------|
| LD09-23GC | 9 W | 202 | 210 | 345 | 1.8 | |
| » Equivalent to Incan. lamp (40 W) | | | | | | |

LED Decorative Wall Light

LD09-WAR



Protection degree IP20

Materials

- Body : Brass
- Globe : Opal acryl

Finish

- Body : Golden & Silver color coated

Light Source

- Base : E26
- LED Bulb : 9.5 W, 9 W, 8.5 W
- LED CCT range : 2,700 K, 3,000 K
- *CCT : Correlated Color Temperature

Electrical

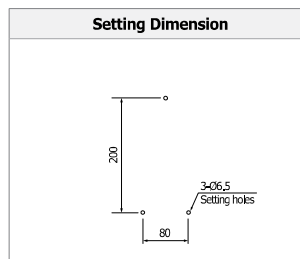
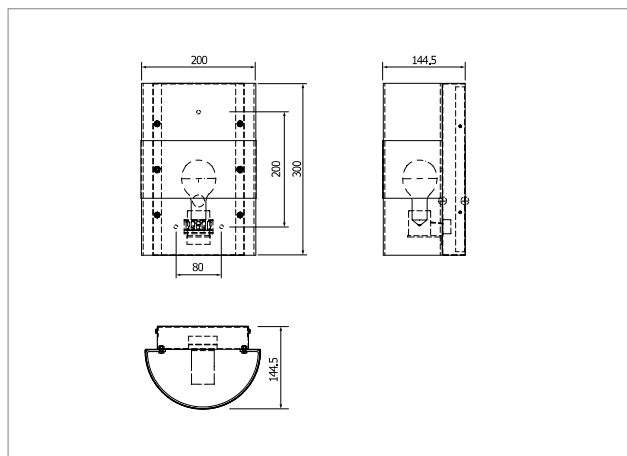
- AC 120 ~ 240 V, 50/60 Hz

Warranty Period

- 5 years



Technical Drawing



Specification

| Model No. | Capacity | L(mm) | W(mm) | H(mm) | Weight(kg) | Remarks |
|-----------------|----------|-------|-------|-------|------------|-----------------------|
| LD09-12WAR | 9.5 W | 300 | 200 | 144.5 | 2.5 | AC 120 V |
| LD09-20WAR | 9 W | 300 | 200 | 144.5 | 2.5 | AC 220 V |
| LD09-20WARC27-D | 8.5 W | 300 | 200 | 144.5 | 2.5 | AC 220 V, Dimming |
| LD09-20WARC30 | 9 W | 300 | 200 | 144.5 | 2.5 | AC 220 V, 3,000 K |
| LD09-23WAR | 9 W | 300 | 200 | 144.5 | 2.5 | AC 230 V |
| LD09-23WARC27 | 8.5 W | 300 | 200 | 144.5 | 2.5 | AC 220~240 V, 2,700 K |
| LD09-23WAR-D | 8.5 W | 300 | 200 | 144.5 | 2.5 | AC 230 V, Dimming |
| LD10-20WARC40 | 10 W | 300 | 200 | 144.5 | 2.5 | AC 220 V, 4,000 K |

LED Down Light

LECO115NF / LECO118NF



Protection degree IP20

Materials

- Body : Electro zinc coated steel sheet
- Frame : Electro zinc coated steel sheet deep drawn
- Globe : Polycarbonate

Finish

- Body and Frame : White epoxy powder coat and stove enamelled (Munsell No.N-9.3)
- Frame option : Silver & golden color coated, White epoxy powder coat and stove enamelled (Munsell No.N-9.3)

Light Source

- Top View LED : 15 W

Electrical

- AC 220 ~ 240 V, 50/60 Hz
- Ambient Temperature : -30 °C ~ 45 °C

Option

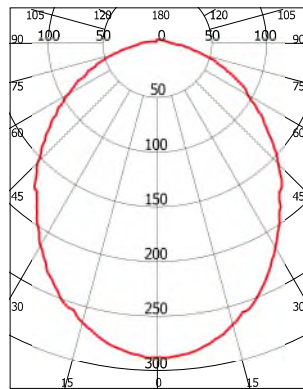
- AC 100 ~ 277 V, 50/60 Hz
- Battery back-up
- Dimming

Warranty Period

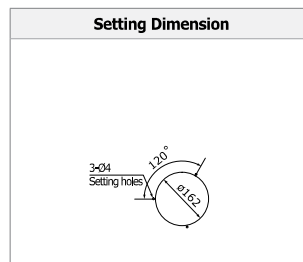
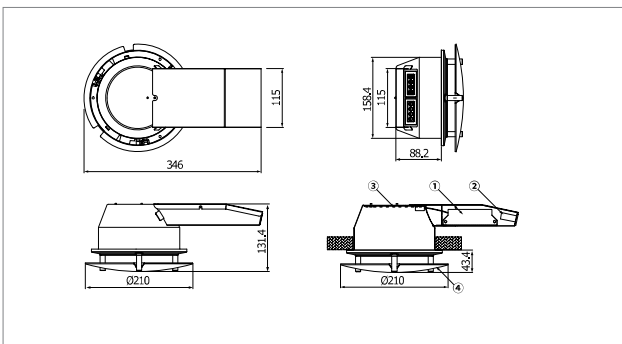
- 5 years



Light Distribution Curve



Technical Drawing



Specification

| Model No. | Capacity | L(mm) | W(mm) | H(mm) | Weight(kg) | Remarks |
|-------------------------|------------------------------|-------|-------|-------|------------|-------------------|
| LECO115NF-A550WEGPC50 | 15 W | 346 | 210 | 131.4 | 1.5 | |
| | » Equivalent to CFL 18 W X 1 | | | | | |
| LECO115NF-A550WEGPDsC50 | 15 W | 346 | 210 | 131.4 | 1.5 | Dimming |
| | » Equivalent to CFL 18 W X 1 | | | | | |
| LECO115NF-A550WEGDs2R | 15 W | 346 | 210 | 131.4 | 1.5 | Red Type, Dimming |
| | » Equivalent to CFL 18 W X 1 | | | | | |

LED Down Light

LECO115WF



Protection degree IP44

Materials

- Body : Electro zinc coated steel sheet
- Frame : Electro zinc coated steel sheet deep drawn
- Globe : Polycarbonate

Finish

- Body and Frame : White epoxy powder coat and stove enamelled (Munsell No.N-9.3)
- Frame option : Silver & golden color coated, White epoxy powder coat and stove enamelled (Munsell No.N-9.3)

Light Source

- Top View LED : 15 W

Electrical

- AC 220 ~ 240 V, 50/60 Hz
- Ambient Temperature : -30 °C ~ 45 °C

Option

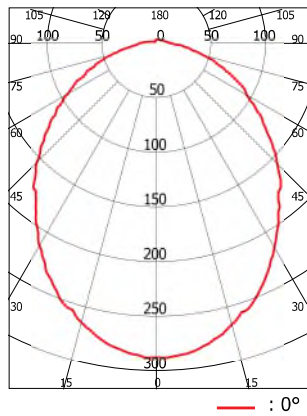
- AC 100 ~ 277 V, 50/60 Hz
- Battery back-up
- Dimming
- NVG compatible light mode
- *NVG : Night Vision Goggle System

Warranty Period

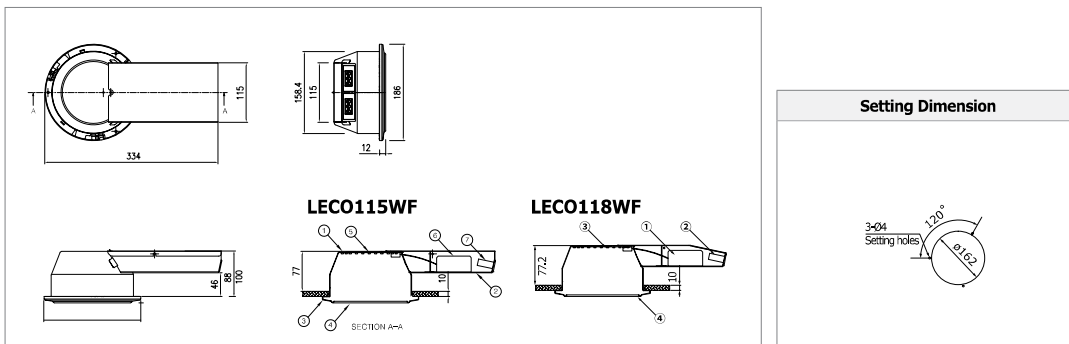
- 5 years



Light Distribution Curve



Technical Drawing



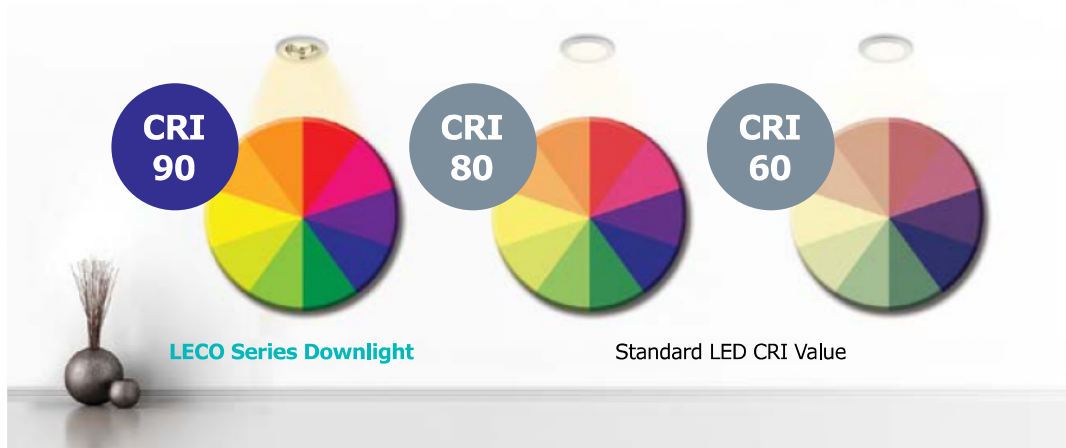
Specification

| Model No. | Capacity | L(mm) | W(mm) | H(mm) | Weight(kg) | Remarks |
|--------------------------|------------------------------|-------|-------|-------|------------|-------------------|
| LECO115WF-A550WEGPC50 | 15 W | 334 | 186.4 | 100 | 1.4 | |
| | » Equivalent to CFL 18 W X 1 | | | | | |
| LECO115WF-A550WEGPR | 15 W | 334 | 186.4 | 100 | 1.4 | Red Type |
| | » Equivalent to CFL 18 W X 1 | | | | | |
| LECO115WF-A550WEGPDs2C50 | 15 W | 334 | 186.4 | 100 | 1.4 | Dimming |
| | » Equivalent to CFL 18 W X 1 | | | | | |
| LECO115WF-A550WEGPDs2R | 15 W | 334 | 186.4 | 100.2 | 1.4 | Red Type, Dimming |
| | » Equivalent to CFL 18 W X 1 | | | | | |

LED Down Light

Unique Features

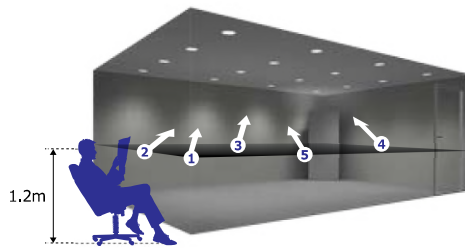
HIGH CRI



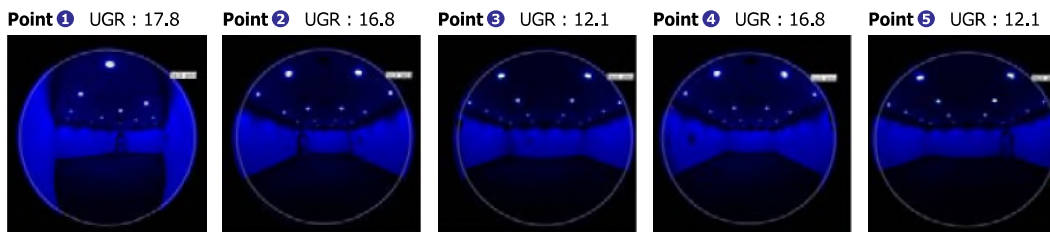
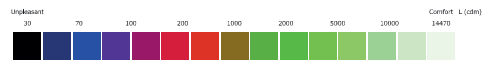
LOW GLARE

Glare measurement

The horizontal reference plane is at the observer eye level at 1.2m above floor.



- Room Size : 6 X 4.6 X 2.3 (m)
- Lens (eye) height : 1.2 m
- Standard : EN 12464-1:2011, CIE 190:2010
- Illumination calculation : 12



LED Down Light

Various Option



LECO115NFH



LECO115NFL



LECO110NF



LECO107NF

Reflector



Mirror reflector



Mirror reflector



Pattern reflector
Beam Angle 14°



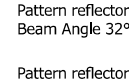
Mirror reflector



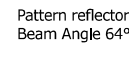
Pattern reflector



Pattern reflector



Pattern reflector
Beam Angle 32°



Pattern reflector
Beam Angle 64°



Pattern reflector

Lens



Dot Lens



Dot Lens



Dot Lens



Emission Lens



Emission Lens



Emission Lens

Cover



White cover



White cover



Silver cover



Silver cover



White cover
with transparent



White cover
with transparent



White cover
with red



White cover
with red



Adjustable

Option



Emergency



Emergency

LED Down Light



LED Downlight

LECO115NFH-B15W (No Insulation Box Required)

Protection degree IP20 / IP44 (Under ceiling)

Materials

- Body : Aluminium die casting
- Reflector : Polycarbonate
- Driver box : Polycarbonate
- Globe : Polycarbonate

Equipment

- COB LED : 1,100lm
- Color Temperature : 3,000K / 4,000K / 5,000K
- CRI : 90
- UGR : ≤ 15

Light Source

- COB LED : 13 W

Electrical

- AC 220 V ~ AC 240 V, 50/60 Hz
- Electronic Driver

Option

- Dimming : DALI
- Reflector : Mirror / Patterned
- Frame : White / Chrome / Brass
- Cable Connector : WAGO / ENSTO
- Battery Back up : 3hours
- Red Globe Type

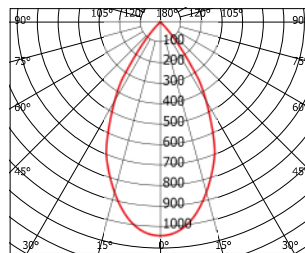
Warranty Period 5 years



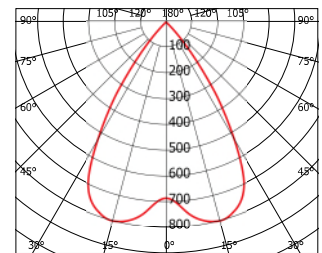
Light Distribution Curve

Mirror Reflector

Dot Lens

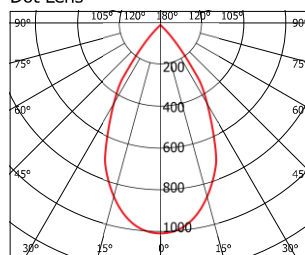


Emission Lens

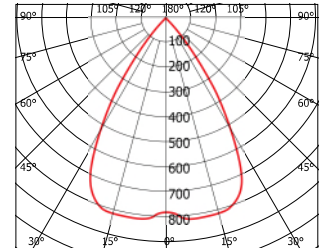


Patterned Reflector

EXLED-212edO

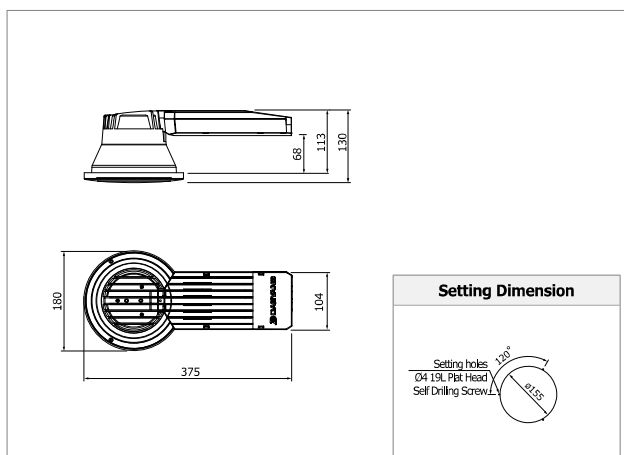


Emission Lens

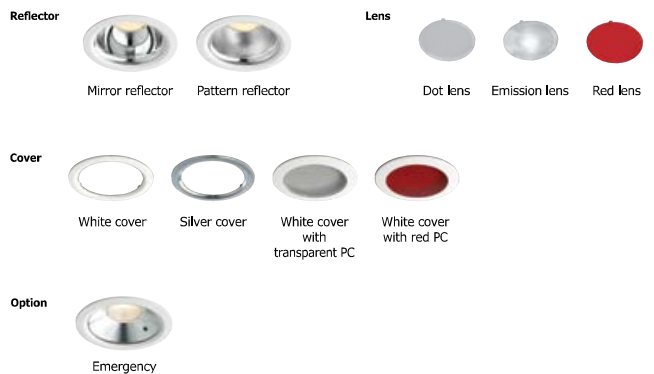


— : 0°

Technical Drawing



Various Option



Specification

| Model No. | Capacity | L(mm) | W(mm) | H(mm) | Weight(kg) | Remarks |
|-----------------|----------|-------|-------|-------|------------|---------|
| LECO115NFH-B15W | 13 W | 375 | 180 | 120 | 2.1 | |
| LECO115WFH-B15W | 13 W | 375 | 180 | 120 | 2.1 | |
| LECO115SFH-B15W | 13 W | 375 | 180 | 120 | 2.1 | |

LED Down Light

LED Downlight

LECO115NFH



Protection degree IP20 / IP55 (Under ceiling)

Materials

- Body : Aluminium die casting
- Reflector : Polycarbonate
- Driver box : Polycarbonate
- Globe : Polycarbonate

Equipment

- COB LED : 1,100lm
- Color Temperature : 3,000K / 4,000K / 5,000K
- CRI : 90
- UGR : ≤ 15

Light Source

- COB LED : 13 W

Electrical

- AC 220 V ~ AC 240 V, 50/60 Hz
- Electronic Driver

Option

- Dimming : DALI
- Reflector : Mirror / Patterned
- Frame : White / Chrome / Brass
- Cable Connector : WAGO / ENSTO
- Battery Back up : 3hours
- Red Globe Type

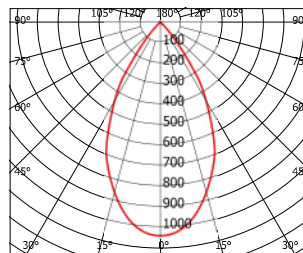
Warranty Period 5 years



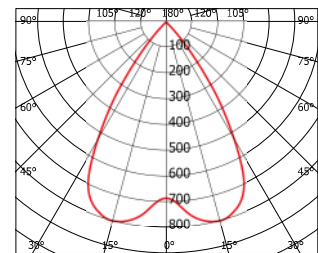
Light Distribution Curve

Mirror Reflector

Dot Lens

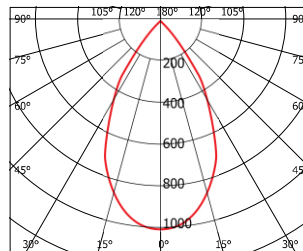


Emission Lens

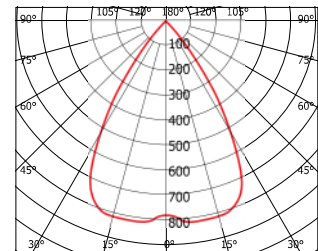


Patterned Reflector

Dot Lens

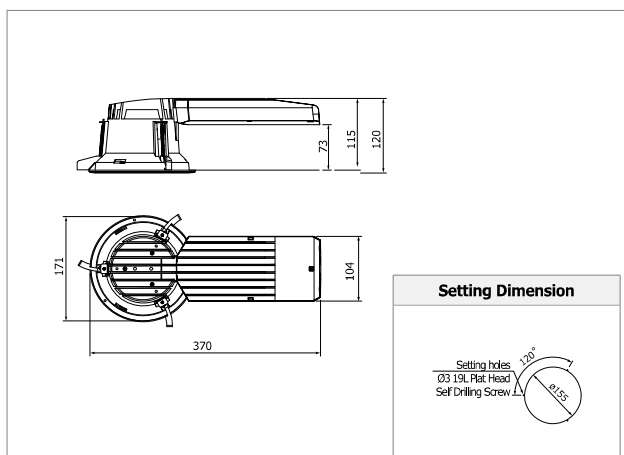


Emission Lens

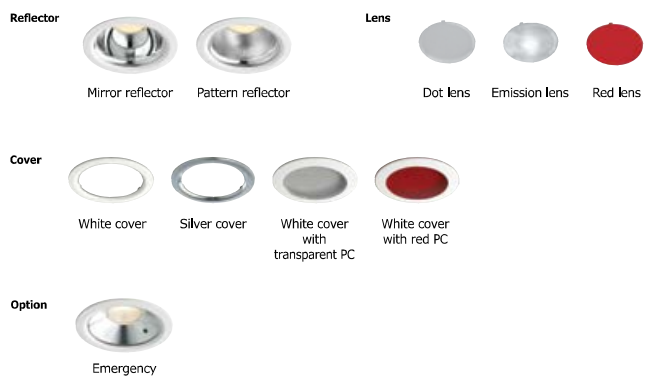


— : 0°

Technical Drawing



Various Option



Specification

| Model No. | Capacity | L(mm) | W(mm) | H(mm) | Weight(kg) | Remarks |
|---------------------------------|----------|-------|-------|-------|------------|---------|
| LECO115NFH | 13 W | 370 | 171 | 120 | 1.2 | |
| » Equivalent to FL. Lamp (18 W) | | | | | | |

LED Down Light

LED Downlight

LECO115NFL



Protection degree IP20

Materials

- Body : Aluminium die casting
- Reflector : Polycarbonate
- Driver box : Polycarbonate
- Globe : Polycarbonate

Equipment

- COB LED : 1,100lm
- Color Temperature : 3,000K / 4,000K / 5,000K
- CRI : 90
- UGR : ≤ 15

Light Source

- COB LED : 13 W

Electrical

- AC 220 V ~ AC 240 V, 50/60 Hz
- Electronic Driver

Option

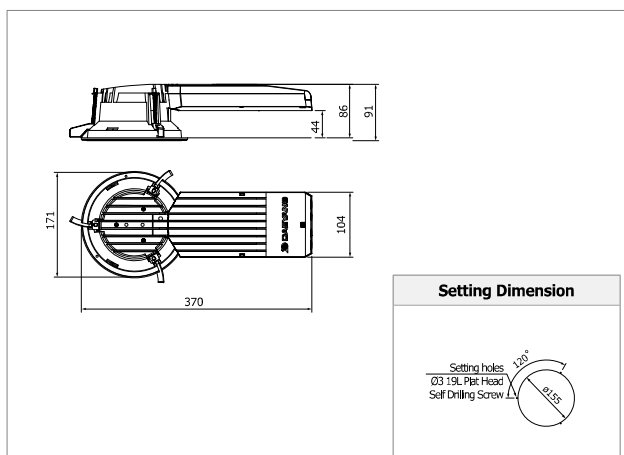
- Dimming : DALI
- Reflector : Mirror / Patterned
- Frame : White / Chrome / Brass
- Cable Connector : WAGO / ENSTO
- Battery Back up : 3hours
- Red Globe Type

Luminous Flux

- Mirror Reflector / Dot lens : 1,036 lm
- Mirror Reflector / Emission lens : 1,044 lm
- Pattern Reflector / Dot lens : 1,012 lm
- Pattern Reflector / Emission lens : 1,111 lm

Warranty Period 5 years

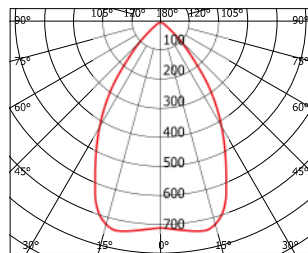
Technical Drawing



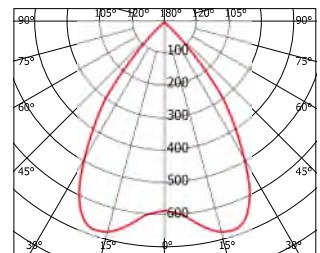
Light Distribution Curve

Mirror Reflector

Dot Lens

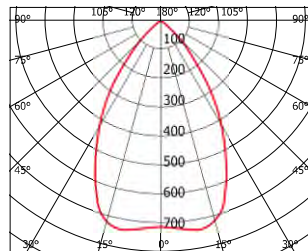


Emission Lens

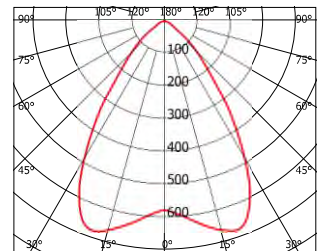


Patterned Reflector

Dot Lens

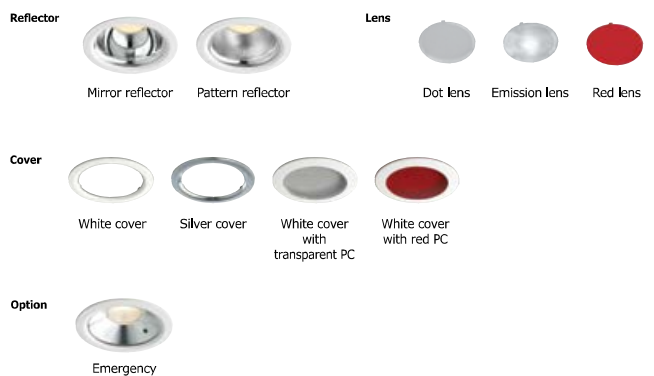


Emission Lens



— : 0°

Various Option



Specification

| Model No. | Capacity | L(mm) | W(mm) | H(mm) | Weight(kg) | Remarks |
|---------------------------------|----------|-------|-------|-------|------------|---------|
| LECO115NFL | 13 W | 370 | 171 | 91 | 1.1 | |
| » Equivalent to FL. Lamp (18 W) | | | | | | |

LED Down Light

LED Downlight

LECO115WFL



Protection degree IP55 (Under ceiling)

Materials

- Body : Aluminium die casting
- Reflector : Polycarbonate
- Driver box : Polycarbonate
- Globe : Polycarbonate

Equipment

- COB LED : 1,100lm
- Color Temperature : 3,000K / 4,000K / 5,000K
- CRI : 90
- UGR : ≤ 15

Light Source

- COB LED : 13 W

Electrical

- AC 220 V ~ AC 240 V, 50/60 Hz
- Electronic Driver

Option

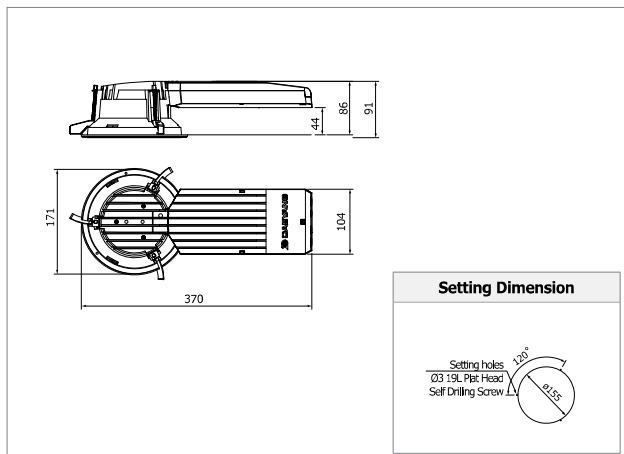
- Dimming : DALI
- Reflector : Mirror / Patterned
- Frame : White / Chrome / Brass
- Cable Connector : WAGO / ENSTO
- Battery Back up : 3hours
- Red Globe Type

Luminous Flux

- Mirror Reflector / Dot lens : 995 lm
- Mirror Reflector / Emission lens : 1,038 lm
- Pattern Reflector / Dot lens : 1,008 lm
- Pattern Reflector / Emission lens : 1,045 lm

Warranty Period 5 years

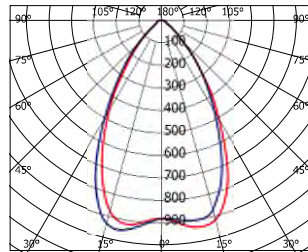
Technical Drawing



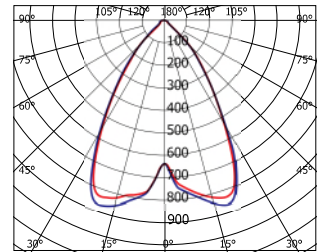
Light Distribution Curve

Mirror Reflector

Dot Lens

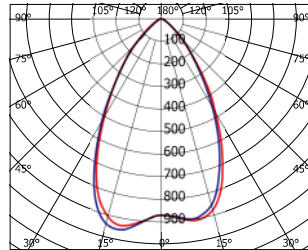


Emission Lens

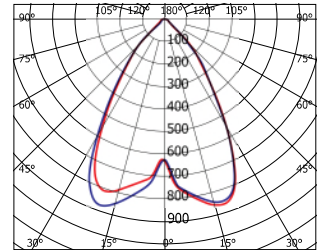


Patterned Reflector

Dot Lens

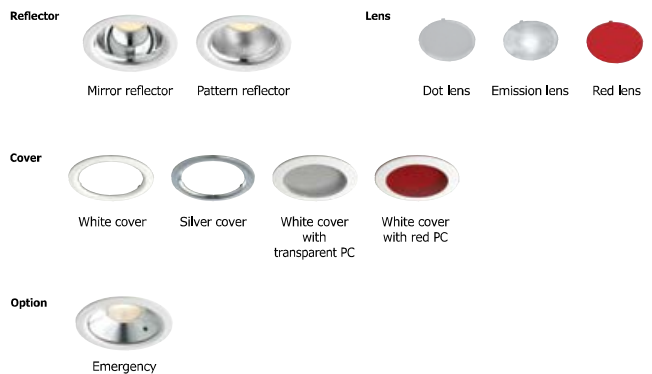


Emission Lens



— : 0°

Various Option



Specification

| Model No. | Capacity | L(mm) | W(mm) | H(mm) | Weight(kg) | Remarks |
|---------------------------------|----------|-------|-------|-------|------------|---------|
| LECO115WFL | 13 W | 370 | 171 | 91 | 1.1 | |
| > Equivalent to FL. Lamp (18 W) | | | | | | |

LED Down Light

LED Downlight

LECO110NF



Protection degree IP44

Materials

- Body : Aluminium die casting
- Reflector : Polycarbonate
- Driver box : Polycarbonate
- Globe : Polycarbonate

Equipment

- COB LED : 700lm
- Color Temperature : 3,000K / 4,000K / 5,000K
- CRI : 90
- UGR : ≤ 15

Light Source

- COB LED : 9 W

Electrical

- AC 220 V ~ AC 240 V, 50/60 Hz
- Electronic Driver

Option

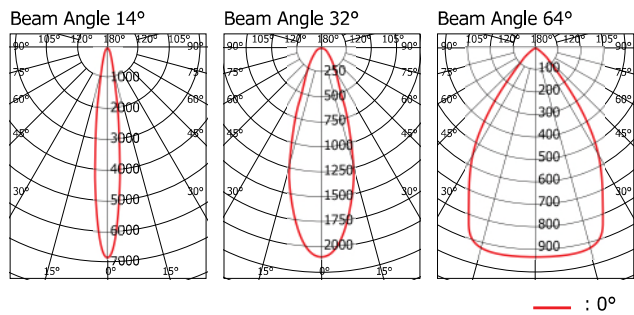
- Dimming : DALI
- Reflector : Mirror / Patterned
- Frame : White / Chrome / Brass
- Cable Connector : WAGO / ENSTO

Warranty Period 5 years



Light Distribution Curve

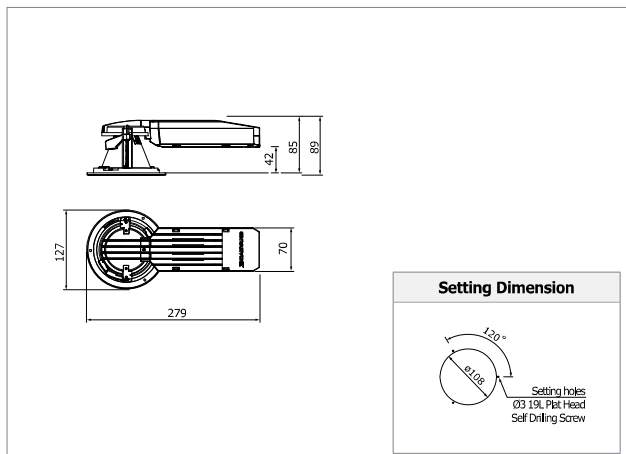
LECO110NF



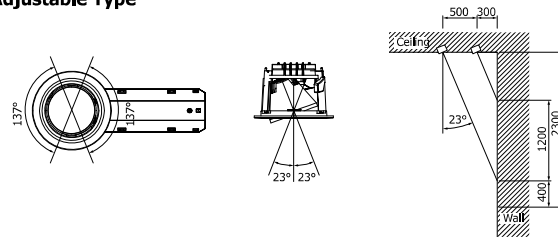
Adjustable



Technical Drawing



Adjustable Type



Various Option



- Pattern reflector Beam Angle 14°
- Pattern reflector Beam Angle 32°
- Pattern reflector Beam Angle 64°

Specification

| Model No. | Capacity | L(mm) | W(mm) | H(mm) | Weight(kg) | Remarks |
|-----------|----------|-------|-------|-------|------------|---------|
| LECO110NF | 9 W | 279 | 127 | 89 | 0.7 | |

LED Down Light

LED Downlight

LECO107NF

Protection degree IP20 / IP55 (Under ceiling)

Materials

- Body : Aluminium die casting
- Reflector : Polycarbonate
- Driver box : Polycarbonate
- Globe : Polycarbonate

Equipment

- COB LED : 700lm
- Color Temperature : 3,000K / 4,000K / 5,000K
- CRI : 90
- UGR : ≤ 15

Light Source

- COB LED : 9 W

Electrical

- AC 220 V ~ AC 240 V, 50/60 Hz
- Electronic Driver

Option

- Dimming : DALI
- Reflector : Mirror / Patterned
- Frame : White / Chrome / Brass
- Cable Connector : WAGO / ENSTO

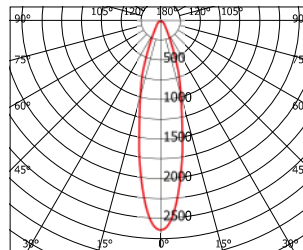
Warranty Period 5 years



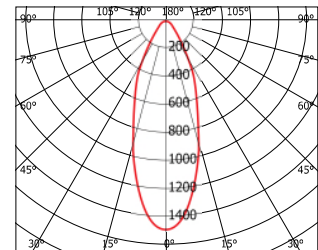
Light Distribution Curve

Mirror Reflector

Dot Lens



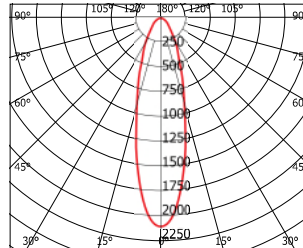
Emission Lens



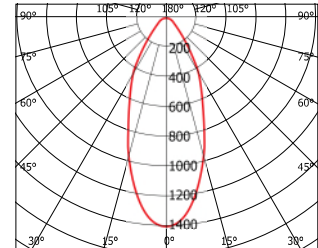
— : 0°

Patterned Reflector

Dot Lens

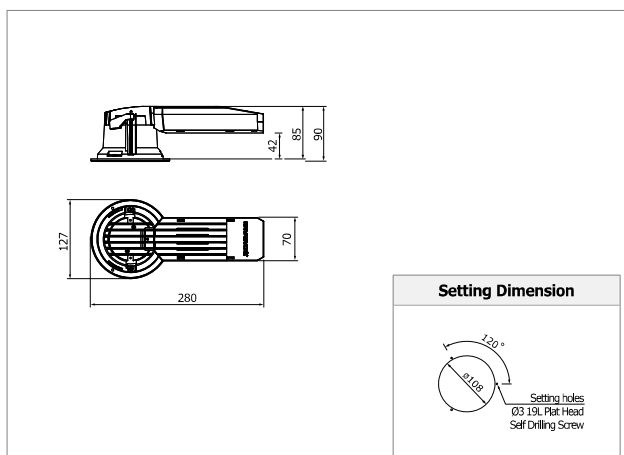


Emission Lens



— : 0°

Technical Drawing



Various Option

Reflector



Mirror reflector Pattern reflector

Lens



Dot lens Emission lens



White cover with transparent PC

Specification

| Model No. | Capacity | L(mm) | W(mm) | H(mm) | Weight(kg) | Remarks |
|-----------|----------|-------|-------|-------|------------|---------|
| LECO107NF | 9 W | 280 | 127 | 90 | 0.7 | |

LED Desk Light

Edge O

Protection degree IP20

Materials

- ABS, Aluminum
- Finish : Black

Light Source

- Power Consumption (Charging) : 9 ~ 26 W
- AC 100 ~ 240 V, 50/60 Hz

Light Source

- Color Temperature : 7 Steps (3,000 ~ 6,500K)
- Dimming : 7 Steps (100 ~ 1,200Lux)
- CRI : ≥80

Electrical

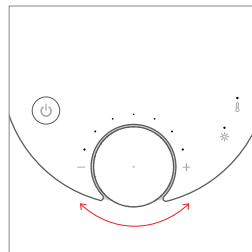
- Adapter : DC 12 V, 2.5A
- Charging : USB charge (C-TYPE)
- Charging Voltage : DC 9 V, 1.5A
- Plug Type : DIN Plug, JIS Plug

Lifespan

- 50,000 hr



Lighting Control



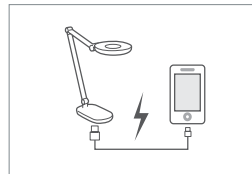
Color Temperature : 7 Steps (3000 ~ 6500K)



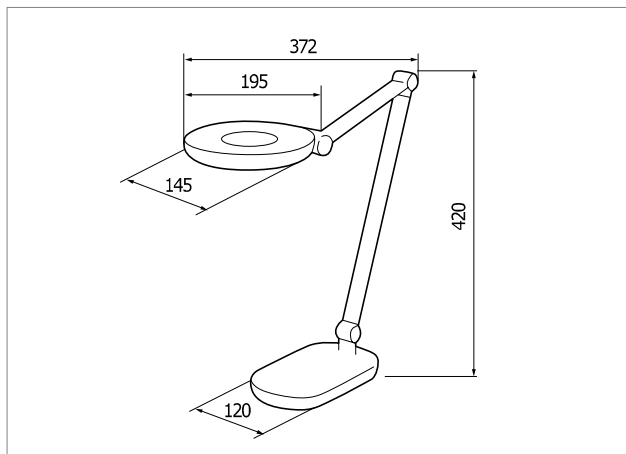
Dimming : 7 Steps (100 ~ 1200Lux)



Smartphone Charging



Technical Drawing



Specification

| Model No. | Capacity | L(mm) | W(mm) | H(mm) | Weight(kg) | Remarks |
|-----------|----------|-------|-------|-------|------------|---------|
| EDGE O | 9 W | 420 | 372 | 145 | 1.1 | |

LED Decorative Table Light

HARMON-T

Protection Degree IP20

Materials

- Body : Steel
- Shade : Fabric

Finish

- Body : Nickel Plated
- Shade : Beige

Light Source

- LED Bulb : 13 W, 2700K
- Socket : E27

Electrical

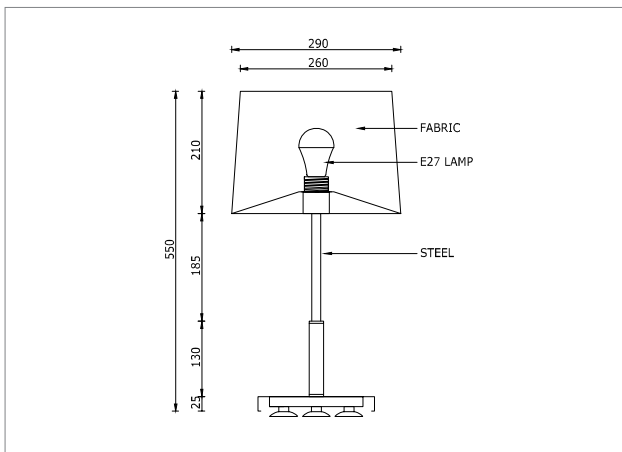
- AC 220~240 V, 50/60 Hz
- Cable : 1.5m
- Plug Type : EU plug

Option

- LED Bulb 9.5 W, 2700K / AC 120 V, 50/60 Hz



Technical Drawing



Specification

| Model No. | Capacity | L(mm) | W(mm) | H(mm) | Weight(kg) | Remarks |
|-----------------|----------|-------|-------|-------|------------|--------------|
| HARMON09-12TC27 | 9.5 W | 290 | 290 | 550 | 1.1 | AC 120 V |
| HARMON13-25TC27 | 13 W | 290 | 290 | 550 | 1.1 | AC 220~240 V |

LED Decorative Wall Light

HARMON-W

Protection Degree IP20

Materials

- Body : Steel
- Shade : Fabric

Finish

- Body : Nickel Plated
- Shade : Beige

Light Source

- LED Bulb : 13 W, 2700K
- Socket : E27

Electrical

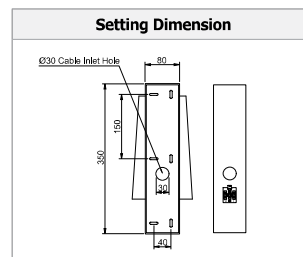
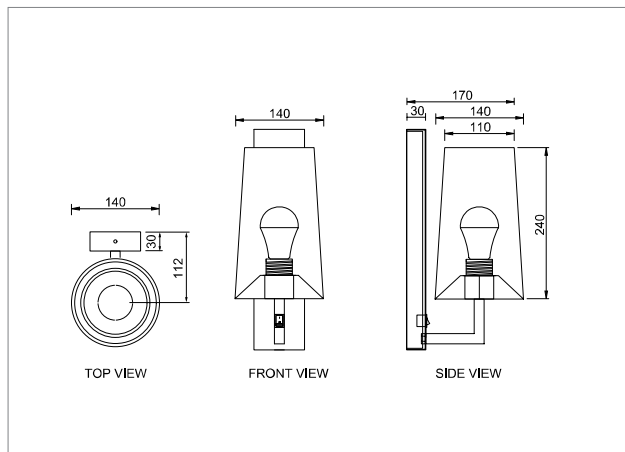
- AC 220~240 V, 50/60 Hz

Option

- LED Bulb 9.5 W, 2700K / AC 120 V, 50/60 Hz



Technical Drawing



Specification

| Model No. | Capacity | L(mm) | W(mm) | H(mm) | Weight(kg) | Remarks |
|-----------------|----------|-------|-------|-------|------------|--------------|
| HARMON09-12WC27 | 9.5 W | 170 | 140 | 350 | 1.2 | AC 120 V |
| HARMON13-25WC27 | 13 W | 170 | 140 | 350 | 1.2 | AC 220~240 V |

LED Chart Table Light

LCG05-55BS / LCG05-24BS

Protection degree IP20
 ▪ Remarks : Tested for EMC, KR

Materials
 ▪ Body : Plastic
 ▪ Glass Lens : Transparent tempered glass

Finish
 ▪ Body : Black
 ▪ Mounting : Table mounted by 4 crews (included)

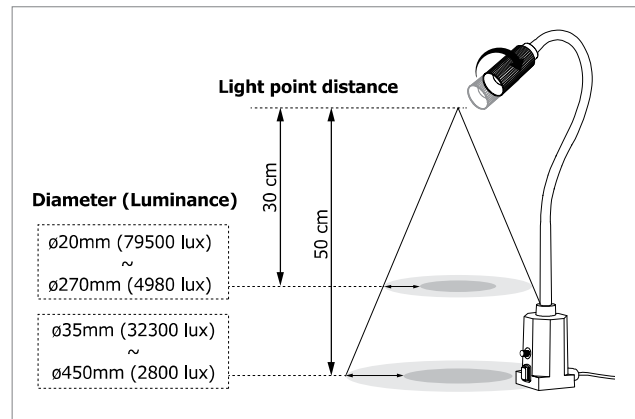
Light Source
 ▪ Power Consumption : 5 W
 ▪ Luminous Flux : 400 lm
 ▪ Color Temperature : 5,000K
 ▪ CRI : 80
 ▪ LED Lifetime : 50,000 hours
 ▪ Beam Angle : 10° ~ 80° (Adjustable Focus)

Electrical
 ▪ Frequency : 50/60 Hz
 ▪ Input Voltage : AC 100 ~ 277V

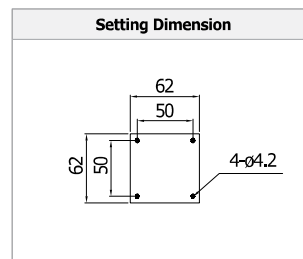
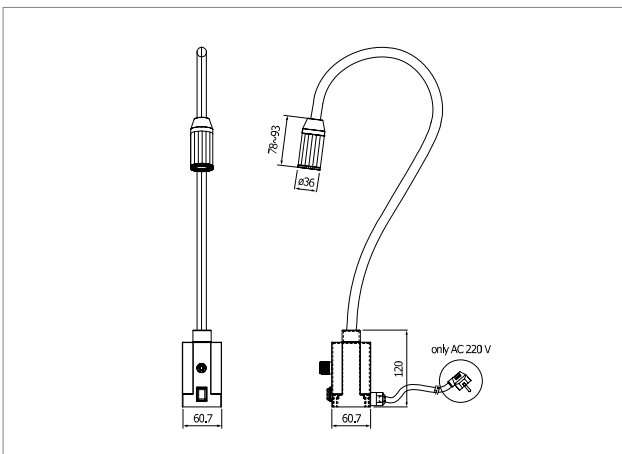
Option
 ▪ Red lens available as accessories
 ▪ Accommodate 24V AC/DC
 ▪ Transformer is built in use (Only AC 220V)
 ▪ 1.8m cable with plug



Adjustable Focus



Technical Drawing



Specification

| Model No. | Capacity | L(mm) | W(mm) | H(mm) | Weight(kg) | Remarks |
|------------|----------|-------|-------|-------|------------|----------|
| LCG05-55BS | 5 W | 700 | 60.7 | 60.7 | 1.1 | AC 220 V |
| LCG05-24BS | 5 W | 700 | 60.7 | 60.7 | 1.1 | DC 24 V |

LED Desk Light

EL100



Protection degree IP20

Materials

- ABS

Finish

- Munsell No.N-9.3

Light Source

- Top View LED : 12 W

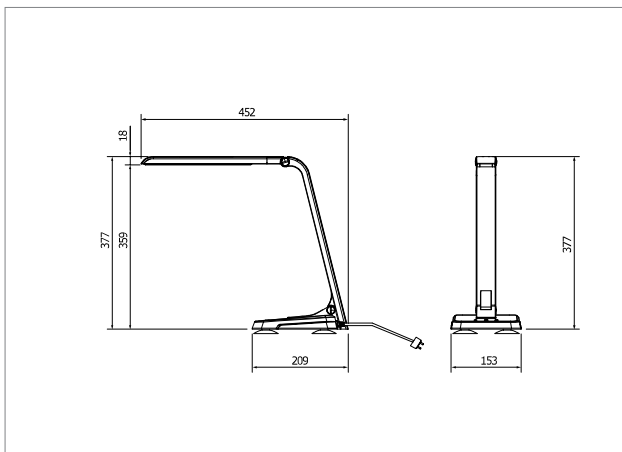
Electrical

- AC 220 ~ 240 V, 50/60 Hz
- 1.6m Cable & Plug(DIN)

Option

- AC 100 ~ 277 V, 50/60 Hz

Technical Drawing



Specification

| Model No. | Capacity | L(mm) | W(mm) | H(mm) | Weight(kg) | Remarks |
|-----------|----------|-------|-------|-------|------------|---------|
| EL100 | 12 W | 452 | 153 | 377 | 1.2 | |

LED Chart Table Light

LC09



Protection degree IP20

Materials

- Arm : Steel pipe
- Reflector : Steel sheet
- Terminal box : Cast Aluminium

Finish

- Body : White epoxy powder coat and stove enamelled (Munsell No. N-9.3)

Light Source

- Base : TE26 / TE27
- LED Bulb : 10 W
- LED CCT range : 2700 K ~ 6500 K
- *CCT : Correlated Color Temperature

Electrical

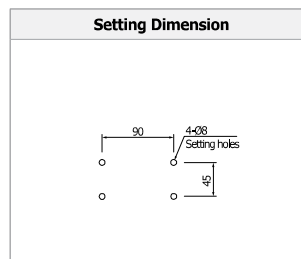
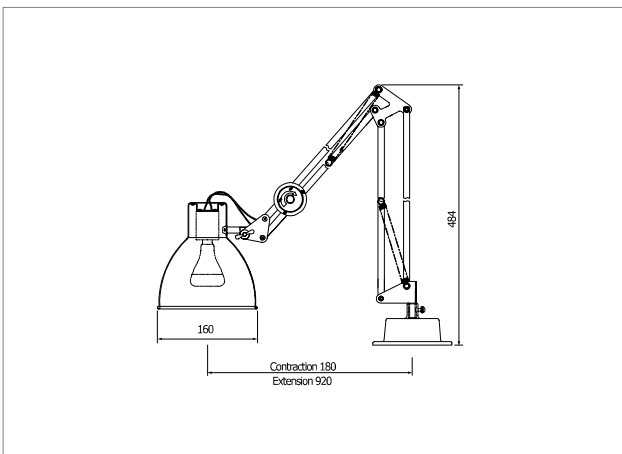
- AC 220 ~ 240 V, 50/60 Hz

Option

- AC 100 ~ 277 V, 50/60 Hz
- Dimming



Technical Drawing



Specification

| Model No. | Capacity | L(mm) | W(mm) | H(mm) | Weight(kg) | Remarks |
|-----------|----------|-------|-------|-------|------------|---------|
| LC09-IS | 10 W | 180 | 160 | 484 | 1.8 | Stand |
| LC09-IW | 10 W | 180 | 160 | 484 | 1.8 | Wall |

LED Folding Table Light

LT09



Protection degree IP20

- Available dimming control with adjustable reflector

Materials

- Body & Reflector : Electro zinc coated steel sheet

Finish

- Body : White epoxy powder coat and stove enamelled (Munsell No. N-9.3)

Light Source

- Base : TE26 / TE27
- LED Bulb : 9 W / 13 W
- LED CCT range : 2700 K ~ 6500 K
- *CCT : Correlated Color Temperature

Electrical

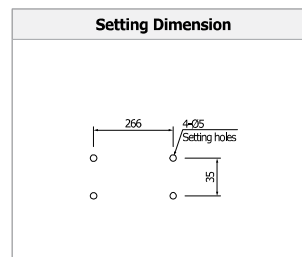
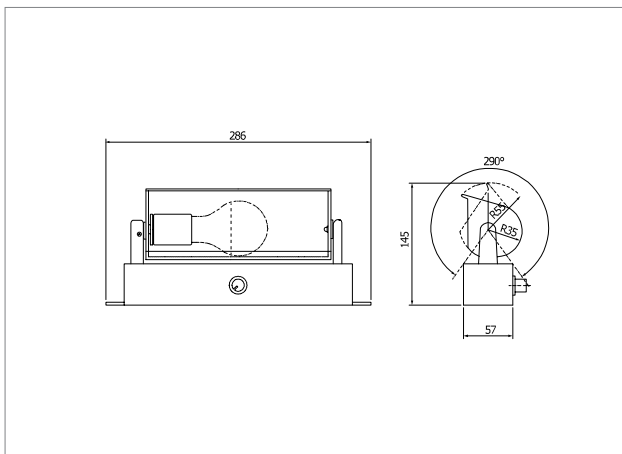
- AC 220 ~ 240 V, 50/60 Hz

Option

- AC 100 ~ 277 V, 50/60 Hz
- Dimming



Technical Drawing



Specification

| Model No. | Capacity | L(mm) | W(mm) | H(mm) | Weight(kg) | Remarks |
|-----------|----------|-------|-------|-------|------------|---------|
| LT09-24W | 9 W | 286 | 57 | 145 | 1 | |
| LT13-24W | 13 W | 286 | 57 | 145 | 1 | |

LED Exit Light

LEXIT-NF



Protection degree IP20

Materials

- Body & Cover : Electro zinc coated steel sheet
- Sign board : Acrylic plates

Finish

- Body : White epoxy powder coat and stove enamelled (Munsell No. N-9.3)

Light source

- Top view LED : 5 W

Electrical

- AC 220 ~ 240 V, 50/60 Hz
- Ambient temperature : -30°C ~ 50 °C
- Battery back-up
- Ni-Cd battery set for 3hours emergency operation

Option

- AC 100 ~ 277 V, 50/60 Hz
- Battery back-up

Warranty Period

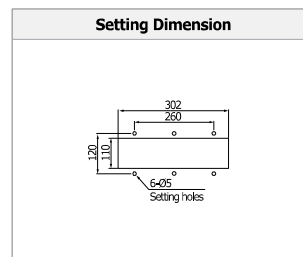
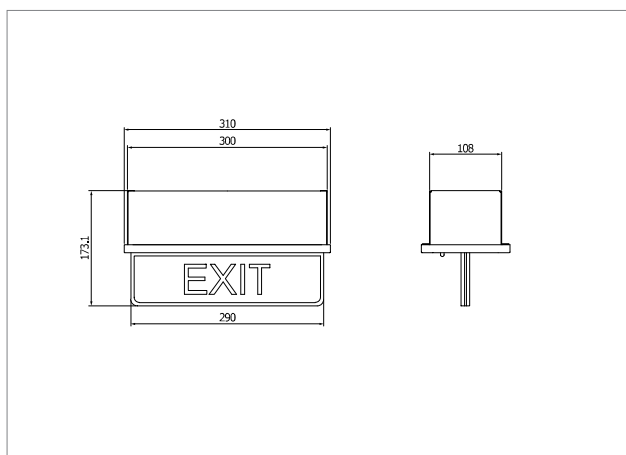
- 5 years



Signal Graphic Board



Technical Drawing



Specification

| Model No. | Capacity | L(mm) | W(mm) | H(mm) | Weight(kg) | Remarks |
|-------------------|----------|-------|-------|-------|------------|-----------------|
| LEXIT105NF-0550S | 5 W | 310 | 133 | 173 | 2.5 | |
| LEXIT105NF-0550SB | 5 W | 310 | 133 | 173 | 3 | Battery back-up |

LED Exit Light

LEXIT-NS



Protection degree IP44

Materials

- Body : Aluminium
- Sign board : Acrylic plates

Finish

- Body : White epoxy powder coat and stove enamelled (Munsell No. N-9.3)

Light source

- Top view LED : 5 W

Electrical

- AC 220 ~ 240 V, 50/60 Hz
- Ambient temperature : -30 °C ~ 50 °C
- Battery back-up type
- Ni-Cd battery set for 3hours emergency operation

Option

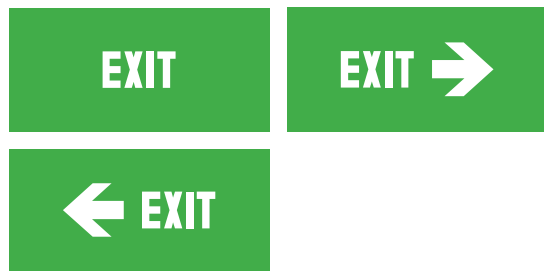
- AC 100 ~ 277 V, 50/60 Hz
- Battery back-up

Warranty Period

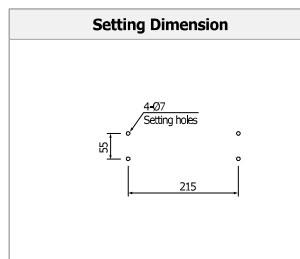
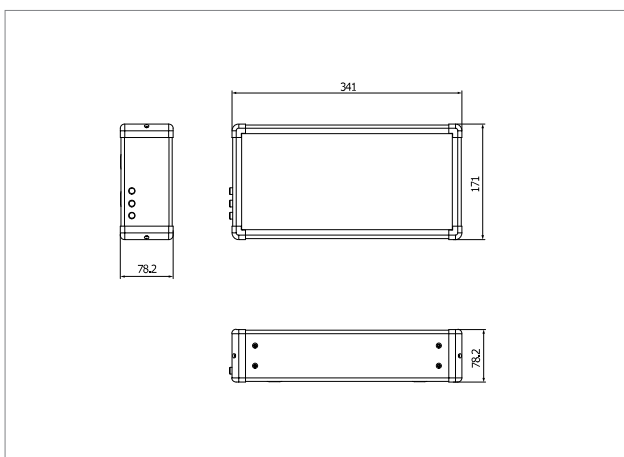
- 5 years



Signal Graphic Board



Technical Drawing



Specification

| Model No. | Capacity | L(mm) | W(mm) | H(mm) | Weight(kg) | Remarks |
|-------------------|----------|-------|-------|-------|------------|---------|
| LEXIT105NS-0550SB | 5 W | 341 | 78.2 | 171 | 3 | |

LED Surface Ceiling Light

LEB125WS-S



Protection degree IP56

Materials

- Body : Electro zinc coated steel sheet deep drawn
- Globe : Polycarbonate
- Latch : Stainless steel

Finish

- Body : White epoxy powder coat and Stove enameled (Munsell No.N-9.3)

Light Source

- Top View LED : 25 W

Electrical

- AC 220 ~ 240 V, 50/60 Hz
- Ambient Temperature : -30 °C ~ 45 °C

Option

- AC 100 ~ 277 V, 50/60 Hz
- Emergency : DC 24 V, 5 W
- Battery back-up
- Coaming type (WC)
- NVG compatible light mode
- *NVG : Night Vision Goggle System

Luminous Flux

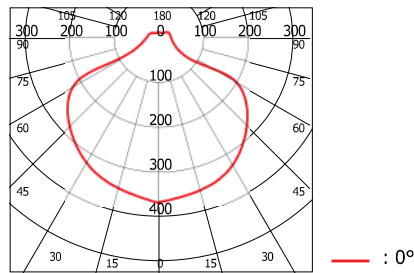
- 2,556 [lm]

Warranty Period

- 5 years



Light Distribution Curve

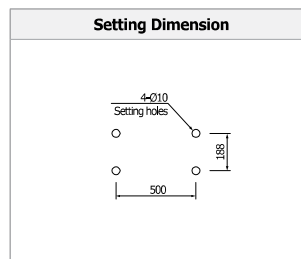
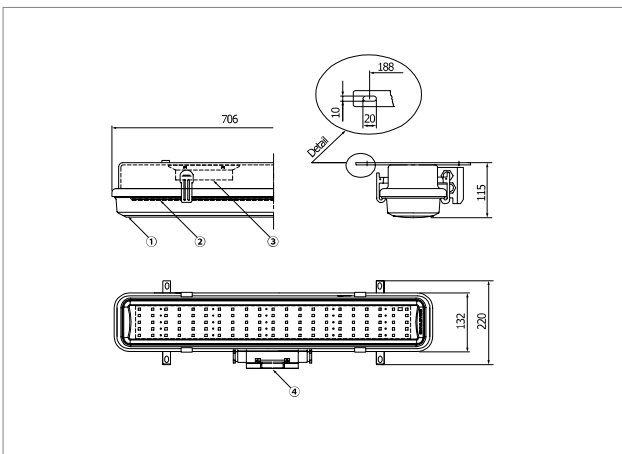


Terminal Box



Coaming

Technical Drawing



Specification

| Model No. | Capacity | L(mm) | W(mm) | H(mm) | Weight(kg) | Remarks |
|----------------|-------------------------------------|-------|-------|-------|------------|-----------|
| LEB125WS-0550S | 25 W | 706 | 220 | 115 | 3.2 | |
| | » Equivalent to FL. lamp (18 W x 2) | | | | | |
| LEB125WS-1550S | 25 W | 706 | 220 | 115 | 3.2 | Emergency |
| | » Equivalent to FL. lamp (18 W x 2) | | | | | |

LED Surface Ceiling Light

LEB225WS-S



Protection degree IP56

Materials

- Body : Electro zinc coated steel sheet deep drawn
- Globe : Polycarbonate
- Latch : Stainless steel

Finish

- Body : White epoxy powder coat and Stove enameled (Munsell No.N-9.3)

Light Source

- Top View LED : 50 W

Electrical

- AC 220 ~ 240 V, 50/60 Hz
- Ambient Temperature : -30 °C ~ 45 °C

Option

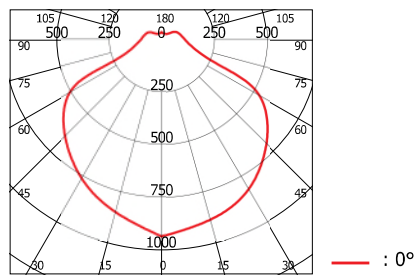
- AC 100 ~ 277 V, 50/60 Hz
- Emergency : DC 24 V, 5 W
- Battery back-up
- Coaming type (WC)
- NVG compatible light mode
- *NVG : Night Vision Goggle System

Warranty Period

- 5 years



Light Distribution Curve

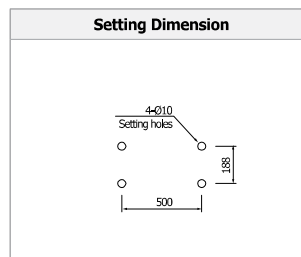
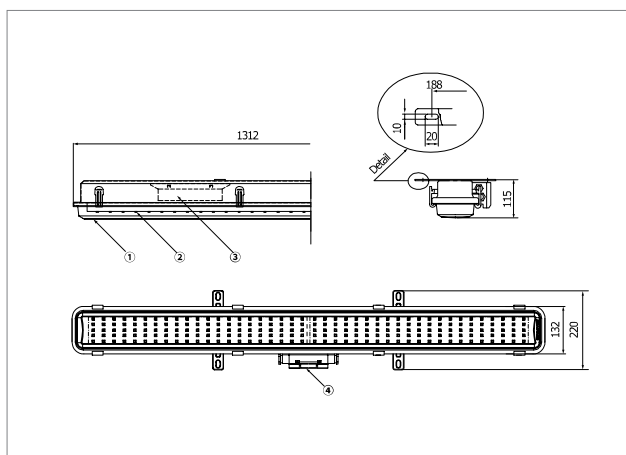


Terminal Box



Coaming

Technical Drawing



Specification

| Model No. | Capacity | L(mm) | W(mm) | H(mm) | Weight(kg) | Remarks |
|----------------|-------------------------------------|-------|-------|-------|------------|-----------|
| LEB225WS-0550S | 50 W | 1312 | 220 | 115 | 5.5 | |
| | » Equivalent to FL lamp (36 W x 2) | | | | | |
| LEB225WS-1550S | 50 W | 1312 | 220 | 115 | 5.5 | Emergency |
| | » Equivalent to FL. lamp (36 W x 2) | | | | | |

LED Surface Ceiling Light

LEB125WS-U



Protection degree IP66 / 67

Materials

- Body : Stainless steel sheet deep drawn
- Globe : Polycarbonate
- Latch : Stainless steel

Finish

- Body : White epoxy powder coat and Stove enameled (Munsell No.N-9.3)

Light Source

- Top View LED : 25 W

Electrical

- AC 220 ~ 240 V, 50/60 Hz
- Ambient Temperature : -30 °C ~ 45 °C

Option

- AC 100 ~ 277 V, 50/60 Hz
- Emergency : DC 24 V, 5 W
- Battery back-up
- NVG compatible light mode
- *NVG : Night Vision Goggle System

Luminous Flux

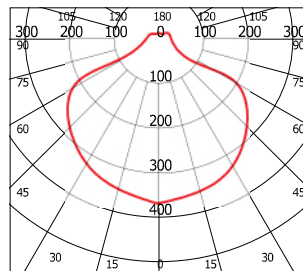
- 2,556 [lm]

Warranty Period

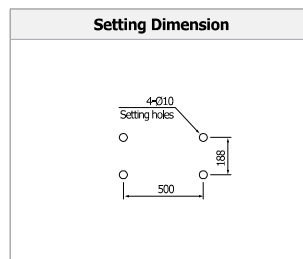
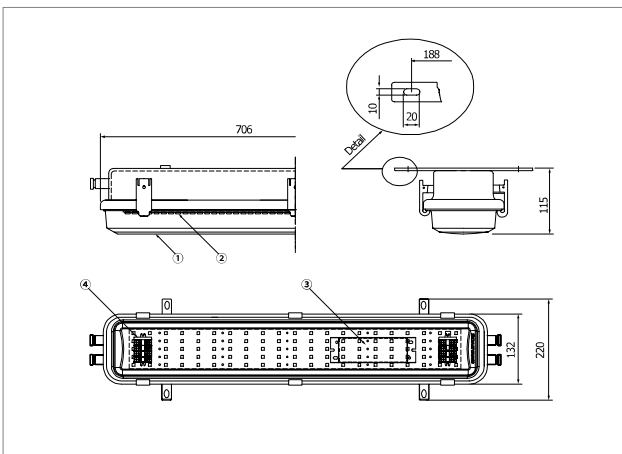
- 5 years



Light Distribution Curve



Technical Drawing



Specification

| Model No. | Capacity | L(mm) | W(mm) | H(mm) | Weight(kg) | Remarks |
|----------------|-------------------------------------|-------|-------|-------|------------|-----------|
| LEB125WS-0550U | 25 W | 706 | 220 | 115 | 4.5 | |
| | » Equivalent to FL. lamp (18 W x 2) | | | | | |
| LEB125WS-1550U | 25 W | 706 | 220 | 115 | 4.5 | Emergency |
| | » Equivalent to FL. lamp (18 W x 2) | | | | | |

LED Surface Ceiling Light

LEB225WS-U



Protection degree IP66 / 67

Materials

- Body : Stainless steel sheet deep drawn
- Globe : Polycarbonate
- Latch : Stainless steel

Finish

- Body : White epoxy powder coat and Stove enameled (Munsell No.N-9.3)

Light Source

- Top View LED : 50 W

Electrical

- AC 220 ~ 240 V, 50/60 Hz
- Ambient Temperature : -30 °C ~ 45 °C

Option

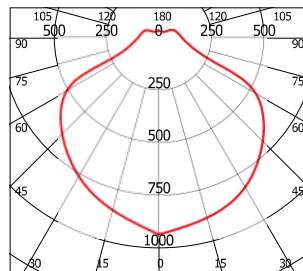
- AC 100 ~ 277 V, 50/60 Hz
 - Emergency : DC 24 V, 5 W
 - Battery back-up
 - NVG compatible light mode
- *NVG : Night Vision Goggle System

Warranty Period

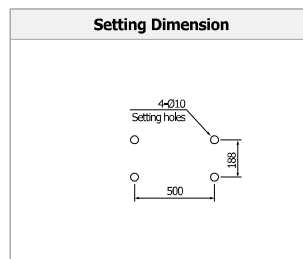
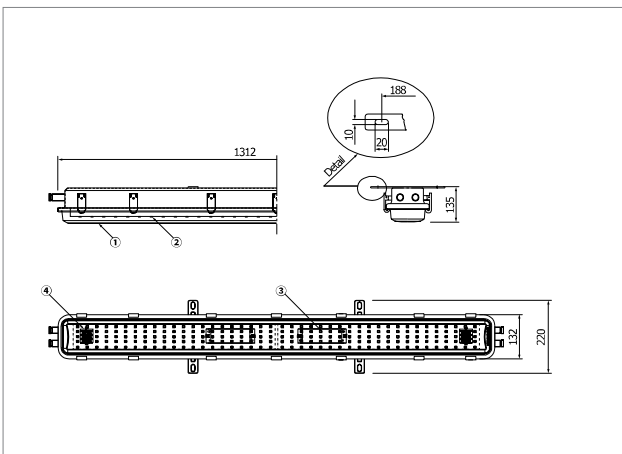
- 5 years



Light Distribution Curve



Technical Drawing



Specification

| Model No. | Capacity | L(mm) | W(mm) | H(mm) | Weight(kg) | Remarks |
|----------------|-------------------------------------|-------|-------|-------|------------|-----------|
| LEB225WS-0550U | 50 W | 1312 | 220 | 115 | 7.7 | |
| | » Equivalent to FL. lamp (36 W x 2) | | | | | |
| LEB225WS-1550U | 50 W | 1312 | 220 | 115 | 7.7 | Emergency |
| | » Equivalent to FL. lamp (36 W x 2) | | | | | |

LED Lashing Walk Way Light

LEB120WS-U



Protection degree IP66 / IP67

Materials

- Body : Stainless Steel 316L
- Globe : Polycarbonate
- Latch : Stainless steel 316L

Finish

- Body : White epoxy powder coat and Stove enameled (Munsell No.N-9.3)

Light Source

- Power consumption : LED 20 W
- Color temperature : 5,000K
- CRI : 80

Electrical

- AC 220 ~ 240 V, 50/60 Hz
- Ambient Temperature : -30 °C ~ 50 °C

Option

- Cable gland : M24
- Anti-vibration packing

Luminous Flux

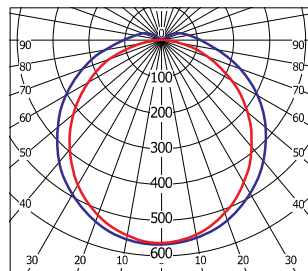
- 1,947 [lm]

Warranty Period

- 5 years

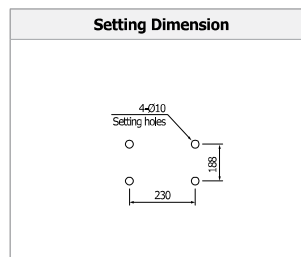
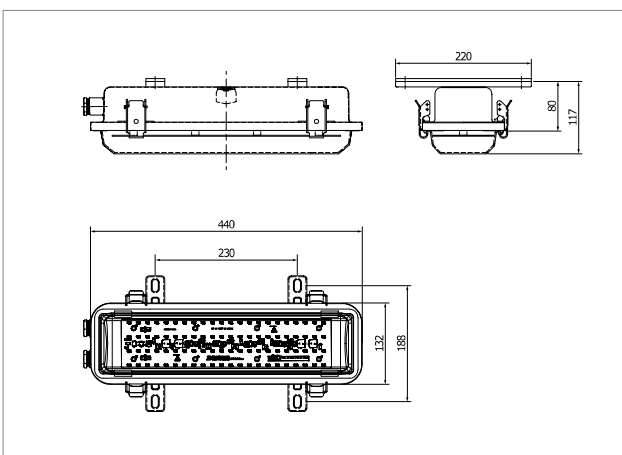


Light Distribution Curve



— : 0-180°
— : 90-270°

Technical Drawing



Specification

| Model No. | Capacity | L(mm) | W(mm) | H(mm) | Weight(kg) | Remarks |
|---------------|----------|-------|-------|-------|------------|---------|
| LEB120WS-206U | 20 W | 440 | 188 | 117 | 2.06 | |

Low Temperature Watertight LED Ceiling Light

LEB125WSP-I



Protection degree IP66

Materials

- Body : Stainless steel 316
- Globe : Tempered glass
- Latch : Stainless steel

Finish

- Body : White epoxy powder coat and Stove enameled (Munsell No.N-9.3)

Light Source

- Top View LED : 25W
- Emergency : 4.2W

Equipment

- Heat Capacity: 155 W
- Cable gland : M24

Electrical

- AC 220 ~ 230 V, 50/60 Hz
- Ambient Temperature : -45 °C ~ 45 °C

Option

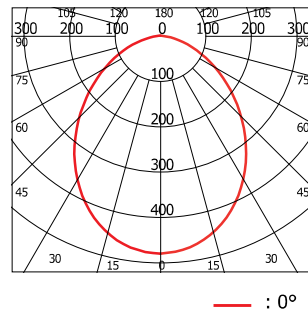
- Battery Back-up 3hr (Charging time: 32hr)
- Battery (Ni-Cd)

Warranty Period

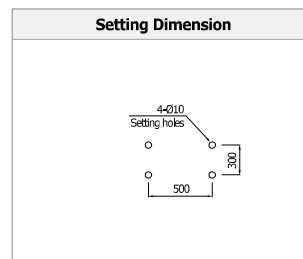
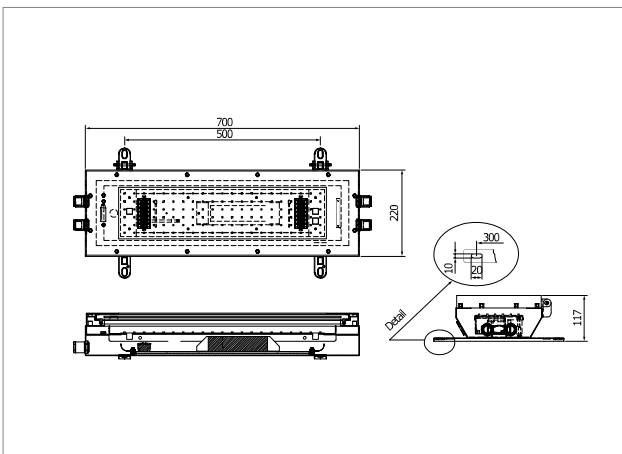
- 5 years



Light Distribution Curve



Technical Drawing



Specification

| Model No. | Capacity | L(mm) | W(mm) | H(mm) | Weight(kg) | Remarks |
|--------------------|-------------------------------------|-------|-------|-------|------------|-----------------|
| LEB125WSP-UWNM-I | 25 W | 700 | 220 | 117 | 14 | |
| | » Equivalent to FL. lamp (18 W x 2) | | | | | |
| LEB125WSP-UWNMBb-I | 25 W | 700 | 220 | 117 | 16 | Battery Back-up |
| | » Equivalent to FL. lamp (18 W x 2) | | | | | |



LED Pendant Light

LP09-P / LP09-B

Protection degree IP56

Materials

- Body : PBT(Poly Butylene Terephthalate) / Brass
- Globe : Clear Glass

Finish

- Body : Light Green color (Munsell No.7.5BG 7/2) / Brass(natural)

Light Source

- Base : E26 / E27
- LED Bulb : 9 W / 13.5 W
- LED CCT range : 2700 K ~ 6500 K
- *CCT : Correlated Color Temperature

Electrical

- AC 220 ~ 240 V, 50/60 Hz
- Ambient Temperature : -30 °C ~ 45 °C

Option

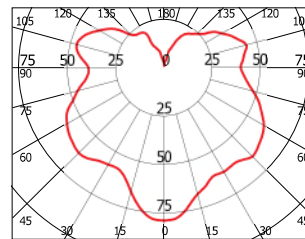
- AC 100 ~ 277 V, 50/60 Hz

Warranty Period

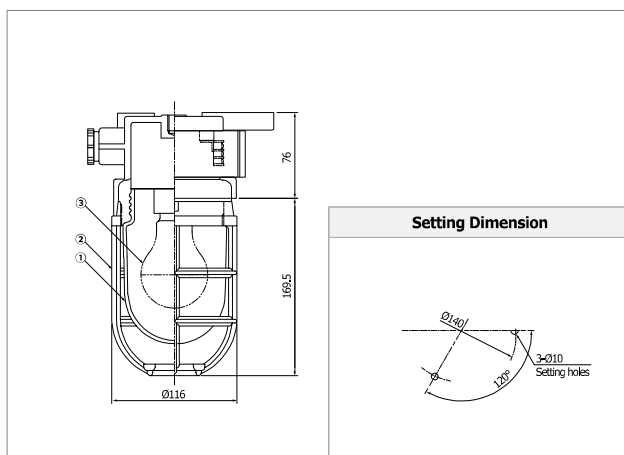
- 5 years



Light Distribution Curve



Technical Drawing



Specification

| Model No. | Capacity | L(mm) | W(mm) | H(mm) | Weight(kg) | Remarks |
|-------------|---|-------|-------|-------|------------|---------|
| LP09-23PSCG | 9 W | 140 | 116 | 245.5 | 2.2 | |
| | » Equivalent to Incan. lamp (40 W / 60 W) | | | | | |
| LP13-23PSCG | 13 W | 140 | 116 | 245.5 | 2.2 | |
| | » Equivalent to Incan. lamp (40 W / 60 W) | | | | | |

LED Bracket Light

LB09-P / LB09-B



LB09-PSCG

Protection degree IP56

Materials

- Body : PBT(Poly Butylene Terephthalate) / brass
- Guard : Clear polycarbonate / cast brass
- Globe : Clear glass
- Stainless steel screen can be installed additionally

Finish

- Body : Light green color (Munsell No. 7.5BG 7/2) / Brass (natural)

Light Source

- Base : E26 / E27
- LED Bulb : 9 W
- LED CCT range : 2700 K ~ 6500 K
- *CCT : Correlated Color Temperature

Equipment

- Two cable glands 20a~c (Diameter : Max. 16mm cable)

Electrical

- AC 220 ~ 240 V, 50/60 Hz

Option

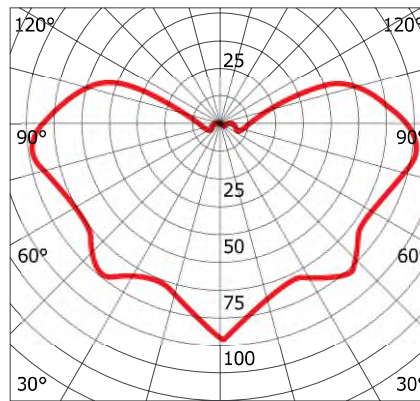
- AC 100 ~ 277 V, 50/60 Hz

Warranty Period

- 5 years

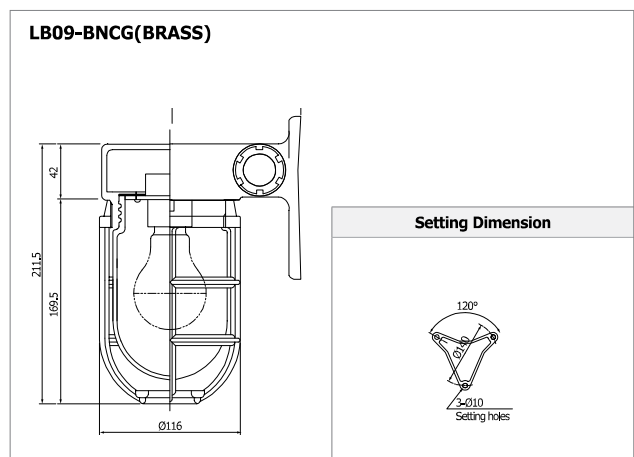
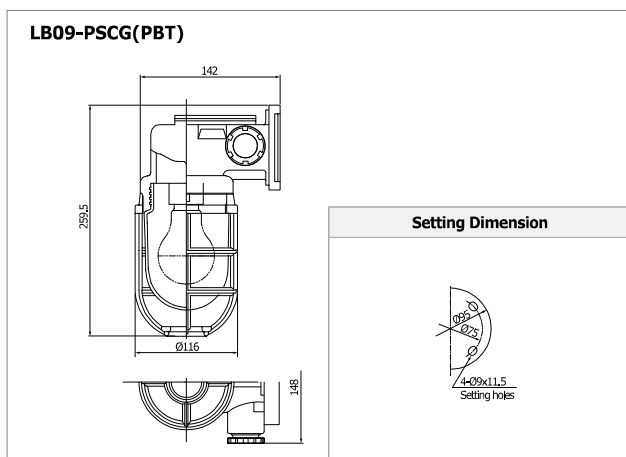


Light Distribution Curve



LB09-BNCG

Technical Drawing



Specification

| Model No. | Capacity | L(mm) | W(mm) | H(mm) | Weight(kg) | Remarks |
|-----------|----------|-------|-------|-------|------------|----------|
| LB09-PSCG | 9 W | 142 | 116 | 259.5 | 1.14 | - |
| LB09-PSCS | 9 W | 142 | 130 | 260 | 1.54 | W/Screen |
| LB09-BNCG | 9 W | 156 | 107 | 211.5 | 2.15 | - |
| LB09-BNCS | 9 W | 156 | 130 | 245 | 2.55 | W/Screen |

LED Bulkhead Light

LK-P / LK-B



Protection degree IP56

Materials

- Body : PBT(Poly Butylene Terephthalate) / brass
- Guard : Clear polycarbonate / cast brass
- Globe : Clear glass
- Stainless steel screen can be installed additionally

Finish

- Body : Light green color (Munsell No. 7.5BG 7/2) / Brass (natural)

Light Source

- Base : E26 / E27
- LED Bulb : 9 W
- LED CCT range : 2700 K ~ 6500 K
- *CCT : Correlated Color Temperature

Electrical

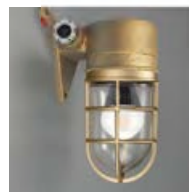
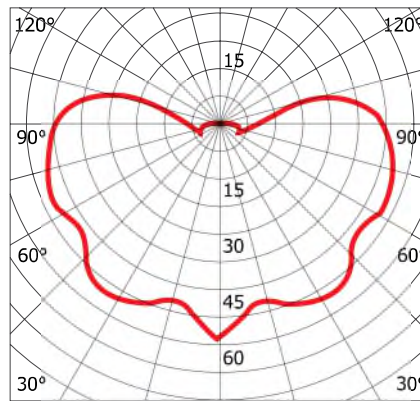
- AC 220 ~ 240 V, 50/60 Hz

Warranty Period

- 5 years

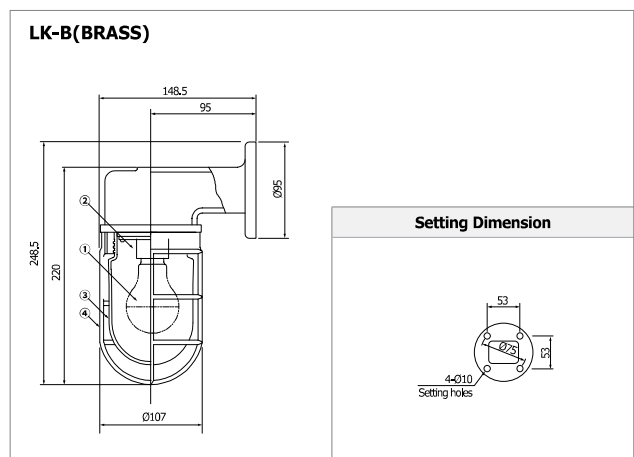
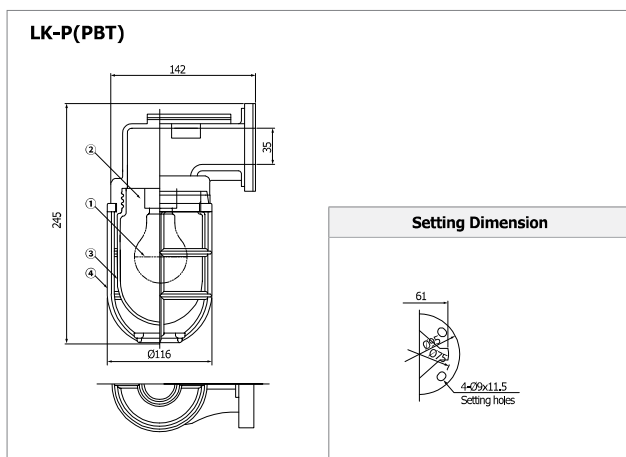


Light Distribution Curve



LK11-BN

Technical Drawing



Specification

| Model No. | Capacity | L(mm) | W(mm) | H(mm) | Weight(kg) | Remarks |
|-----------|----------|-------|-------|-------|------------|----------|
| LK11-PS | 11 W | 142 | 116 | 245 | 1.14 | - |
| LK11-PSS | 11 W | 142 | 130 | 284.5 | 1.44 | W/Screen |
| LK11-BN | 11 W | 148.5 | 107 | 245 | 2.15 | - |
| LK11-BNS | 11 W | 155 | 130 | 248.5 | 2.55 | W/Screen |

LED Hinged Pendant Light

LPH



Application

Engine room, Work shop, Toilet, Industrial areas

Protection degree IP56

Materials

- Body : PBT(Poly Butylene Terephthalate) / brass
- Guard : Clear polycarbonate / cast brass
- Globe : Clear glass / Polycarbonate
- Stainless steel screen can be installed additionally

Finish

- Body : Light green color (Munsell No. 7.5BG 7/2)

Light Source

- Base : E26 / E27
- LED Bulb : 9 W, 10 W, 12 W, 13 W
- LED CCT range : 2700 K ~ 6500 K
- *CCT : Correlated Color Temperature

Equipment

- Two cable glands 20a~c (Diameter : Max. 16mm cable)

Electrical

- AC 220 ~ 240 V, 50/60 Hz

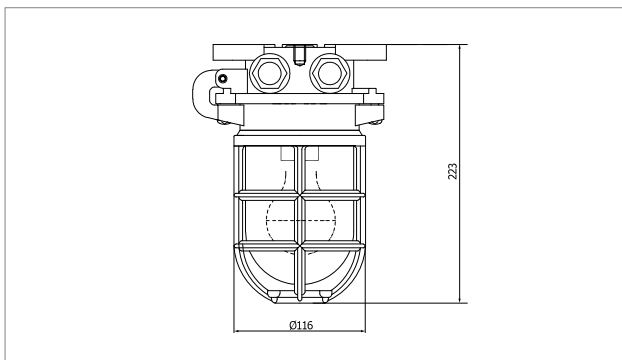
Option

- AC 100 ~ 277 V, 50/60 Hz

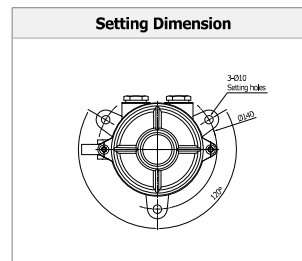
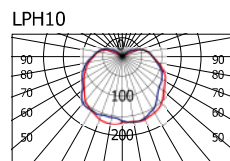
Warranty Period

- 5 years

Technical Drawing



Light Distribution Curve



Specification

| Model No. | Capacity | L(mm) | W(mm) | H(mm) | Weight(kg) | Remarks |
|-------------|----------|-------|-------|-------|------------|----------|
| LPH9-PSCG | 9 W | 157 | 116 | 223 | 1.5 | |
| LPH9-PSCGS | 9 W | 157 | 116 | 223 | 1.5 | W/Screen |
| LPH10-PSCG | 10 W | 157 | 116 | 223 | 1.5 | |
| LPH10-PSCGS | 10 W | 157 | 116 | 223 | 1.5 | W/Screen |
| LPH12-PSCG | 12 W | 157 | 116 | 223 | 1.5 | |
| LPH12-PSCGS | 12 W | 157 | 116 | 223 | 1.5 | W/Screen |
| LPH13-PSCG | 13 W | 157 | 116 | 223 | 1.5 | |
| LPH13-PSCGS | 13 W | 157 | 116 | 275.5 | 1.1 | W/Screen |

LED Portable Hand Lamp

LH



Protection degree IP56

Materials

- Body & Guard : Polycarbonate
- Globe : Clear glass

Finish

- Body : White

Light Source

- Base : E26 / E27
- LED Bulb : 9 W
- LED CCT range : 2700 K ~ 6500 K
- *CCT : Correlated Color Temperature

Equipment

- Cable : TPNP 1.5 mm 15 m cord & plug

Electrical

- AC 220 ~ 240 V, 50/60 Hz

Option

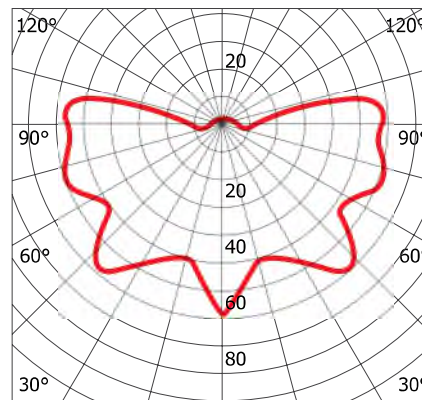
- AC 100 ~ 277 V, 50/60 Hz

Warranty Period

- 5 years



Light Distribution Curve

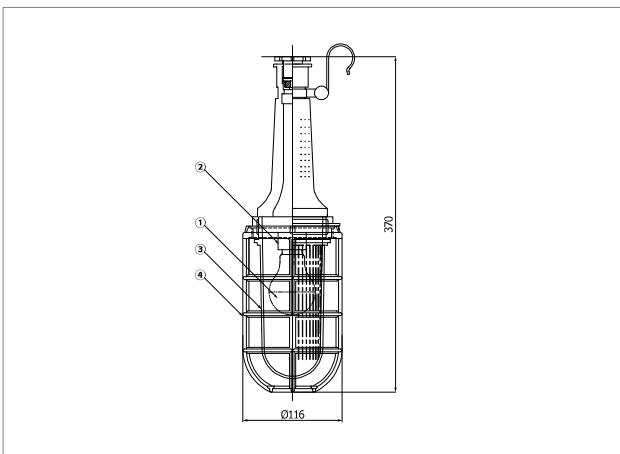


PG-W3PD(W.T)



PG-N3PD(N.W.T)

Technical Drawing



Specification

| Model No. | Capacity | L(mm) | W(mm) | H(mm) | Weight(kg) | Remarks |
|-----------|----------|-------|-------|-------|------------|---------|
| LH11-20PN | 11 W | 116 | 116 | 345 | 3.1 | |
| LH15-20PN | 15 W | 116 | 116 | 370 | 3.1 | |
| LH20-20PN | 20 W | 116 | 116 | 370 | 3.1 | |

LED Pendant Light (Wide Type)

LPC25



Protection degree IP56

Materials

- Body : PBT(Poly Butylene Terephthalate)
- Heatsink : Aluminum (LM6)
- Lens : Polycarbonate

Finish

- Body : Light green color (Munsell No. 7.5BG 7/2)

Light Source

- Power LED : 20 W

Equipment

- Two cable glands M25 (Diameter : 9~17mm cable)

Electrical

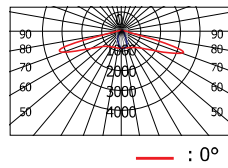
- AC 220 ~ 240 V, 50/60 Hz

Warranty Period

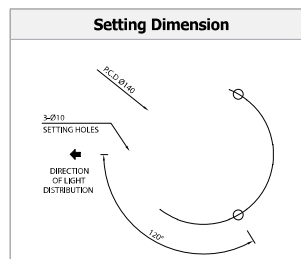
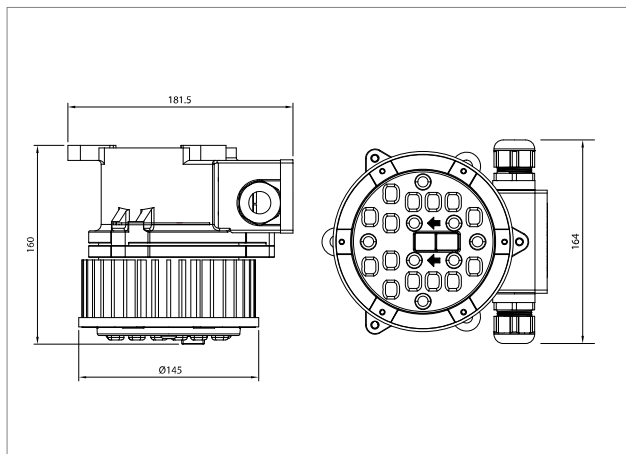
- 5 years



Light Distribution Curve



Technical Drawing



Specification

| Model No. | Capacity | L(mm) | W(mm) | H(mm) | Weight(kg) | Remarks |
|------------|----------|-------|-------|-------|------------|---------|
| LPC25-PSCG | 20 W | 160 | 181.5 | 146 | 1.45 | |

LED Hatch Coaming Light

LHC25



Protection degree IP56

Materials

- Body : PBT(Poly Butylene Terephthalate)
- Heatsink : Aluminum (LM6)
- Lens : Polycarbonate

Finish

- Body : Light green color (Munsell No. 7.5BG 7/2)

Light Source

- Power LED : 20 W

Equipment

- Two cable glands M25 (Diameter : 9~17mm cable)

Electrical

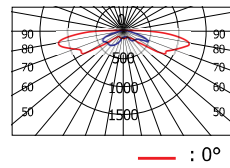
- AC 220 ~ 240 V, 50/60 Hz

Warranty Period

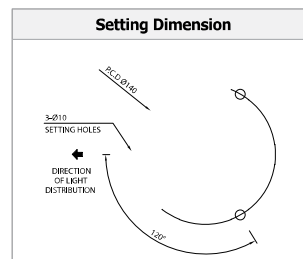
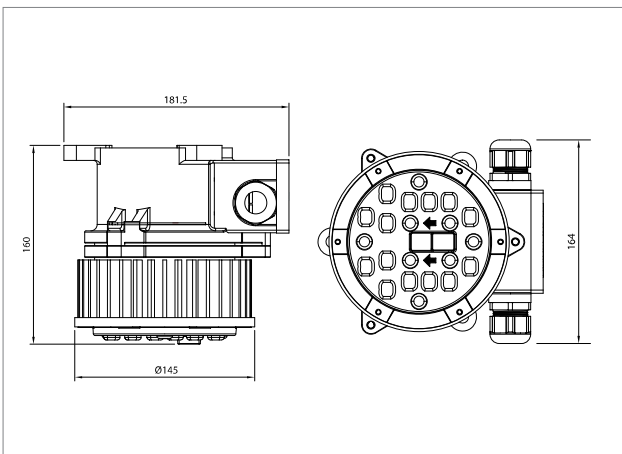
- 5 years



Light Distribution Curve



Technical Drawing



Specification

| Model No. | Capacity | L(mm) | W(mm) | H(mm) | Weight(kg) | Remarks |
|------------|----------|-------|-------|-------|------------|---------|
| LHC25-PSCG | 20 W | 160 | 181.5 | 146 | 1.45 | |

LED Flood Light

PF30L



Protection degree IP66 / IP67

Materials

- Body : Stainless steel sheet deep drawn
- Front glass : Heat and impact resistant glass
- Latch : Stainless steel

Finish

- Body : White epoxy powder coat and stove enameled (Munsell No. N-9.3)

Light Source

- Power LED : 30 W
- TIR Lens : 60°
- *TIR : Total Internal Reflection

Equipment

- Two Cable glands M24 (Diameter : Max. 17 mm cable)
- Vertical adjust : Up 40°, Down 80°

Electrical

- AC 220 ~ 240 V, 50/60 Hz
- Ambient Temperature : -30 °C ~ 45 °C

Option

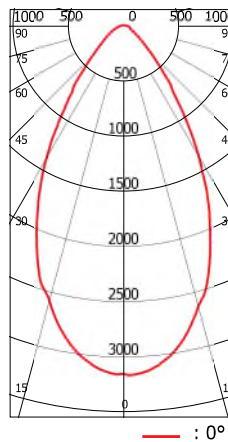
- AC 100 ~ 277 V, 50/60 Hz

Warranty Period

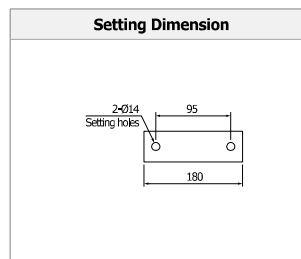
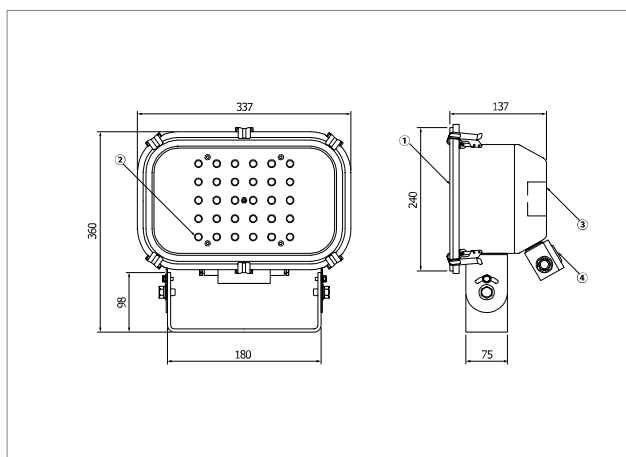
- 5 years



Light Distribution Curve



Technical Drawing



Specification

| Model No. | Capacity | L(mm) | L1(mm) | W(mm) | W1(mm) | H(mm) | Weight(kg) | Remarks |
|--|----------|-------|--------|-------|--------|-------|------------|---------|
| PF30L | 30 W | 137 | 75 | 337 | 180 | 360 | 6.1 | |
| » Equivalent to 300W halogen flood light | | | | | | | | |

LED Flood Light

PF50L



Protection degree IP66 / IP67

Materials

- Body : Stainless steel sheet deep drawn
- Front glass : Heat and impact resistant glass
- Latch : Stainless steel

Finish

- Body : White epoxy powder coat and stove enameled (Munsell No. N-9.3)

Light Source

- Power LED : 50 W
- TIR Lens : 60°
- *TIR : Total Internal Reflection

Equipment

- Two Cable glands M24 (Diameter : Max. 17 mm cable)
- Vertical adjust : Up 40°, Down 80°

Electrical

- AC 220 ~ 240 V, 50/60 Hz
- Ambient Temperature : -30 °C ~ 45 °C

Option

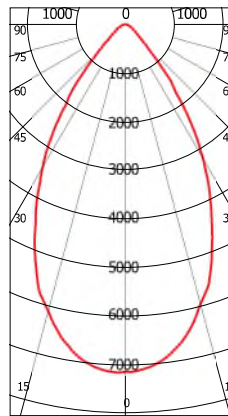
- AC 100 ~ 277 V, 50/60 Hz
- NVG compatible light mode
- *NVG : Night Vision Goggle System

Warranty Period

- 5 years

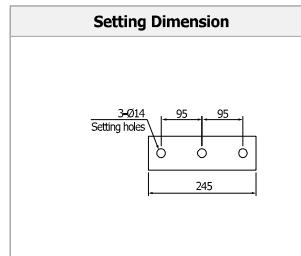
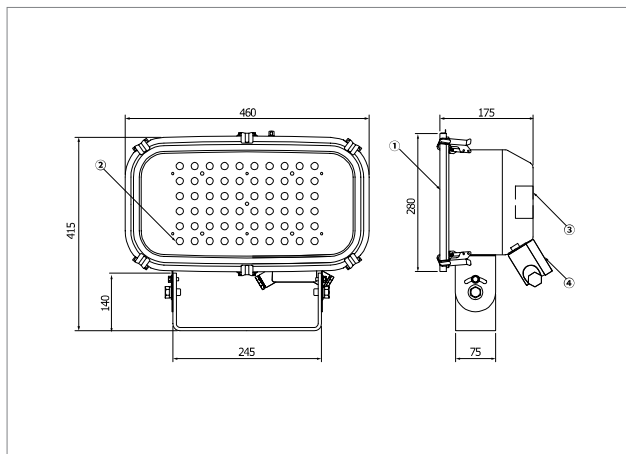


Light Distribution Curve



— : 0°

Technical Drawing



Specification

| Model No. | Capacity | L(mm) | L1(mm) | W(mm) | W1(mm) | H(mm) | Weight(kg) | Remarks |
|-----------|----------|-------|--------|-------|--------|-------|------------|--|
| PF50L | 50 W | 175 | 75 | 460 | 248 | 415 | 9.1 | » Equivalent to 500W halogen flood light |

LED Flood Light

PF60L



Protection degree IP66 / IP67

Materials

- Body : Stainless steel sheet deep drawn
- Front glass : Tempered glass
- Latch : Stainless steel 316L

Finish

- Body : White epoxy powder coat and stove enameled (Munsell No. N-9.3)

Light Source

- Power LED : 60 W
- Array Lens : 60°

Equipment

- Two Cable glands M24 (Diameter : Max. 17 mm cable)
- Vertical adjust : Up 40°, Down 80°

Electrical

- AC 220 ~ 240 V, 50/60 Hz
- Ambient Temperature : -30 °C ~ 45 °C

Luminous Flux

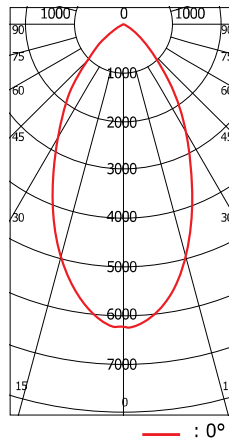
- 6,057 [lm]

Warranty Period

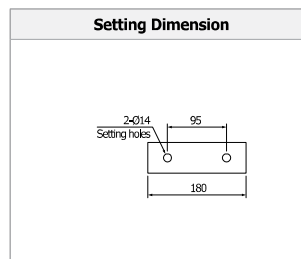
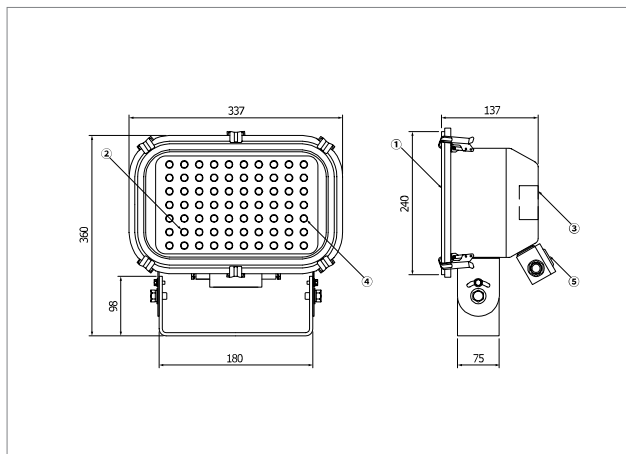
- 5 years



Light Distribution Curve



Technical Drawing



Specification

| Model No. | Capacity | L(mm) | L1(mm) | W(mm) | W1(mm) | H(mm) | Weight(kg) | Remarks |
|--|----------|-------|--------|-------|--------|-------|------------|---------|
| PF60L | 60 W | 137 | 75 | 337 | 180 | 360 | 5.5 | |
| » Equivalent to 500W halogen flood light | | | | | | | | |

LED Flood Light

PF125L



Protection degree IP66 / IP67

Materials

- Body : Aluminium die casting
- Front glass : Heat and impact resistant glass

Finish

- Body : White epoxy powder coat and stove enamelled (Munsell No. N-9.3)

Light Source

- Power LED : 125 W
- TIR Lens : 60°
- *TIR : Total Internal Reflection

Equipment

- Two Cable glands M25 (Diameter : Max. 13 ~ 18 mm cable)
- Vertical adjust (Up: 40°, Down: 60°)

Electrical

- AC 220 ~ 240 V, 50/60 Hz
- Ambient Temperature : -30 °C ~ 45 °C

Option

- AC 100 ~ 277 V, 50/60 Hz

Luminous Efficacy

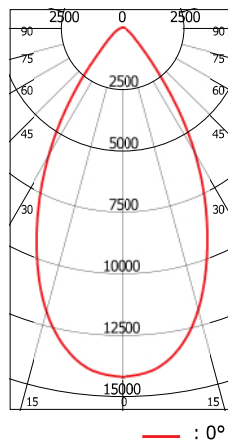
- Beam angle : 60°
- 17,584 lm

Warranty Period

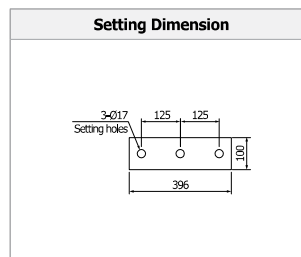
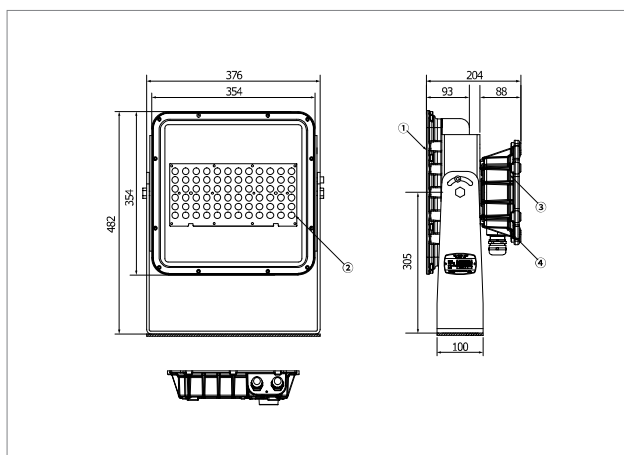
- 5 years



Light Distribution Curve



Technical Drawing



Specification

| Model No. | Capacity | L(mm) | W(mm) | H(mm) | Weight(kg) | Remarks |
|--|----------|-------|-------|-------|------------|---------|
| PF125L | 125 W | 204 | 376 | 482 | 21 | |
| » Equivalent to 250 W sodium flood light | | | | | | |

LED Flood Light

PF250L



Protection degree IP66 / IP67

Materials

- Body : Aluminium die casting
- Front glass : Heat and impact resistant glass

Finish

- Body : White epoxy powder coat and stove enamelled (Munsell No. N-9.3)

Light Source

- Power LED : 250 W
- TIR Lens : 60°
- *TIR : Total Internal Reflection

Equipment

- Two Cable glands M25 (Diameter : Max. 13 ~ 18 mm cable)
- Vertical adjust (Up: 40°, Down: 60°)

Electrical

- AC 220 ~ 240 V, 50/60 Hz
- Ambient Temperature : -30 °C ~ 45 °C

Option

- AC 100 ~ 277 V, 50/60 Hz

Luminous Efficacy

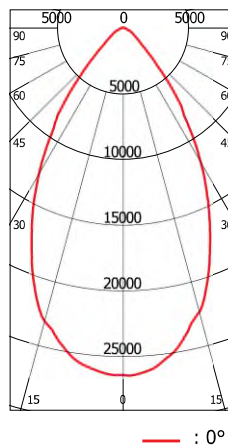
- Beam angle : 60°
- 36,111 lm

Warranty Period

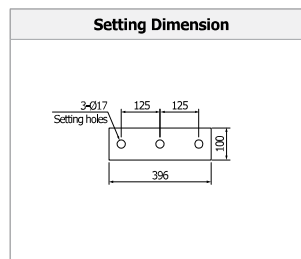
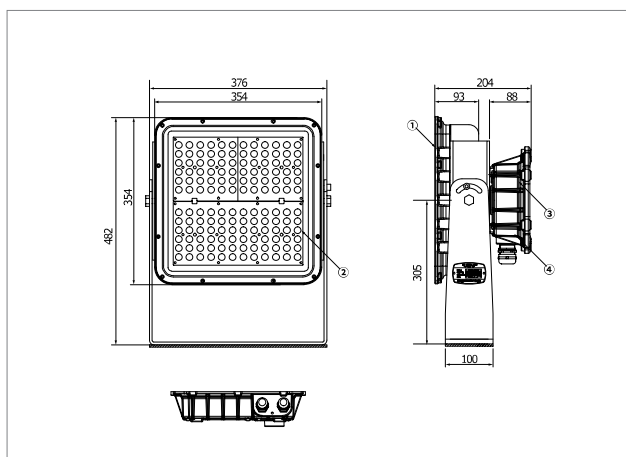
- 5 years



Light Distribution Curve



Technical Drawing



Specification

| Model No. | Capacity | L(mm) | W(mm) | H(mm) | Weight(kg) | Remarks |
|--|----------|-------|-------|-------|------------|---------|
| PF250L | 250 W | 204 | 376 | 482 | 21 | |
| » Equivalent to 400 W sodium flood light | | | | | | |

LED Flood Light

PF400L



Protection degree IP66 / IP67

Materials

- Body : Aluminium die casting
- Front glass : Heat and impact resistant glass

Finish

- Body : White epoxy powder coat and stove enamelled (Munsell No. N-9.3)

Light Source

- Power LED : 400 W
- TIR Lens : 60°
- *TIR : Total Internal Reflection

Equipment

- Two Cable glands M24 (Diameter : Max. 17 mm cable)
- Vertical adjust (Up: 40°, Down: 60°)

Electrical

- AC 220 ~ 240 V, 50/60 Hz
- Ambient Temperature : -30 °C ~ 45 °C

Option

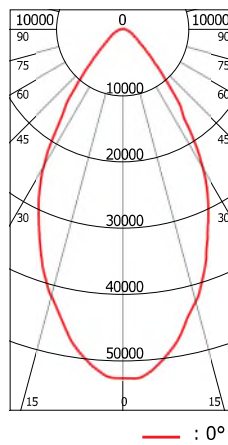
- AC 100 ~ 277 V, 50/60 Hz

Warranty Period

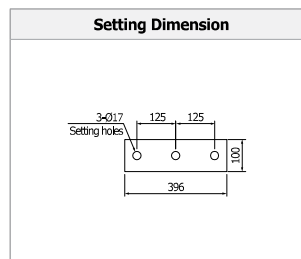
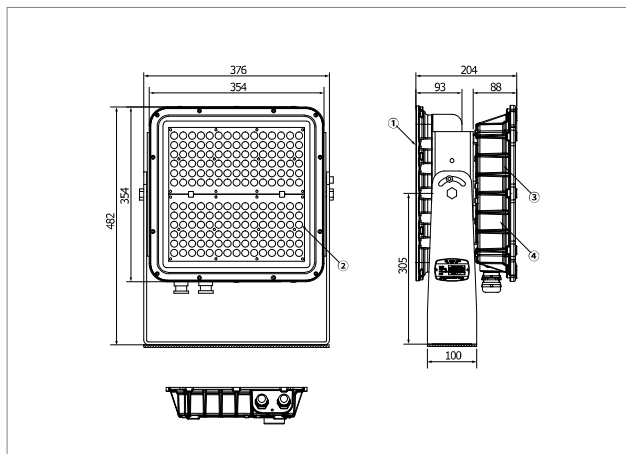
- 5 years



Light Distribution Curve



Technical Drawing



Specification

| Model No. | Capacity | L(mm) | W(mm) | H(mm) | Weight(kg) | Remarks |
|---|----------|-------|-------|-------|------------|---------|
| PF400L | 400 W | 204 | 376 | 482 | 24 | |
| » Equivalent to 400 W X2 sodium flood light | | | | | | |

LED Flood Light

PFO250L-D15 / PFO400L-D15



PFO400L-D15

Protection degree IP66 / IP67

Materials

- Body : Seawater resistant aluminum
- Arm : Stainless steel 316L
- Globe : Polycarbonate

Finish

- White epoxy powder coat and stove enamelled (Munsell No. N-9.3)

Electrical

- AC 220 ~ 240 V, 50/60 Hz
- Ambient Temperature : -30 °C ~ 45 °C
- Power consumption : 400 W

Luminous Efficacy

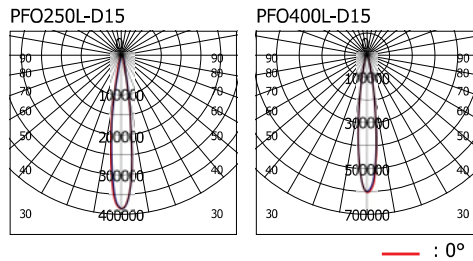
- Beam angle : 15°
- PFO250L-D15 : 34,906 lm
- PFO400L-D15 : 55,592 lm

Warranty Period

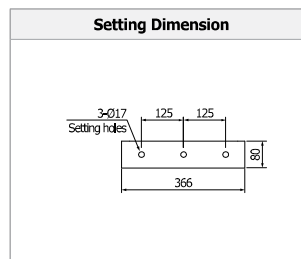
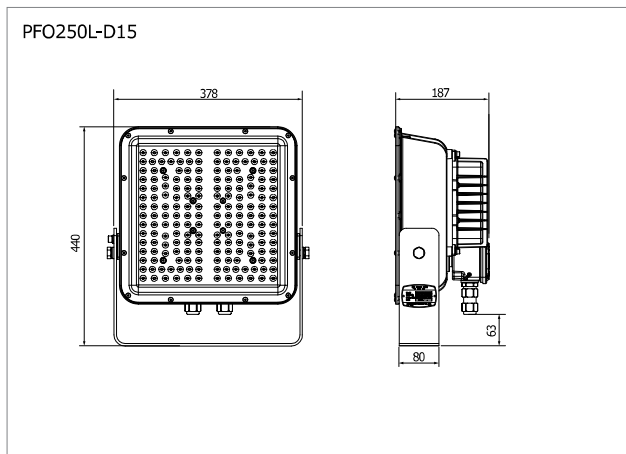
- 5 years



Light Distribution Curve



Technical Drawing



Specification

| Model No. | Capacity | L(mm) | H(mm) | D(mm) | Weight(kg) | Remarks |
|-------------|----------|-------|-------|-------|------------|---------|
| PFO250L-D15 | 250 W | 378 | 440 | 187 | 18 | |
| PFO400L-D15 | 400 W | 378 | 440 | 187 | 18 | |

LED Flood Light

PFO125L / PFO250L / PFO350L



Protection degree IP66 / IP67

Materials

- Body : Seawater resistant aluminum
- Arm : Stainless steel 316L
- Globe : Polycarbonate

Finish

- White epoxy powder coat and stove enamelled (Munsell No. N-9.3)

Electrical

- PFO125L, PFO250L : AC 100 ~ 240 V, 50 Hz
- PFO350L : AC 220 ~ 240 V, 50/60 Hz
- Ambient Temperature : -30 °C ~ 45 °C
- Power consumption : 125 W, 250 W, 350 W

Luminous Efficacy

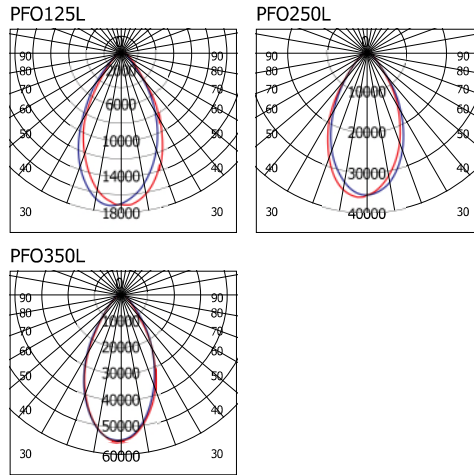
- Beam angle : 60°
- PFO125L : 17,584 lm
- PFO250L : 36,111 lm
- PFO350L : 52,869 lm

Warranty Period

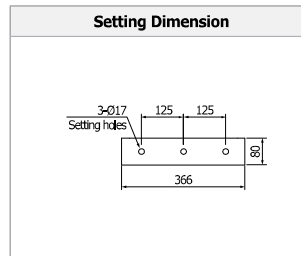
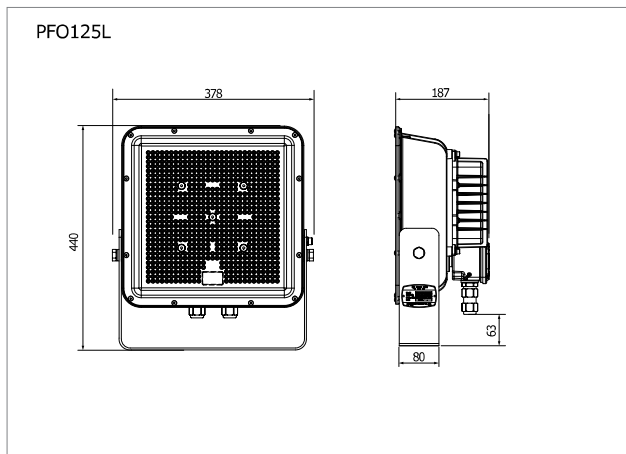
- 5 years

| | | | | | | | |
|-----|--------|-------|-------|-------------|-------------|-------|----------|
| LED | 5 YEAR | IP 66 | IP 67 | AC 100-240V | AC 220-240V | Hz 50 | Hz 50/60 |
|-----|--------|-------|-------|-------------|-------------|-------|----------|

Light Distribution Curve



Technical Drawing



Specification

| Model No. | Capacity | L(mm) | H(mm) | D(mm) | Weight(kg) | Remarks |
|-----------|----------|-------|-------|-------|------------|---------|
| PFO125L | 125 W | 378 | 440 | 187 | 18 | |
| PFO250L | 250 W | 378 | 440 | 187 | 18 | |
| PFO350L | 350 W | 378 | 440 | 187 | 18 | |

LED Flood Light

PFO600L



Protection degree IP66 / IP67

Materials

- Body : Seawater resistant aluminum
- Arm : Stainless steel 316L
- Globe : Polycarbonate

Finish

- White epoxy powder coat and stove enamelled (Munsell No. N-9.3)

Electrical

- AC 220 ~ 240 V, 50 Hz
- Ambient Temperature : -30 °C ~ 45 °C
- Power consumption : 600 W

Luminous Efficacy

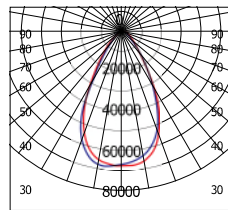
- Beam angle : 60°
- 70,068 lm

Warranty Period

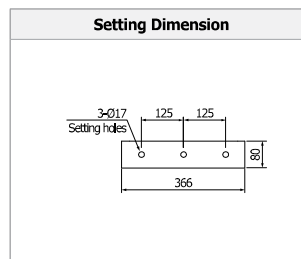
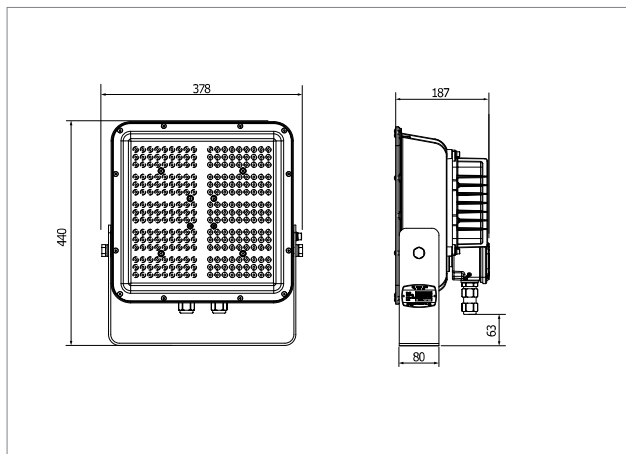
- 5 years



Light Distribution Curve



Technical Drawing



Specification

| Model No. | Capacity | L(mm) | H(mm) | D(mm) | Weight(kg) | Remarks |
|-----------|----------|-------|-------|-------|------------|---------|
| PFO600L | 600 W | 378 | 440 | 187 | 19 | |

LED Flood Light

PFO300L

Protection degree IP66 / IP67

Materials

- Body : Seawater resistant aluminum
- Arm : Stainless steel 316L
- Globe : Polycarbonate

Finish

- White epoxy powder coat and stove enamelled (Munsell No. N-9.3)

Electrical

- AC 100 ~ 240 V, 50 Hz
- Ambient Temperature : -30 °C ~ 45 °C
- Power consumption : 300 W

Luminous Efficacy

- Beam angle : 60°
- PFO300L : 45,480 lm

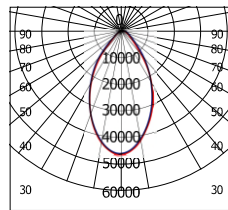
Warranty Period

- 5 years

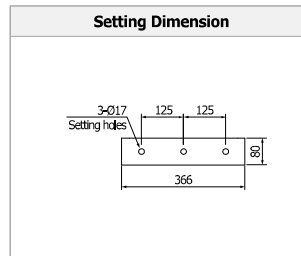
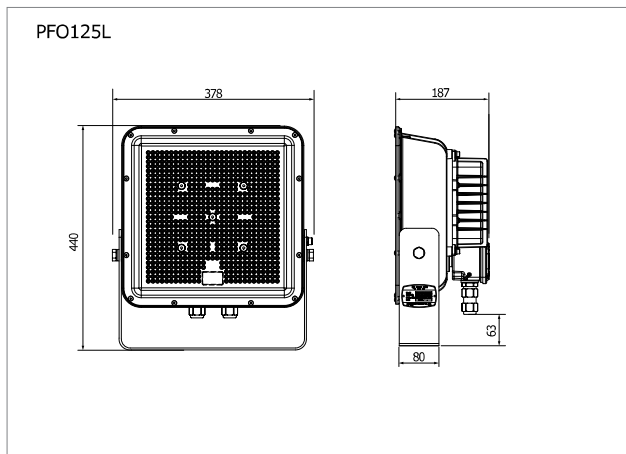


| | | | | | | | |
|-----|--------|-------|-------|----------|----------|----|-------|
| LED | 5 YEAR | IP 66 | IP 67 | 100-240V | 220-240V | Hz | Hz |
| | | | | | | 50 | 50/60 |

Light Distribution Curve



Technical Drawing



Specification

| Model No. | Capacity | L(mm) | H(mm) | D(mm) | Weight(kg) | Remarks |
|-----------|----------|-------|-------|-------|------------|---------|
| PFO300L | 300 W | 378 | 440 | 187 | 18 | |

LED Flood Light

PF100AL



Protection degree IP66 / IP67

Materials

- Heatsink : Aluminum alloy (A6063)
- Body frame & Arm : Stainless steel 316L
- Lens cover : Polycarbonate

Finish

- White epoxy powder coat and stove enamelled (Munsell No. N-9.3)

Electrical

- AC 220 ~ 240 V, 50/60 Hz
- Ambient Temperature : -30 °C ~ 45 °C
- Power consumption : 100 W

Luminous Efficacy

- 130 lm/W (Beam angle : 60 °)

Warranty Period

- 5 years



LED Circle Flood Light

PF150AL

Clear

Milky



Protection degree IP56

Materials

- Body : Aluminium die casting
- Globe : Clear polycarbonate / Milky polycarbonate
- Arm : Stainless steel

Finish

- Body : White epoxy powder coat and stove enamelled (Munsell No. N-9.3)

Light Source

- Power LED : 150W

Equipment

- Four cable glands : PG21(Diameter : Max. 19 mm cable)
- Vertical adjust(Up : 60° , Down : 60°)

Electrical

- Input : AC220~240V , 50/60Hz
- IC driving type (AC direct type)
- Ambient Temperature : -25°C ~ 50°C (T_{Amin}~T_{Amax} Optional)

Option

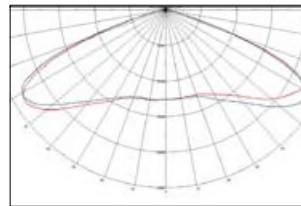
- Clear Lens (Beam angle 140°)
- Milky Lens (Beam angle 122°)

Warranty Period

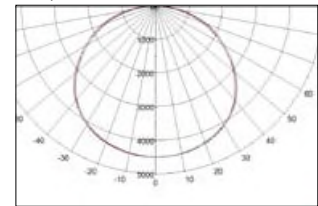
- 5 years

Light Distribution Curve

Clear Lens

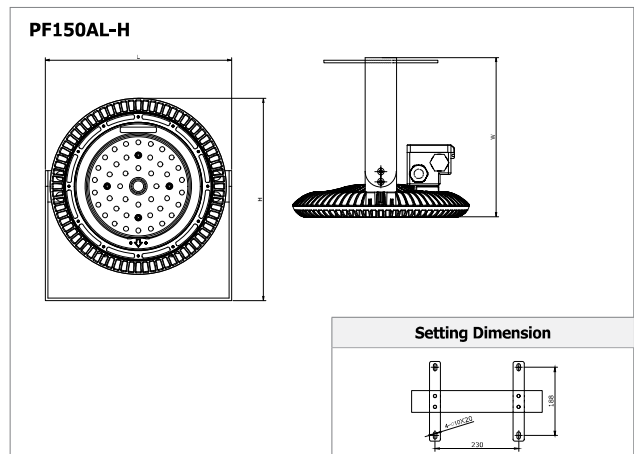
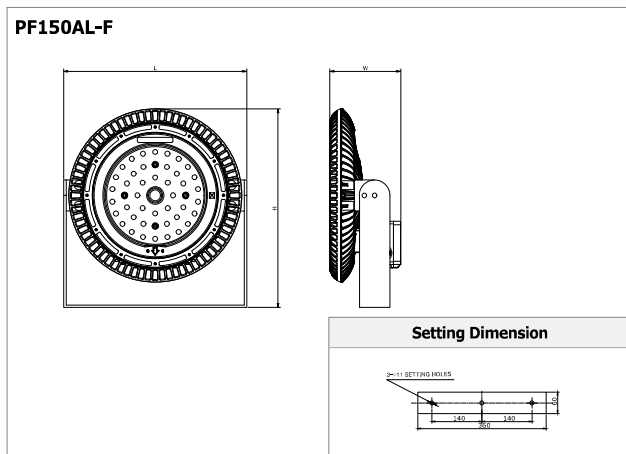


Milky Lens



— : 0°

Technical Drawing



Specification

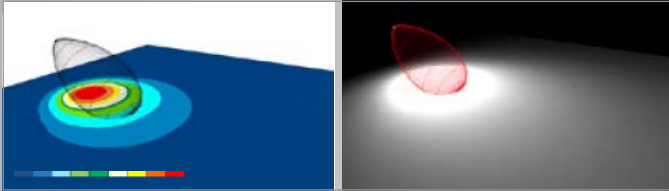
| Model No. | Capacity | L(mm) | W(mm) | H(mm) | Weight(kg) | Remarks |
|-----------|----------|-------|-------|-------|------------|--------------|
| PF150AL-F | 150 W | 360 | 140 | 390 | 7 | Fixed Type |
| PF150AL-H | 150 W | 360 | 308 | 390 | 7.5 | Hanging Type |

ASYMMETRIC LED FLOOD LIGHT

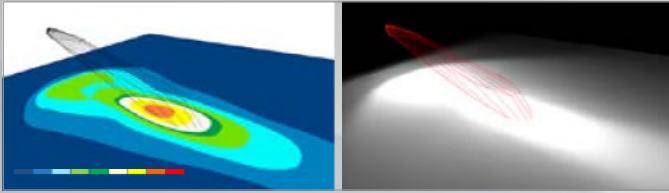
Optimized with an asymmetric beam angle, this floodlight provides more effective illumination for targeted areas compared to standard symmetric LED floodlights.

The new floodlight minimizes light spill outside the target area and improves uniformity, allowing it to meet on-deck illuminance standards with fewer units. Ideal for marine on-deck applications.

LED Flood Light

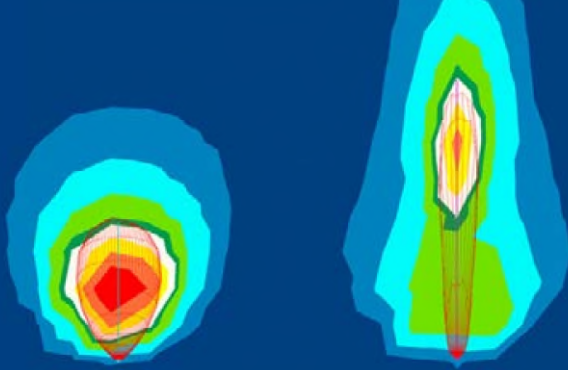


New LED Flood Light ASYMMETRY BEAM TYPE



LED Flood Light

New LED Flood Light



ASYMMETRIC LED FLOOD LIGHT

PFOS400L



Protection degree IP 66 / IP 67

Materials

- Body : Seawater resistant aluminum (LM6)
- Arm : Stainless steel 316L
- Globe : Polycarbonate

Finish

- White epoxy powder coat and stove enamelled (Munsell No. N-9.3)

Ambient Temperature

- -30 °C ~ +50 °C

Electrical

- AC 100~127 V, AC 220~240 V, 50/60 Hz
- Power consumption : 400 W

Luminous Efficacy

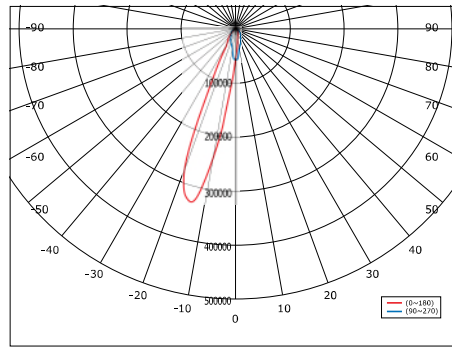
- 56,000 lm

Warranty Period

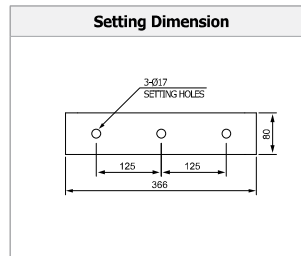
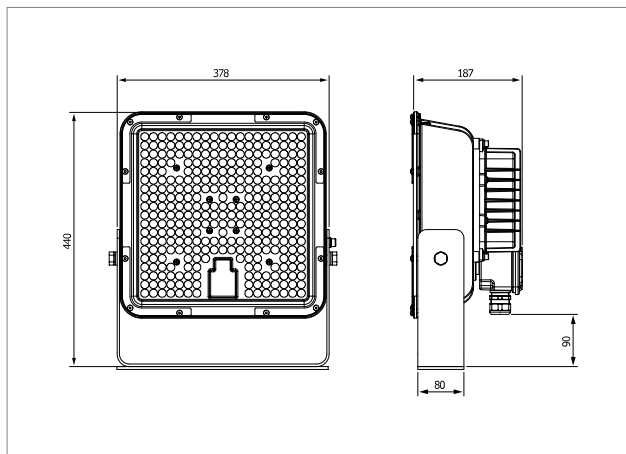
- 5 years



Light Distribution Curve



Technical Drawing



Specification

| Model No. | Capacity | L(mm) | W(mm) | H(mm) | Weight(kg) | Remarks |
|-----------|----------|-------|-------|-------|------------|---------|
| PFOS400L | 400 W | 378 | 440 | 187 | 18 | |

ASYMMETRIC LED FLOOD LIGHT

PFOS600L



Protection degree IP 66 / IP 67

Materials

- Body : Seawater resistant aluminum (LM6)
- Arm : Stainless steel 316L
- Globe : Polycarbonate

Finish

- White epoxy powder coat and stove enamelled (Munsell No. N-9.3)

Ambient Temperature

- -30 °C ~ +50 °C

Electrical

- AC 220~240 V, 50/60 Hz
- Power consumption : 600 W

Luminous Efficacy

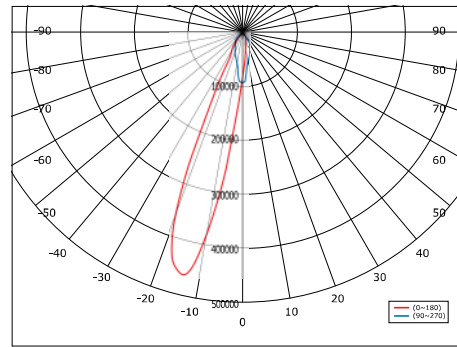
- 82,000 lm

Warranty Period

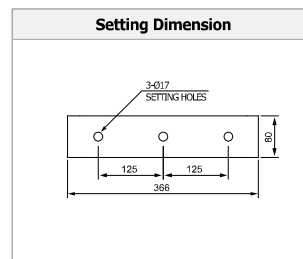
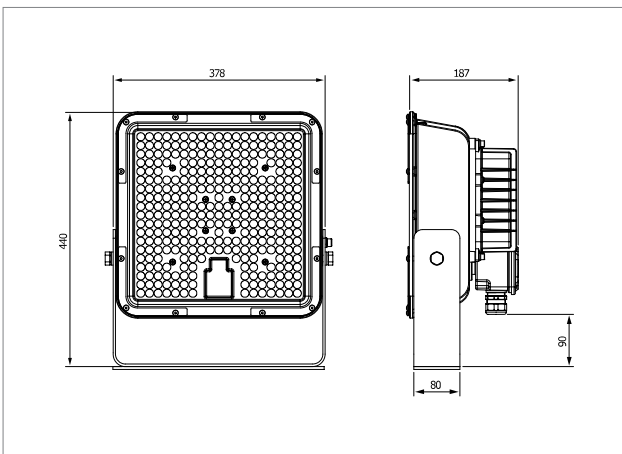
- 5 years



Light Distribution Curve



Technical Drawing



Specification

| Model No. | Capacity | L(mm) | W(mm) | H(mm) | Weight(kg) | Remarks |
|-----------|----------|-------|-------|-------|------------|---------|
| PFOS600L | 600 W | 378 | 440 | 187 | 19 | |

LED Explosion Proof Surface Ceiling Light

EXLED-125edO



Protection degree IP 56, IP 66, IP 67

Explosion degree

- Ex db eb mb IIC T5 Gb (-35 °C ≤ Ta ≤ +45 °C)
- Standard : IEC 60079-0 / IEC 60079-1
IEC 60079-7 / IEC 60079-18

Materials

- Body : Stainless steel
- Globe : Polycarbonate

Finish

- Body: White epoxy powder coat and stove enamelled (Munsell No. N-9.3)

Light Source

- Top View LED : 20 W
- LED module : Silicon Molding Type

Equipment

- Cable gland : M20, M25, NPT1/2", NPT3/4"

Electrical

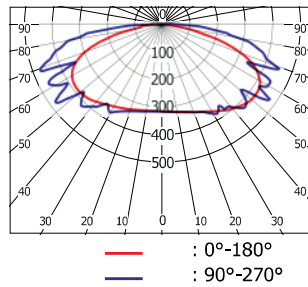
- AC 100 ~ 120 V / AC 220 ~ 240 V, 50/60 Hz

Warranty Period

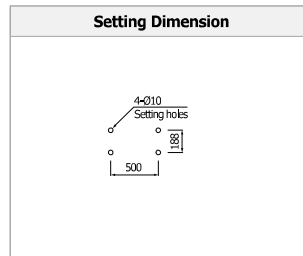
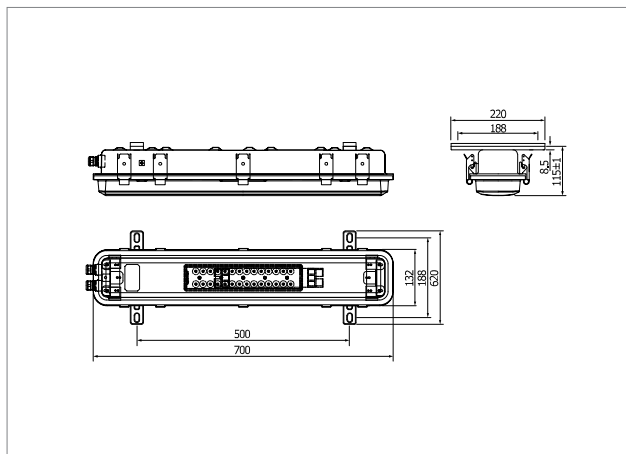
- 5 years



Light Distribution Curve



Technical Drawing



Specification

| Model No. | Capacity | L(mm) | W(mm) | H(mm) | Weight(kg) | Remarks |
|--------------|----------|-------|-------|-------|------------|---------|
| EXLED-125edO | 20 W X 1 | 700 | 220 | 115 | 3,9 | |

LED Explosion Proof Surface Ceiling Light

EXLED-212edO



Protection degree IP 56, IP 66, IP 67

Explosion degree

- Ex db eb mb IIC T6 Gb (-35 °C ≤ Ta ≤ +45 °C)
- Standard : IEC 60079-0 / IEC 60079-1
IEC 60079-7 / IEC 60079-18

Materials

- Body : Stainless steel
- Globe : Polycarbonate

Finish

- Body : White epoxy power coat and stove enamelled (Munsell No. N-9.3)

Light Source

- Top View LED : 20 W
- LED module : Silicon Molding Type

Equipment

- Cable gland : M20, M25, NPT1/2", NPT3/4"

Electrical

- AC 100 ~ 120 V / AC 220 ~ 240 V, 50/60 Hz

Luminous Flux

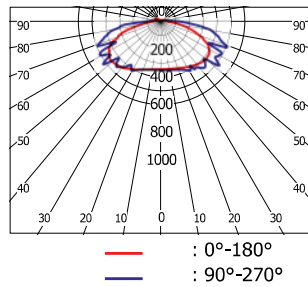
- 2,339 [lm]

Warranty Period

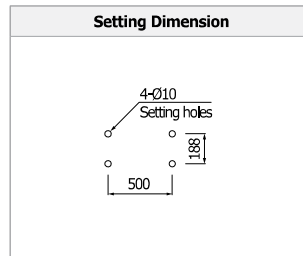
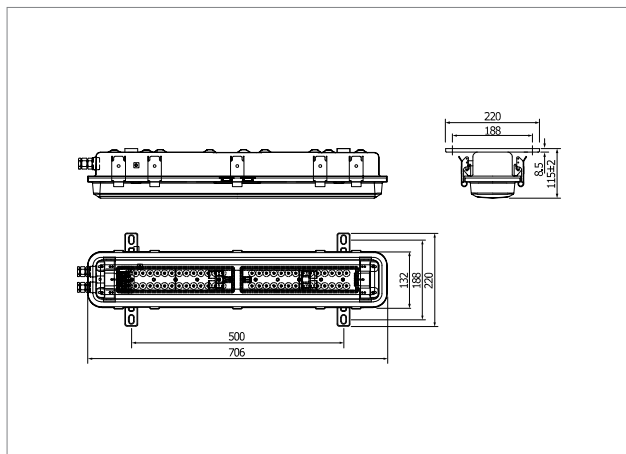
- 5 years



Light Distribution Curve



Technical Drawing



Specification

| Model No. | Capacity | L(mm) | W(mm) | H(mm) | Weight(kg) | Remarks |
|--------------|----------|-------|-------|-------|------------|---------|
| EXLED-212edO | 10 W X 2 | 706 | 220 | 115 | 4.1 | |

LED Explosion Proof Surface Ceiling Light

EXLED-225edO



Protection degree IP 56, IP 66, IP 67

Explosion degree

- Ex db eb mb IIC T5 Gb (-35 °C ≤ Ta ≤ +45 °C)
- Standard : IEC 60079-0 / IEC 60079-1
IEC 60079-7 / IEC 60079-18

Materials

- Body : Stainless steel
- Globe : Polycarbonate

Finish

- Body: White epoxy powder coat and stove enamelled (Munsell No. N-9.3)

Light Source

- Top View LED :40 W
- LED module : Silicon Molding Type

Equipment

- Cable gland : M20, M25, NPT1/2", NPT3/4"

Electrical

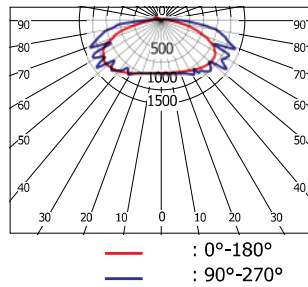
- AC 100 ~ 120 V / AC 220 ~ 240 V, 50/60 Hz

Warranty Period

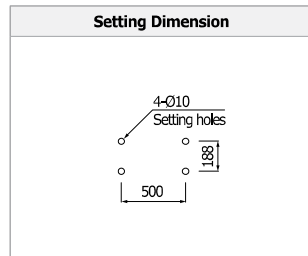
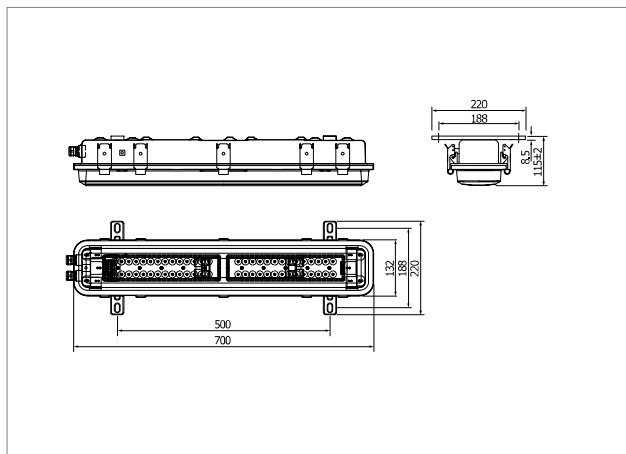
- 5 years



Light Distribution Curve



Technical Drawing



Specification

| Model No. | Capacity | L(mm) | W(mm) | H(mm) | Weight(kg) | Remarks |
|--------------|----------|-------|-------|-------|------------|---------|
| EXLED-225edO | 20 W X 2 | 700 | 220 | 115 | 4.1 | |

LED Explosion Proof Surface Ceiling Light (Battery back-up)



EXLED-212edOBu

Protection degree IP 56, IP 66, IP 67

Explosion degree

- Ex db eb mb IIC T5 Gb (-35 °C ≤ Ta ≤ +45 °C)
- Area classification : ZONE1
- Standard : IEC 60079-0 / IEC 60079-1
IEC 60079-7 / IEC 60079-18

Materials

- Body : Stainless steel 316L
- Globe : Polycarbonate

Finish

- Body: White epoxy powder coat and stove enamelled (Munsell No. N-9,3)

Light Source

- Top View LED :20 W
- LED module : Silicon Molding Type

Equipment

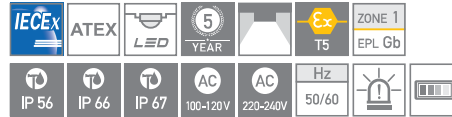
- Cable gland : M20, M25, NPT1/2", NPT3/4"

Electrical

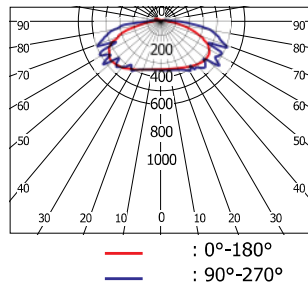
- AC 100 ~ 120 V / AC 220 ~ 240 V, 50/60 Hz
- Emergency duration : 3 hours

Warranty Period

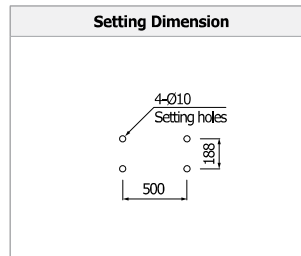
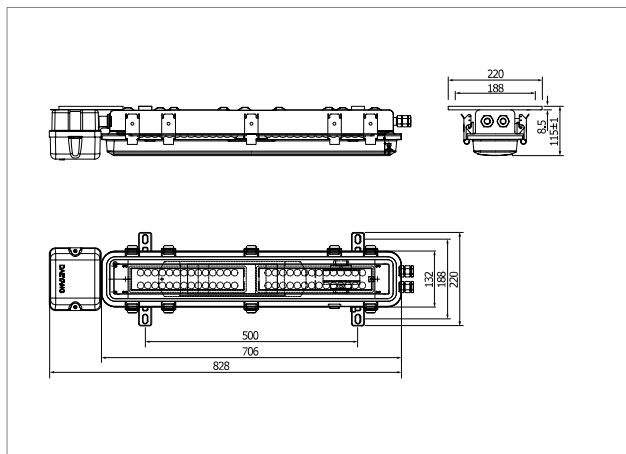
- 5 years



Light Distribution Curve



Technical Drawing



Specification

| Model No. | Capacity | L(mm) | W(mm) | H(mm) | Weight(kg) | Remarks |
|----------------|----------|-------|-------|-------|------------|---------|
| EXLED-212edOBu | 10 W X 2 | 828 | 220 | 115 | 5 | 3 hours |

LED Explosion Proof Surface Ceiling Light (Battery back-up)



EXLED-225edOBu

Protection degree IP 56, IP 66, IP 67

Explosion degree

- Ex db eb mb IIC T5 Gb (-35 °C ≤ Ta ≤ +45 °C)
- Standard : IEC 60079-0 / IEC 60079-1
IEC 60079-7 / IEC 60079-18

Materials

- Body : Stainless steel
- Globe : Polycarbonate

Finish

- Body: White epoxy powder coat and stove enamelled (Munsell No. N-9.3)

Light Source

- Top View LED :40 W
- LED module : Silicon Molding Type

Equipment

- Cable gland : M20, M25, NPT1/2", NPT3/4"

Electrical

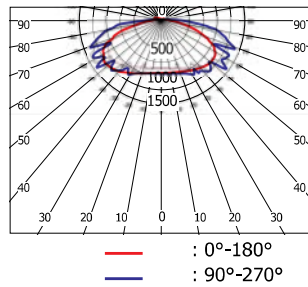
- AC 100 ~ 120 V / AC 220 ~ 240 V, 50/60 Hz
- Emergency duration : 1.5 hours

Warranty Period

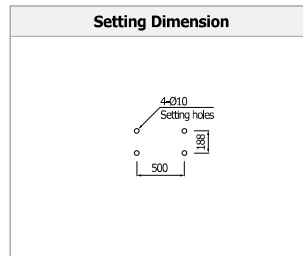
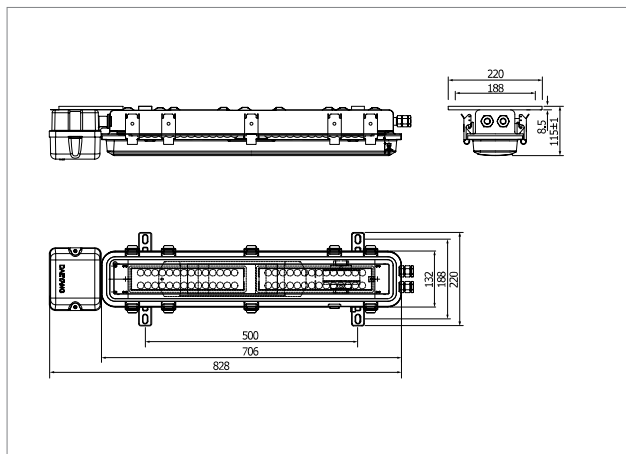
- 5 years



Light Distribution Curve



Technical Drawing



Specification

| Model No. | Capacity | L(mm) | W(mm) | H(mm) | Weight(kg) | Remarks |
|----------------|----------|-------|-------|-------|------------|-----------|
| EXLED-225edOBu | 20 W X 2 | 828 | 220 | 115 | 5 | 1,5 hours |