

# Explosion Proof Fluorescent Ceiling Light

Fx-dc-FG



## Protection degree IP66 / IP67

- Explosion degree : Ex d IIC T6 Gb  
(-25 °C ≤ Ta ≤ 50 °C)
- Standard : IEC 60079-0 and IEC 60079-1

## Materials

- Body : Aluminium die casting (LM6)
- Globe : Hard and impact resistant glass

## Finish

- Body : Yellow epoxy powder coat and stove enamelled

## Equipment

- Fluorescent lamp : 18 W, 36 W
- Light sources : T26
- Lamp base : G13
- Two cable glands : M20

## Electrical

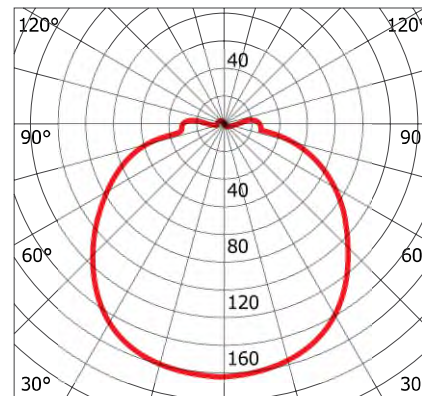
- AC 220~240 V, 50/60 Hz
- Ballast : Electronic

## Option

- AC 100~277 V, 50/60 Hz
- Cable gland : M25, NPT1/2", NPT3/4"
- Anti-vibration packing



## Light Distribution Curve



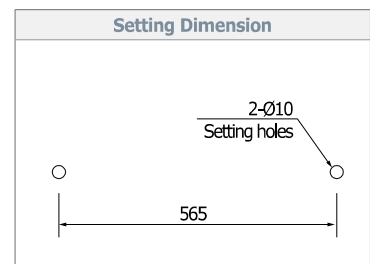
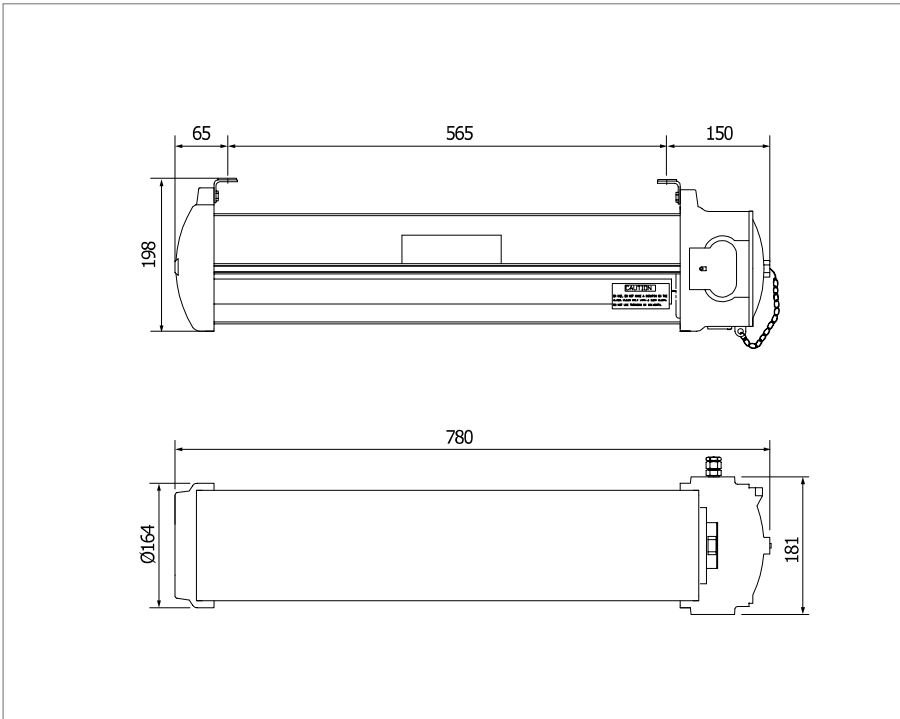
## Specification

Model No.	Capacity	L(mm)	W(mm)	H(mm)	Weight(kg)	Remarks
<b>FX-220dC-1-FG</b>	18 W X 2	780	181	186	7.78	1gland
<b>FX-220dC-2-FG</b>	18 W X 2	780	181	186	7.78	2gland
<b>FX-240dC-1-FG</b>	36 W X 2	1395	181	186	10.6	1gland
<b>FX-240dC-2-FG</b>	36 W X 2	1395	181	186	10.6	2gland



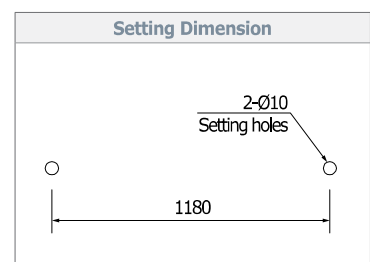
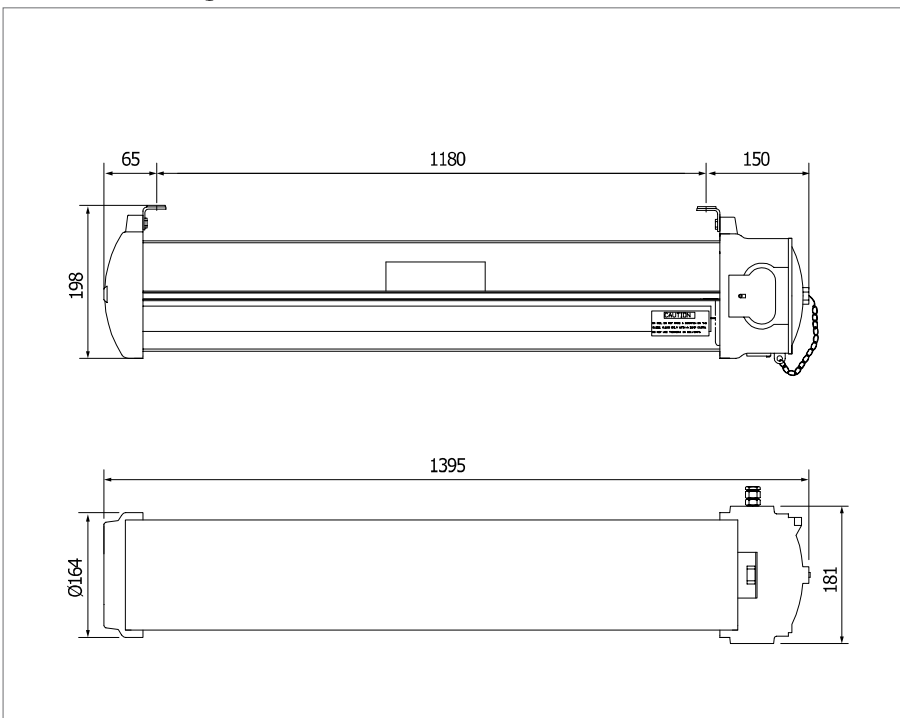
**FX-220dC-FG**

**Technical Drawing**



**FX-240dC-FG**

**Technical Drawing**



# Explosion Proof Fluorescent Ceiling Light

FL-edg-G



## Protection degree IP66 / IP67

- Explosion degree : Ex demb IIC T4 Gb  
(-25 °C ≤ Ta ≤ 50 °C)
- Standard : IEC60079-0 and IEC60079-1  
IEC60079-7 and IEC60079-18

## Materials

- Body & Bar : GRP (Glassfiber Reinforced Polyester)
- Globe : Clear polycarbonate
- Reflector : Electro zinc coated steel sheet

## Finish

- Body & Bar : RAL 7047
- Reflector : White epoxy powder coat and stove enamelled (Munsell No. N-9.3)

## Equipment

- Fluorescent lamp : 18 W / 36 W
- Light sources : T26
- Lamp base : G13
- Cable gland : M20

## Electrical

- AC 220~250 V, 50/60 Hz
- Anti-vibration packing
- Ballast : Electronic

## Option

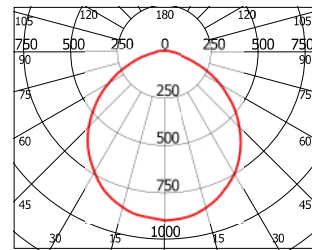
- AC 110~127 V
- Cable gland : M25, NPT1/2", NPT3/4"
- Mounting Bracket (NM),  
Hook Bracket (HO),  
M8 Eyebolt (NH)



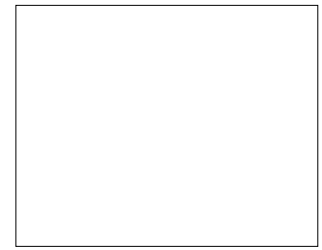
Interlock Switch

## Light Distribution Curve

FL-220edg



FL-240edg



— : 0°

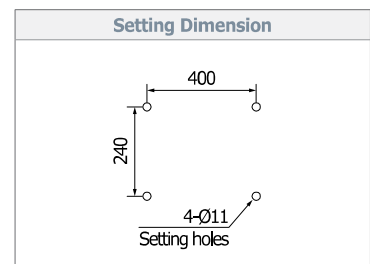
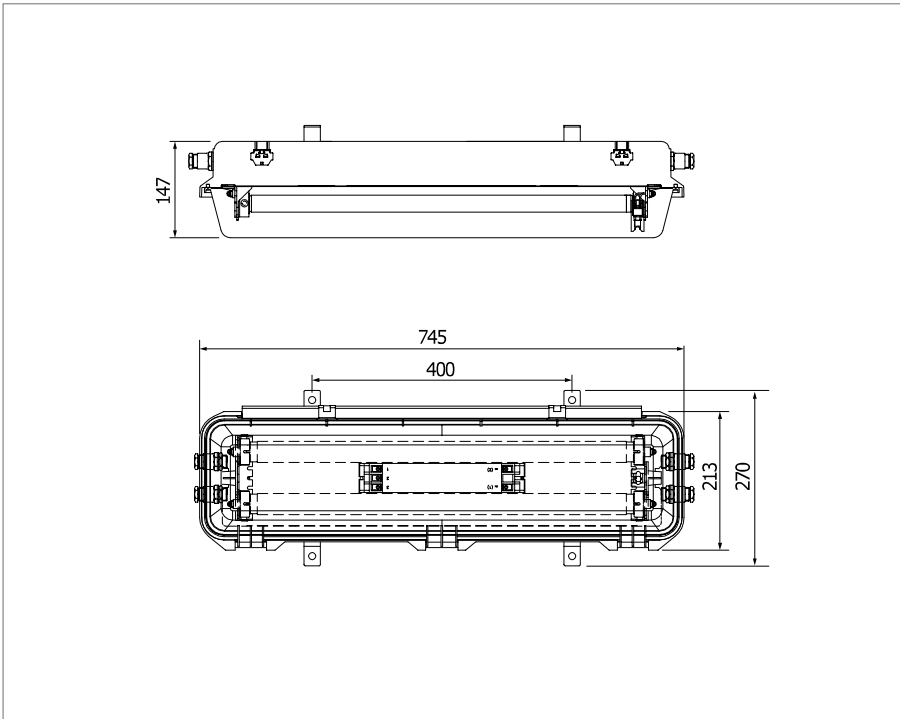
## Specification

Model No.	Capacity	L(mm)	W(mm)	H(mm)	Weight(kg)	Remarks
FL-220edgGNM	18 W X 2	745	270	147	5.5	Mounting bracket
FL-220edgGHO	18 W X 2	745	270	147	5.5	Hook bracket
FL-220edgGNH	18 W X 2	745	270	147	5.5	M8 Eyebolt
FL-240edgGNM	36 W X 2	1350	270	147	5.5	Mounting bracket
FL-240edgGHO	36 W X 2	1350	270	147	5.5	Hook bracket
FL-240edgGNH	36 W X 2	1350	270	147	5.5	M8 Eyebolt



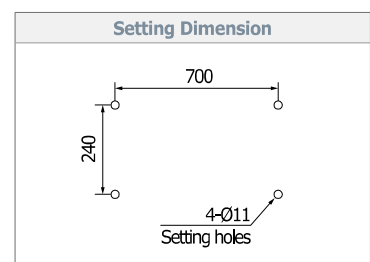
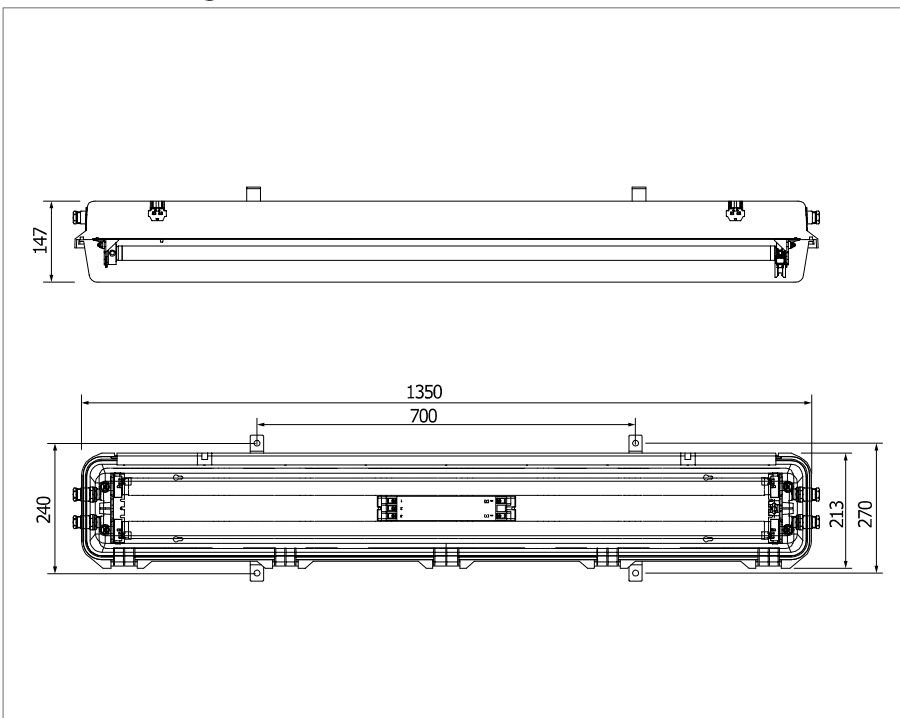
### FL-220edgG

#### Technical Drawing



### FL-240edgG

#### Technical Drawing



# Explosion Proof Fluorescent Ceiling Light (Battery back-up)

FL-edgBu-G



**Protection degree** IP66 / IP67

- Explosion degree : Ex demb IIC T4 Gb (-25 °C ≤ Ta ≤ 50 °C)
- Standard : IEC60079-0 and IEC60079-1 IEC60079-7 and IEC60079-18

**Materials**

- Body & Bar : GRP (Glassfiber Reinforced Polyester)
- Globe : Clear polycarbonate
- Reflector : Electro zinc coated steel sheet

**Finish**

- Body & Bar : RAL 7047
- Reflector : White epoxy powder coat and stove enamelled (Munsell No. N-9.3)

**Equipment**

- Fluorescent lamp : 18 W / 36 W
- Light sources : T26
- Lamp base : G13
- Cable gland : M20
- Battery : Ni-cd, 6 V, 4500mAH
- Battery discharging time : 3hr (18 W), 1.5hr (36 W)

**Electrical**

- AC 100~254 V, 50/60 Hz
- Anti-vibration packing
- Ballast : Electronic

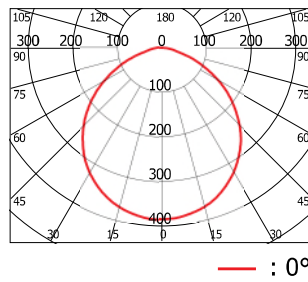
**Option**

- Cable gland : M25, NPT1/2", NPT3/4"
- Mounting Bracket (NM), Hook Bracket (HO), M8 Eyebolt (NH)



Interlock Switch

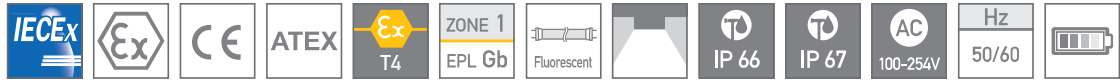
**Light Distribution Curve**



— : 0°

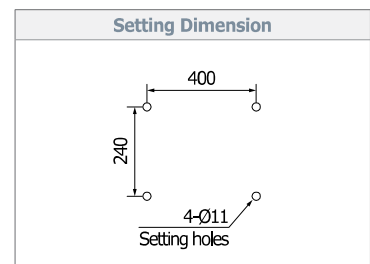
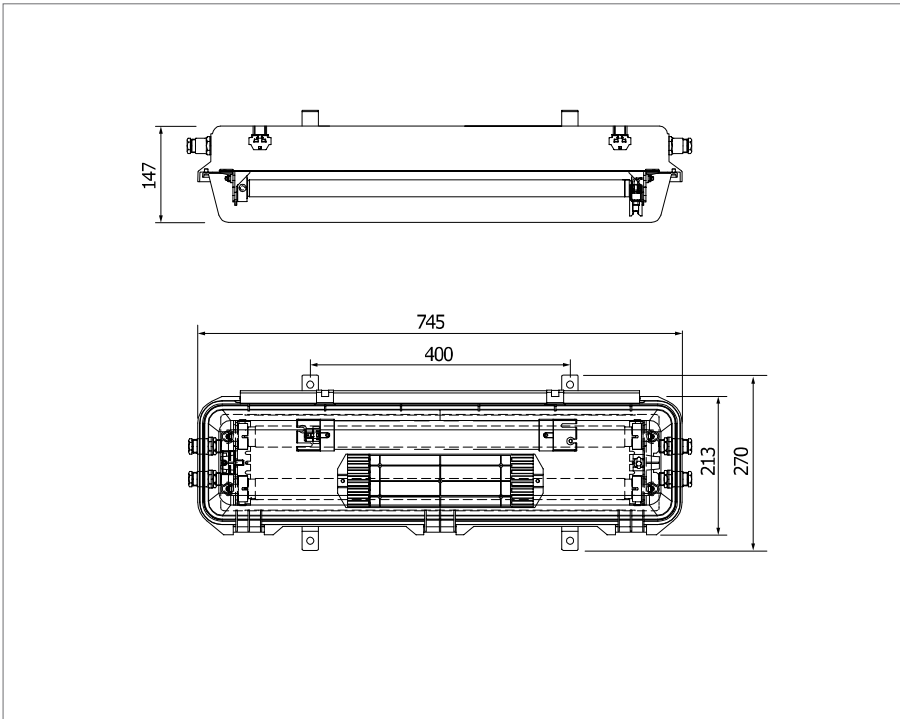
**Specification**

Model No.	Capacity	L(mm)	W(mm)	H(mm)	Weight(kg)	Remarks
<b>FL-220edgBuGNM</b>	18 W X 2	745	213	147	7.0	Mounting bracket
<b>FL-220edgBuGHO</b>	18 W X 2	745	213	147	7.0	Hook bracket
<b>FL-220edgBuGNH</b>	18 W X 2	745	213	147	7.0	M8 Eyebolt
<b>FL-240edgBuGNM</b>	36 W X 2	1350	213	147	10.0	Mounting bracket
<b>FL-240edgBuGHO</b>	36 W X 2	1350	213	147	10.0	Hook bracket
<b>FL-240edgBuGNH</b>	36 W X 2	1350	213	147	10.0	M8 Eyebolt



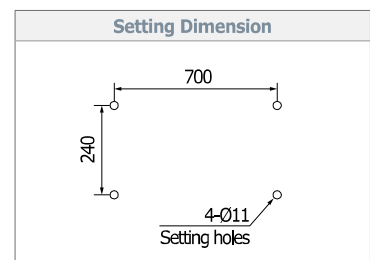
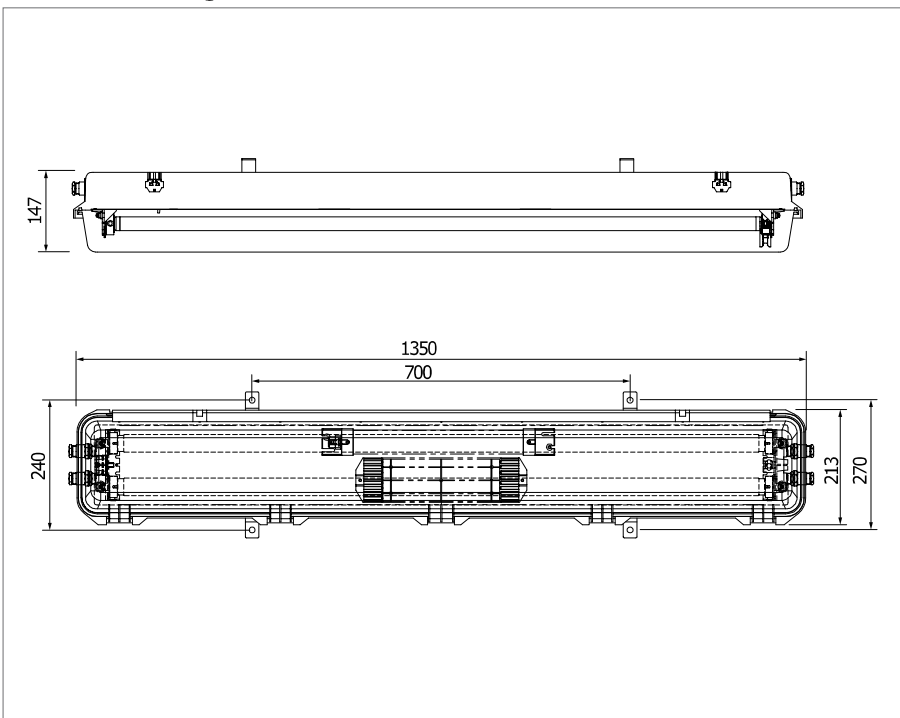
### FL-220edgBuG

#### Technical Drawing



### FL-240edgBuG

#### Technical Drawing



# Explosion Proof Fluorescent Ceiling Light

FL-edg



**Protection degree** IP66 / IP67

- Explosion degree : Ex demb IIC T4 Gb  
(-25 °C ≤ Ta ≤ 50 °C)
- Standard : IEC60079-0 and IEC60079-1  
IEC60079-7 and IEC60079-18

**Materials**

- Body : Stainless steel 316 sheet deep drawn
- Globe : Polycarbonate
- Latch : Stainless steel 316

**Finish**

- Body : White epoxy powder coat and stove enamelled  
(Munsell No. N-9.3)

**Equipment**

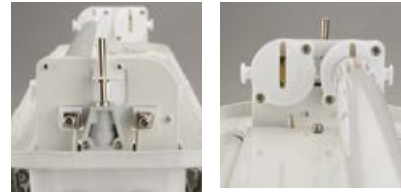
- Fluorescent lamp : 18 W / 36 W (14 W / 28 W)
- Light sources : T26 (T16)
- Lamp base : G13 (G5)
- Two cable glands : M20

**Electrical**

- AC 220~250 V, 50/60 Hz  
(FL-214edg, FL-220edg, FL-228edg, FL-240edg )
- AC 110~127 V, 50/60 Hz  
(FL-220edg, FL-240edg )
- Ballast : Electronic

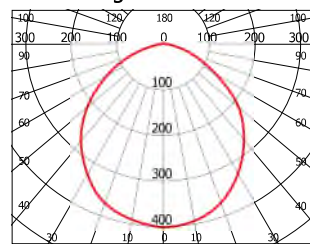
**Option**

- AC 100~277 V, 50/60 Hz
- Anti-vibration packing
- Cable gland : M25, NPT1/2", NPT3/4"

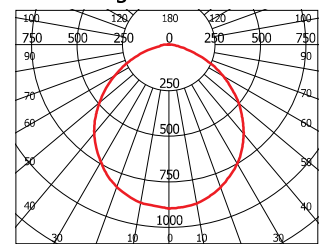


**Light Distribution Curve**

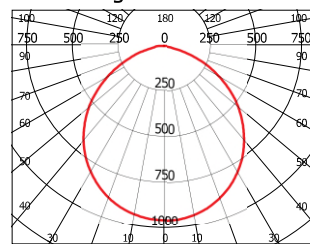
FL-220edg



FL-228edg



FL-240edg



— : 0°

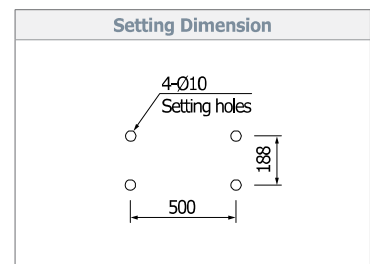
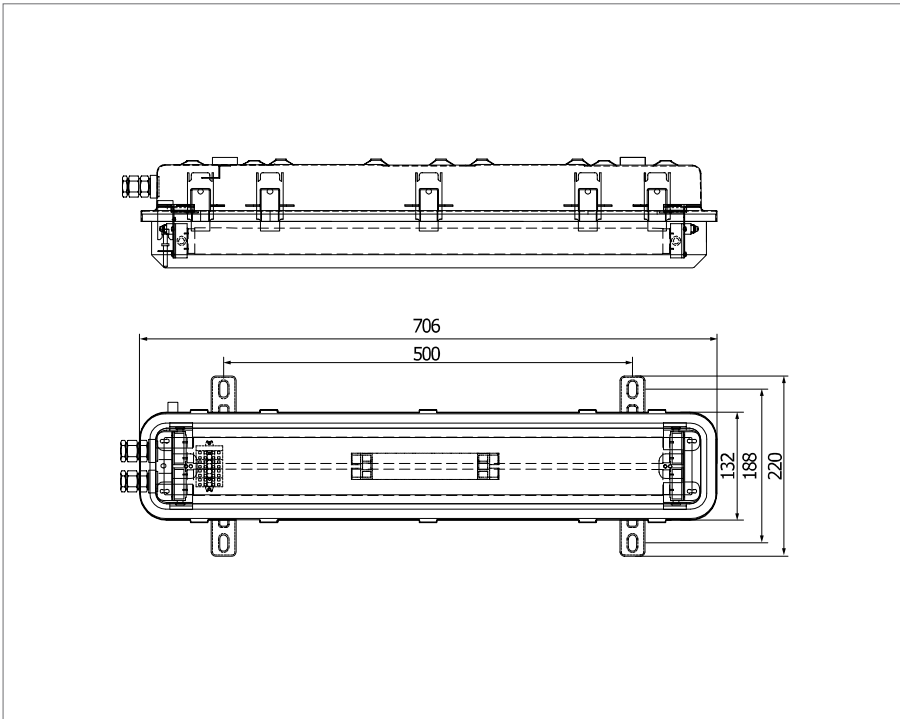
**Specification**

Model No.	Capacity	L(mm)	W(mm)	H(mm)	Weight(kg)	Remarks
<b>FL-214edg</b>	14 W X 2	706	220	135	5.2	-
<b>FL-220edg</b>	18 W X 2	706	220	135	5.2	-
<b>FL-228edg</b>	28 W X 2	1312	220	135	8.23	-
<b>FL-240edg</b>	36 W X 2	1312	220	135	8.23	-



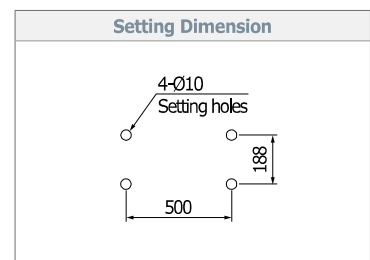
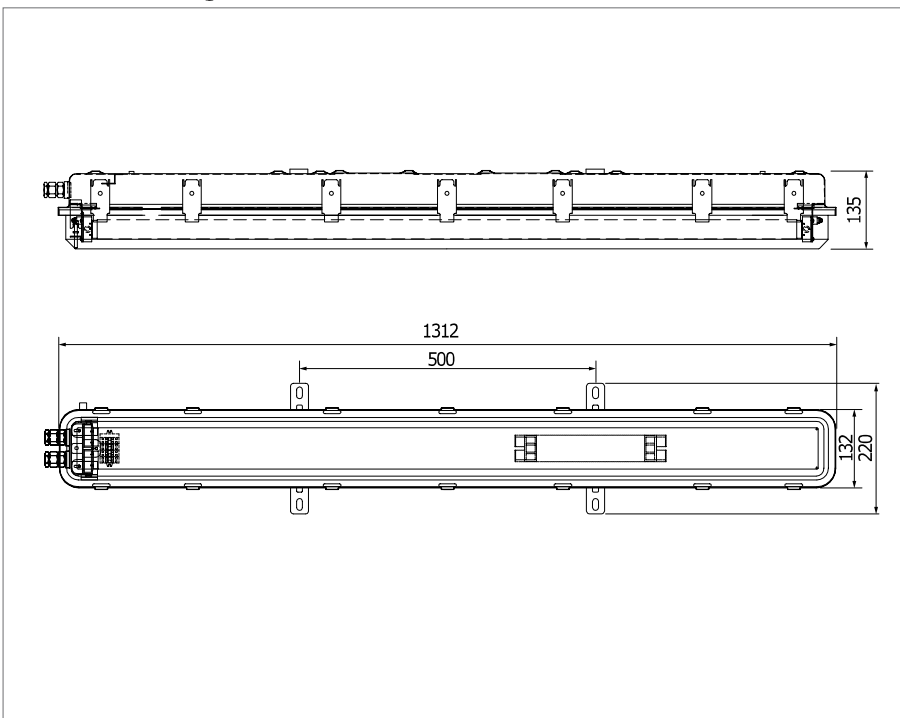
**FL-220edg**

**Technical Drawing**



**FL-240edg**

**Technical Drawing**



# Explosion Proof Fluorescent Ceiling Light (Battery back-up)

FL-edgBu



## Protection degree IP66 / IP67

- Explosion degree : Ex db eb mb IIC T4 Gb  
(-25 °C ≤ Ta ≤ 55 °C)
- Standard : IEC60079-0 and IEC60079-1  
IEC60079-7 and IEC60079-18

## Materials

- Body : Stainless steel 316 sheet deep drawn
- Globe : Polycarbonate
- Latch : Stainless steel 316

## Finish

- Body : White epoxy powder coat and stove enamelled  
(Munsell No. N-9.3)

## Equipment

- Fluorescent lamp : 18 W / 36 W
- Light sources : T26
- Lamp base : G13
- Two cable glands : M20
- Battery : Ni-cd, 6 V, 4500mAH
- Battery discharging time : 3hr (18 W), 1.5hr (36 W)

## Electrical

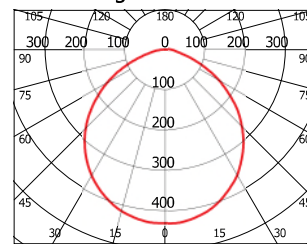
- AC 100 ~ 254 V, 50/60 Hz
- Ballast : Electronic

## Option

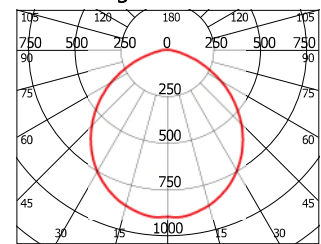
- Cable gland : M25, NPT1/2", NPT3/4"
- Anti-vibration packing
- Battery : Ni-cd, 9.6 V, 4500mAH  
Battery discharging time : 3hr (36 W)

## Light Distribution Curve

FL-220edgBu



FL-240edgBu



— : 0°

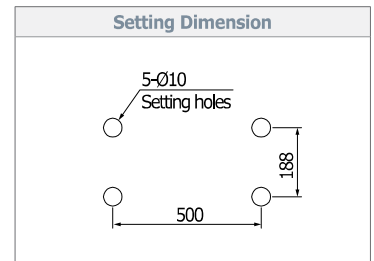
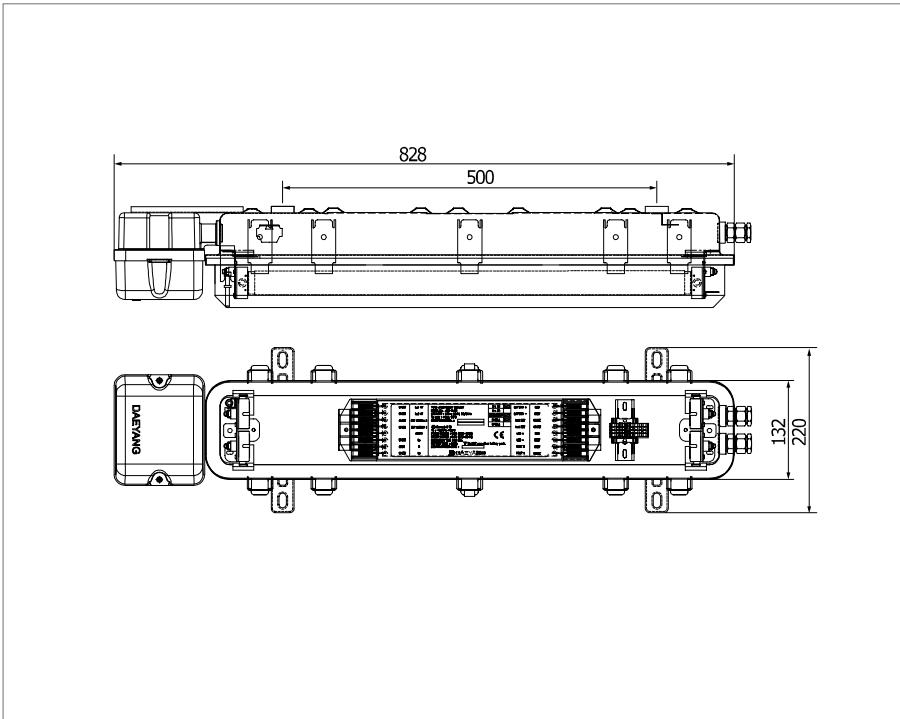
## Specification

Model No.	Capacity	L(mm)	W(mm)	H(mm)	Weight(kg)	Remarks
FL-220edgBu	18 W x 2	828	220	135	7.4	-
FL-240edgBu	36 W x 2	1435	220	135	11.6	-



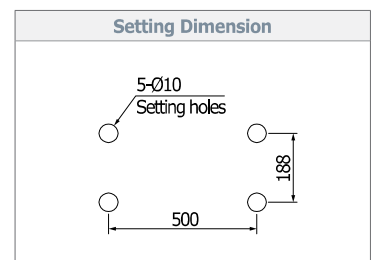
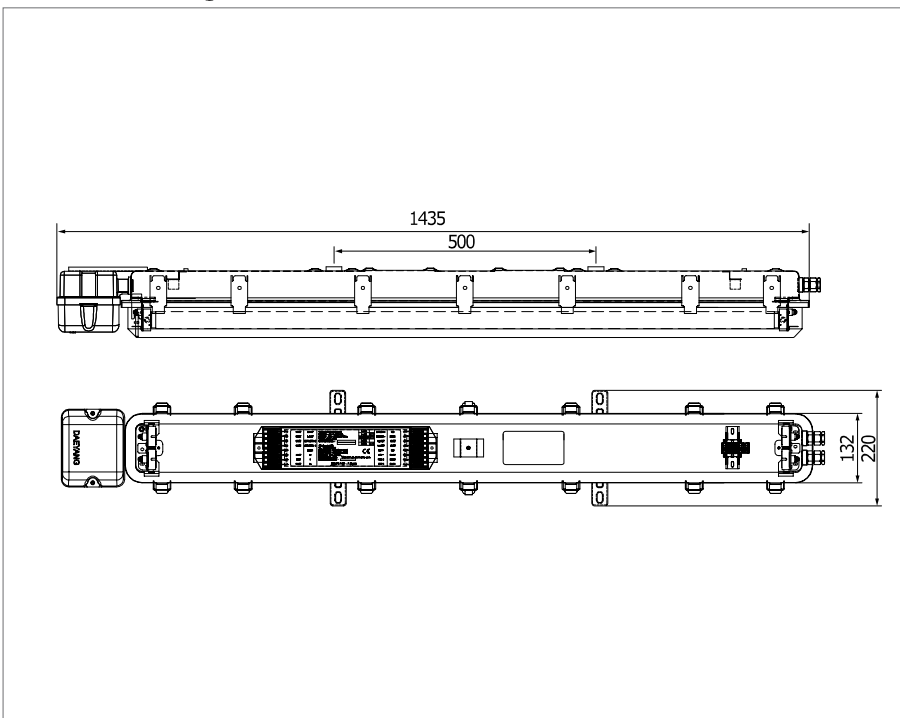
**FL-220edgBu**

**Technical Drawing**



**FL-240edgBu**

**Technical Drawing**



# Explosion Proof Fluorescent Recessed Ceiling Light (Battery back-up)

FL-WFedgBu



## Protection degree

- IP54 / IP56, IP65 / IP66
- Explosion degree : Ex d e mb IIC T4 Gb  
( $-25\text{ °C} \leq T_a \leq 50\text{ °C}$ )
- Standard : IEC60079-0 and IEC60079-1  
IEC60079-7 and IEC60079-18

## Materials

- Body : Electro zinc coated steel sheet
- Globe : Clear polycarbonate

## Finish

- Body : White epoxy powder coat and stove enamelled  
(Munsell No. N-9.3)

## Equipment

- Fluorescent lamp : 18 W / 36 W
- Light sources : T26
- Lamp base : G13
- Cable gland : M20
- Battery : Ni-cd, 6 V, 4500mAH
- Battery discharging time : 3hr (18 W), 1.5hr (36 W)

## Mounting

- Adjustable suspension bracket standard. Rail brackets for panel ceiling (Dampa) to be ordered separately.

## Electrical

- AC 100~254 V, 50/60 Hz
- Ballast : Electronic

## Option

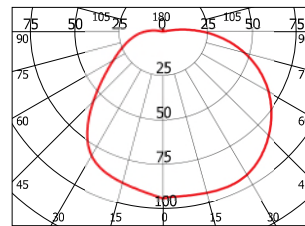
- Cable gland : M25, NPT1/2", NPT3/4"
- Battery : Ni-cd, 9.6 V, 4500mAH  
Battery discharging time : 3hr (36 W)
- Fire class : B-15



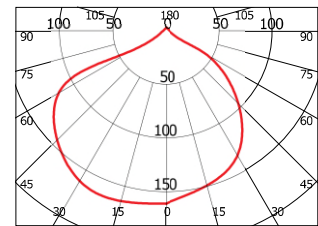
Adjustable suspension bracket

## Light Distribution Curve

FL220WFedgBu



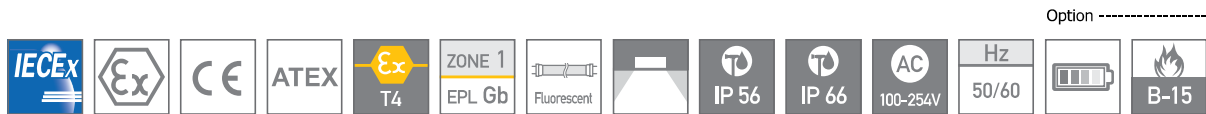
FL240WFedgBu



— : 0°

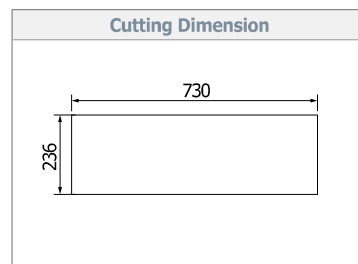
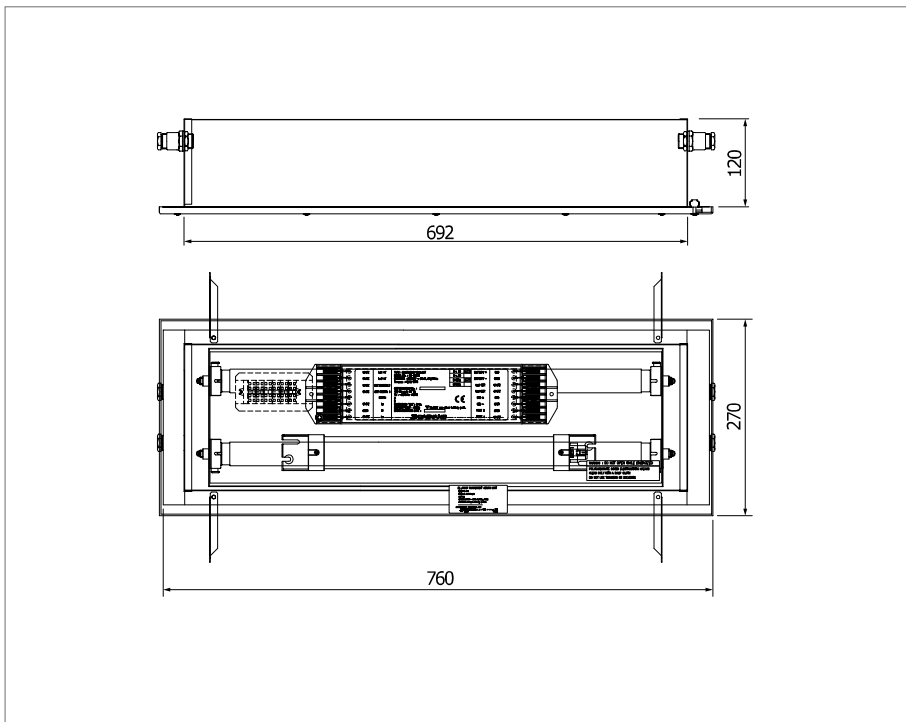
## Specification

Model No.	Capacity	L(mm)	W(mm)	H(mm)	Weight(kg)	Remarks
FL-220WFedgBu	18 W x 2	760	270	130	9.5	
FL-240WFedgBu	36 W x 2	1370	270	130	14.5	



**FL-220WFedgBu**

**Technical Drawing**



# Explosion Proof Fluorescent Recessed Ceiling Light (Louver)

FL-WFedgL



## Protection degree

- IP54 / IP56, IP65 / IP66
- Explosion degree : Ex demb IIC T4 Gb  
( $-25\text{ °C} \leq T_a \leq 50\text{ °C}$ )
- Standard : IEC60079-0 and IEC60079-1  
IEC60079-7 and IEC60079-18

## Materials

- Body : Electro zinc coated steel sheet
- Globe : Clear polycarbonate
- Louver : Aluminium

## Finish

- Body : White epoxy powder coat and stove enamelled (Munsell No. N-9.3)

## Equipment

- Fluorescent lamp : 18 W / 36 W
- Light sources : T26
- Lamp base : G13
- Cable gland : M20

## Mounting

- Adjustable suspension bracket standard. Rail brackets for panel ceiling (Dampa) to be ordered separately.

## Electrical

- AC 220~250 V, 50/60 Hz
- Ballast : Electronic

## Option

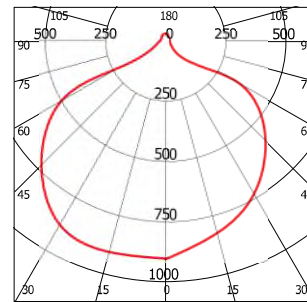
- AC 110~127 V
- Cable gland : M25, NPT1/2", NPT3/4"
- Fire class : B-15



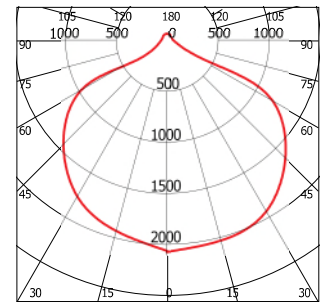
Adjustable suspension bracket

## Light Distribution Curve

FL420WFedgL



FL440WFedgL



— : 0°

## Specification

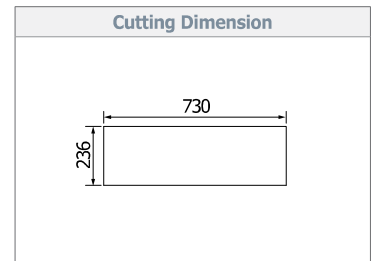
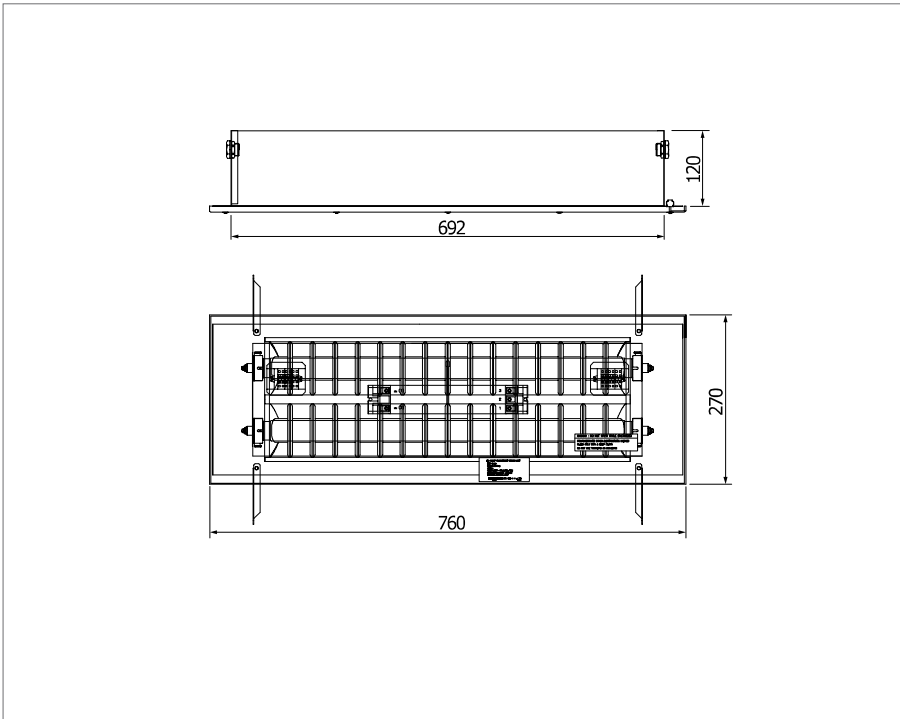
Model No.	Capacity	L(mm)	W(mm)	H(mm)	Weight(kg)	Remarks
FL-240WFedgL	18 W X 2	760	270	120	8	
FL-420WFedgL	36 W X 2	1370	270	120	13	

Option ----



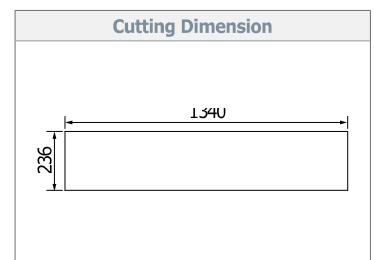
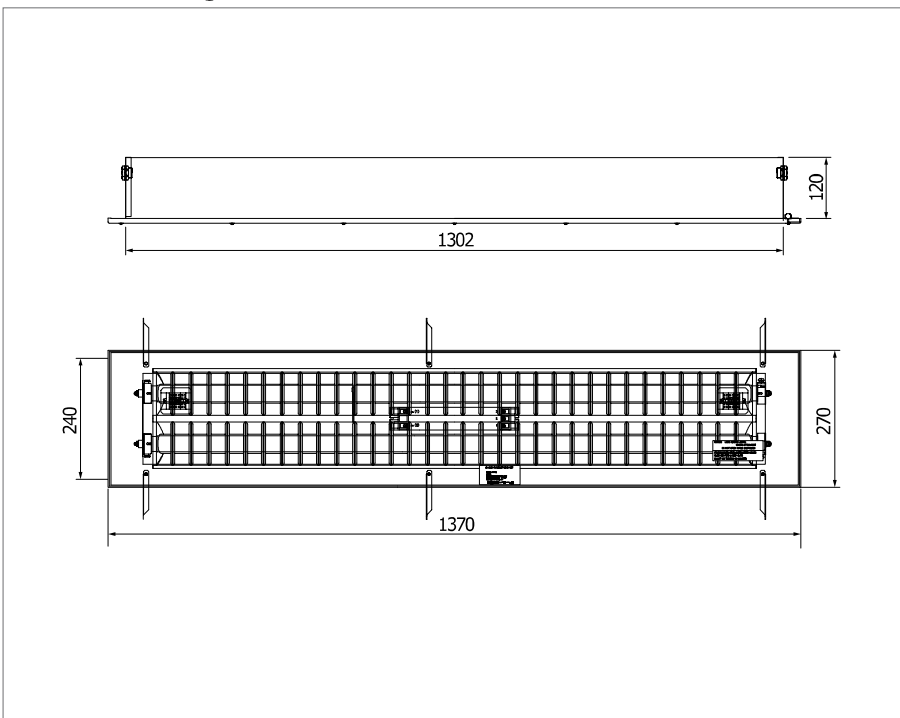
**FL-220WFedgL**

**Technical Drawing**



**FL-240WFedgL**

**Technical Drawing**



# Explosion Proof Fluorescent Recessed Ceiling Light (Battery back-up)

FL-WWFedgLBu

## Protection degree IP54 / IP56, IP65 / IP66

- Explosion degree : Ex d e mb IIC T4 Gb  
(-25 °C ≤ Ta ≤ 50 °C)
- Standard : IEC60079-0 and IEC60079-1  
IEC60079-7 and IEC60079-18

## Materials

- Body : Electro zinc coated steel sheet
- Globe : Clear polycarbonate
- Louver : Aluminium

## Finish

- Body : White epoxy powder coat and stove enamelled  
(Munsell No. N-9.3)

## Equipment

- Fluorescent lamp : 18 W / 36 W
- Light sources : T26
- Lamp base : G13
- Cable gland : M20

- Battery : 6 V Ni-cd, 9.6 V Ni-cd
- Emergency duration : 1.5hours or 3hours

## Mounting

- Adjustable suspension bracket standard. Rail brackets for panel ceiling (Dampa) to be ordered separately.

## Electrical

- AC 100~254 V, 50/60 Hz
- Ballast : Electronic

## Option

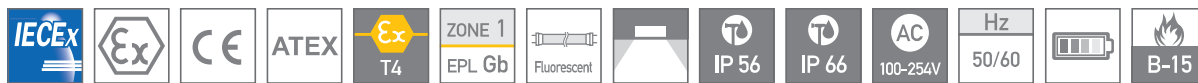
- Fire class : B-15
- Cable gland : M25, NPT1/2", NPT3/4"



Adjustable suspension bracket

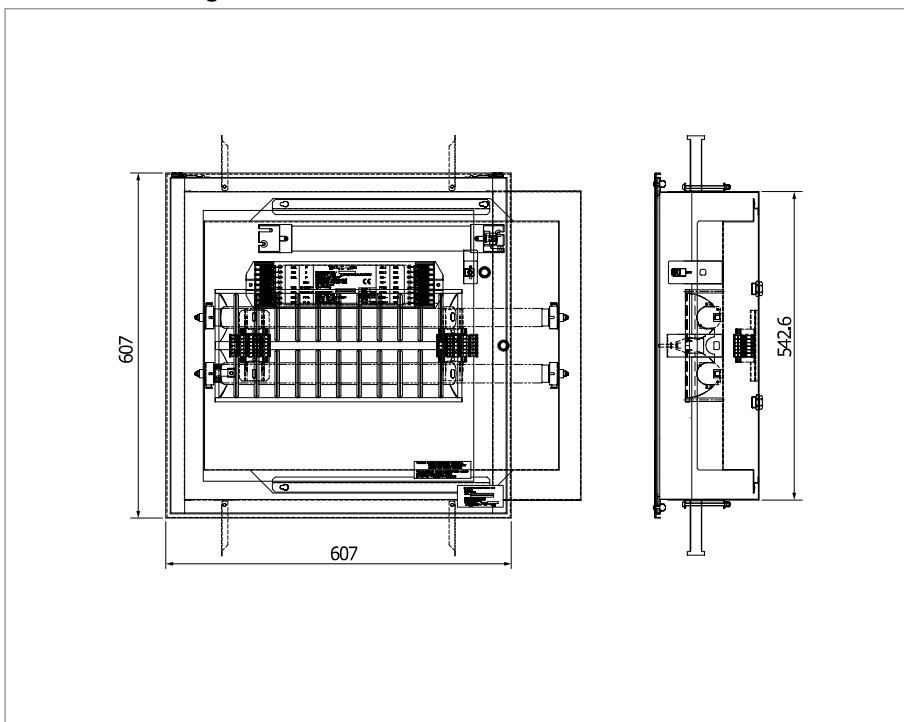
## Specification

Model No.	Capacity	L(mm)	W(mm)	H(mm)	Weight(kg)	Remarks
<b>FL-220WWFedgLBu</b>	18 W x 2	607	607	542.6	16.8	With louver
<b>FL-420WWFedgBu</b>	18 W x 4	607	607	542.6	19	Without louver
<b>FL-240WWFedgLBu</b>	36 W x 2	1217	607	542.6	26.7	With louver
<b>FL-440WWFedgBu</b>	36 W x 4	1217	607	542.6	29	Without louver



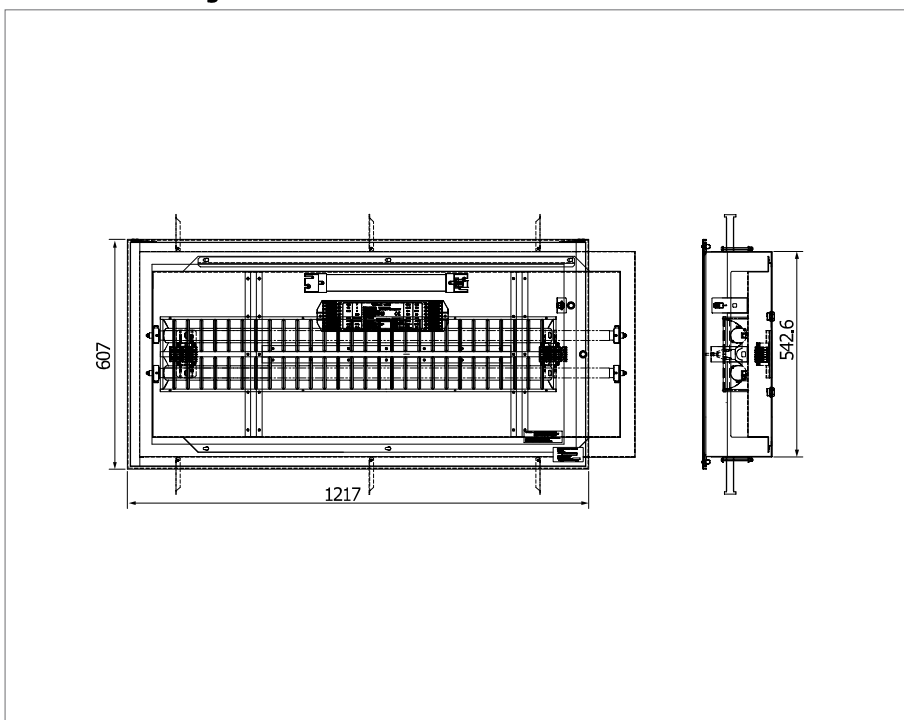
### FL-220WWFedgBu

#### Technical Drawing



### FL-240WWFedgBu

#### Technical Drawing



# Explosion Proof Fluorescent Ceiling Light

EXF-614



## Protection degree IP66 / IP67

- Explosion degree : Ex d IIC T6 Gb  
( $-25\text{ }^{\circ}\text{C} \leq T_a \leq 50\text{ }^{\circ}\text{C}$ )
- Standard : IEC 60079-0 / IEC 60079-1

## Materials

- Body : Cast brass
- Globe : Heat and impact resistant glass
- Guard : Stainless steel

## Finish

- Body : Clear epoxy powder coat and stove enamelled
- Guard : Clear epoxy powder coat and stove enamelled

## Equipment

- Compact fluorescent lamp : 15 W / 23 W
- Lamp holder : TE26/27
- Two cable glands : M20

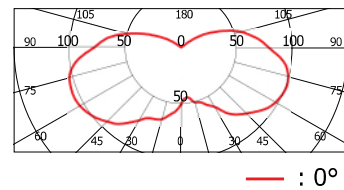
## Electrical

- AC 220~240 V, 50~60 Hz

## Option

- AC 110 V
- Cable gland : M25, NPT1/2", NPT3/4"
- Anti-vibration packing
- Emergency DC Lamp
- Red guard

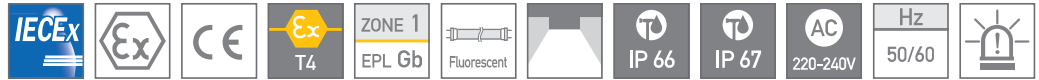
## Light Distribution Curve



## Specification

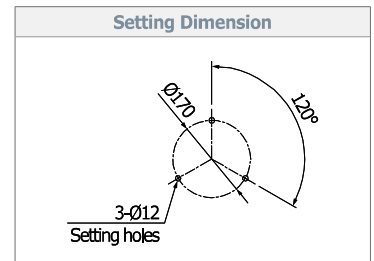
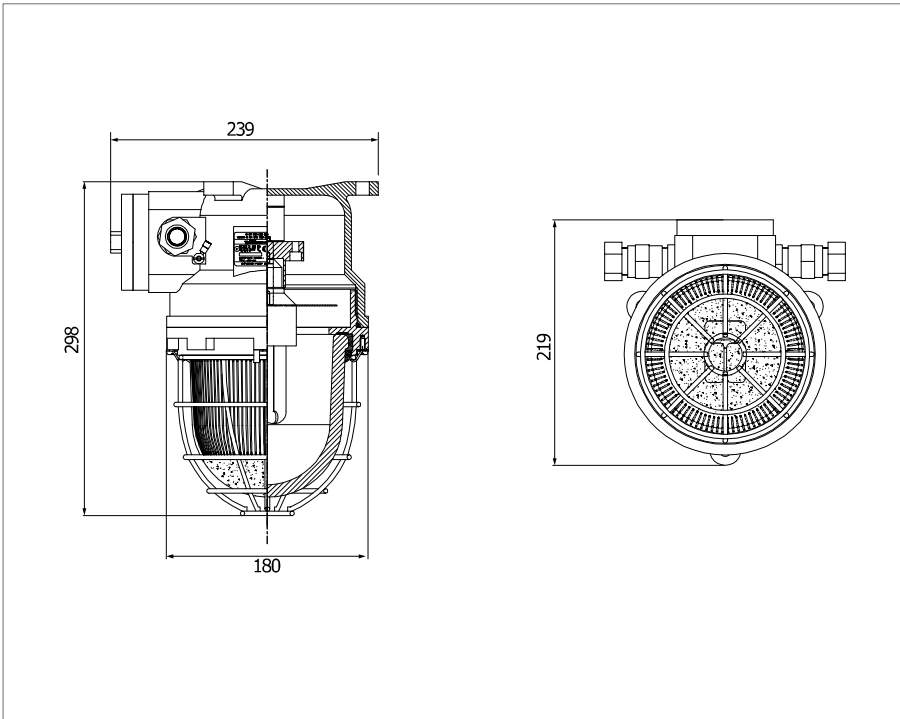
Model No.	Capacity	L(mm)	W(mm)	H(mm)	Weight(kg)	Remarks
EXF-614	23 W	239	219	298	12.2	

Option ----



**EXF-614**

**Technical Drawing**



# Explosion Proof High Pressure Sodium Light

HPS-1A



## Protection degree IP66

- Explosion protection :  
Ex d IIC T4 Gb / Ex td IIIC T125°C Db
- Ambient Temperature : -40 °C ~ 55 °C
- Standard : IEC 60079-0 / IEC 60079-1 / IEC 60079-31

## Materials

- Body : Aluminium die casting
- Globe : Hard and impact resistant glass
- Guard : Aluminium die casting

## Finish

- Body : Epoxy powder coat and stove enamelled

## Equipment

- H.P Sodium Lamp : 50 W / 70 W / 100 W / 150 W
- Lamp base : E39 / E40
- Cable entry : M20, M25
- Built-in Ballast (Sodium)

## Electrical

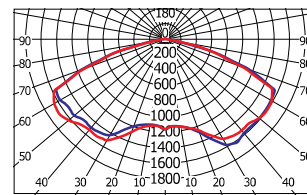
- AC 100 ~ 240 V, 50/60 Hz

## Option

- Cable gland : NPT1/2", NPT3/4", NPT1", PF1/2", PF3/4", PF1"
- Ceiling Mount / Pendant Mount / Wall Bracket Mount / Stanchion Mount

## Light Distribution Curve

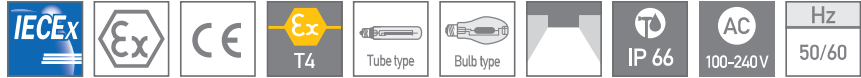
HPS-150W



— : 0-180°  
— : 90-270°

## Specification

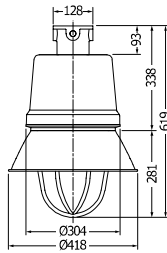
Model No.	Capacity	L(mm)	W(mm)	H(mm)	Weight(kg)	Remarks
HPS-1A-150-C	150 W	304	304	588	-	Ceiling
HPS-1A-150-P	150 W	304	304	890	-	Pendant
HPS-1A-150-W	150 W	304	304	769	-	Wall Bracket
HPS-1A-150-S	150 W	304	304	600	-	Stanchion



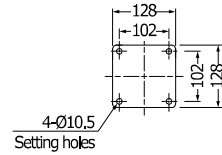
**HPS-1A-150**

**Technical Drawing**

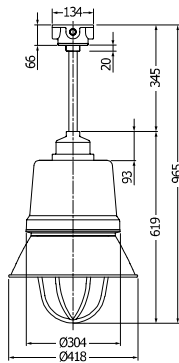
**Ceiling Type**



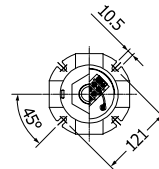
**Setting Dimension**



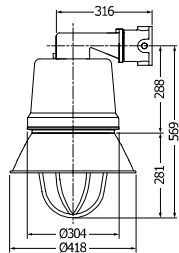
**Pendant Type**



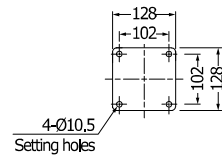
**Setting Dimension**



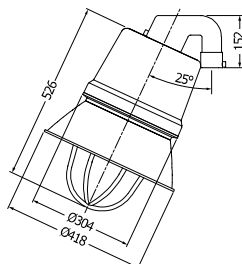
**Wall Bracket Type**



**Setting Dimension**



**Stanchion Type**



# Explosion Proof High Pressure Sodium Light

HPS-1B



## Protection degree IP66

- Explosion protection :  
Ex d IIC T4 or T3 Gb / Ex tb IIIC T139°C Db (250W)  
Ex db IIC T3 Gb / Ex tb IIIC T178°C Db (400W)
- Ambient Temperature :  
-40 °C ~ 45 °C (T4)  
-40 °C ~ 55 °C (T3) (250W/400W)
- Standard : IEC 60079-0 / IEC 60079-1 / IEC 60079-31

## Materials

- Body : Aluminium die casting
- Globe : Hard and impact resistant glass
- Guard : Aluminium die casting

## Finish

- Body : Epoxy powder coat and stove enamelled

## Equipment

- H.P Sodium Lamp : 250 W / 400 W
- Lamp base : E39 / E40
- Cable entry : M20, M25
- Built-in Ballast (Sodium)

## Electrical

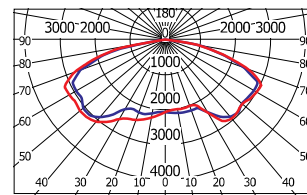
- AC 100 ~ 240 V, 50/60 Hz

## Option

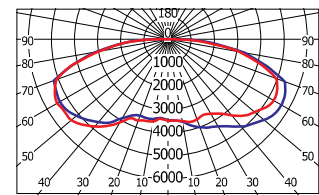
- Cable gland : NPT1/2", NPT3/4", NPT1", PF1/2", PF3/4", PF1"
- Ceiling Mount / Pendant Mount / Wall Bracket Mount / Stanchion Mount

## Light Distribution Curve

HPS-250W



HPS-400W

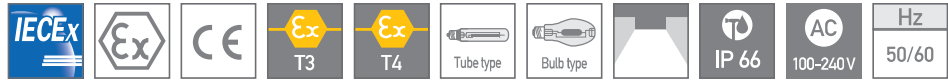


— : 0-180°  
— : 90-270°

— : 0-180°  
— : 90-270°

## Specification

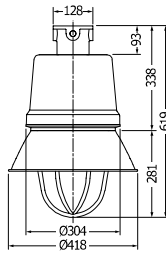
Model No.	Capacity	L(mm)	W(mm)	H(mm)	Weight(kg)	Remarks
HPS-1B-250-C	250 W	304	304	663	-	Ceiling
HPS-1B-400-C	400 W	304	304	663	-	Ceiling
HPS-1B-250-P	250 W	304	304	965	-	Pendant
HPS-1B-400-P	400 W	304	304	965	-	Pendant
HPS-1B-250-W	250 W	304	304	844	-	Wall Bracket
HPS-1B-400-W	400 W	304	304	844	-	Wall Bracket
HPS-1B-250-S	250 W	304	304	675	-	Stanchion
HPS-1B-400-S	400 W	304	304	675	-	Stanchion



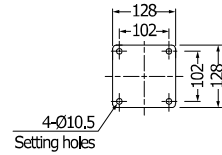
## HPS-1B-250/400

### Technical Drawing

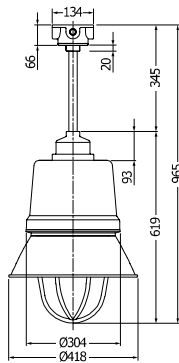
#### Ceiling Type



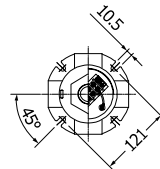
#### Setting Dimension



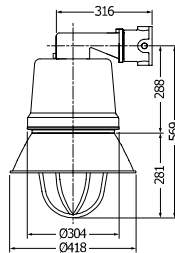
#### Pendant Type



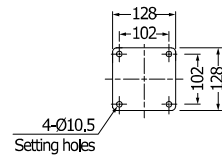
#### Setting Dimension



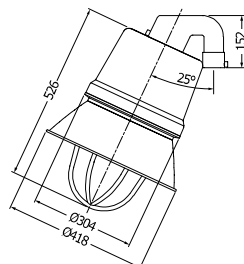
#### Wall Bracket Type



#### Setting Dimension



#### Stanchion Type



# Explosion Proof Flood Light

PF-SBX2 / PF-MHBX2 / PF-HBX2



## Protection degree IP66 / IP67

- Explosion protection :  
Ex de IIC T3 Gb (400 W) / Ex de IIC T4 Gb (250W, Sodium)  
-25 °C ≤ Ta ≤ 45 °C / -25 °C ≤ Ta ≤ 50 °C (Halogen)
- Standard : IEC 60079-0 / IEC 60079-1 / IEC 60079-7

## Materials

- Body : Aluminium die casting (LM6)
- Globe : Hard and impact resistant glass

## Finish

- Body : Yellow epoxy powder coat and stove enamelled

## Equipment

- H.P Sodium Lamp : 250 W / 400 W
- Metal Halide Lamp : 250 W / 400 W
- Halogen Lamp : 500 W
- Lamp base : E39 / E40
- Two cable glands : M20
- Built-in Ballast (Metal Halide , Sodium)

## Electrical

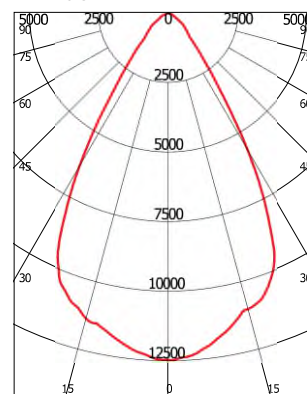
- AC 220 V, 50/60 Hz
- AC 230 V, 50/60 Hz (Halogen)

## Option

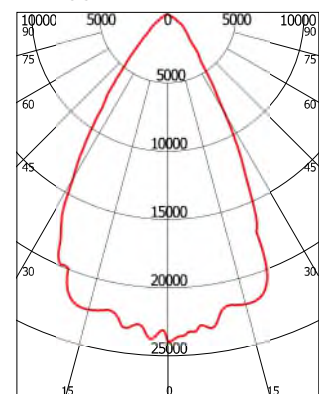
- Cable gland : M25, NPT1/2", NPT3/4"
- Anti-vibration packing
- AC 230 V, 50/60 Hz  
(PF-25SBX2 / PF-40SBX2, PF-25MHBX2 / PF-40MHBX2)
- AC 120 V / 127 V, 60 Hz (PF-40MHBX2)
- AC 120 V / 125 V / 130 V, 50/60 Hz (PF-50HBX2)

## Light Distribution Curve

PF-25SBX



PF-40SBX



— : 0°

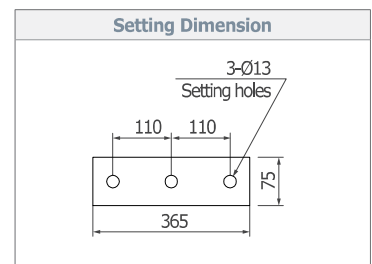
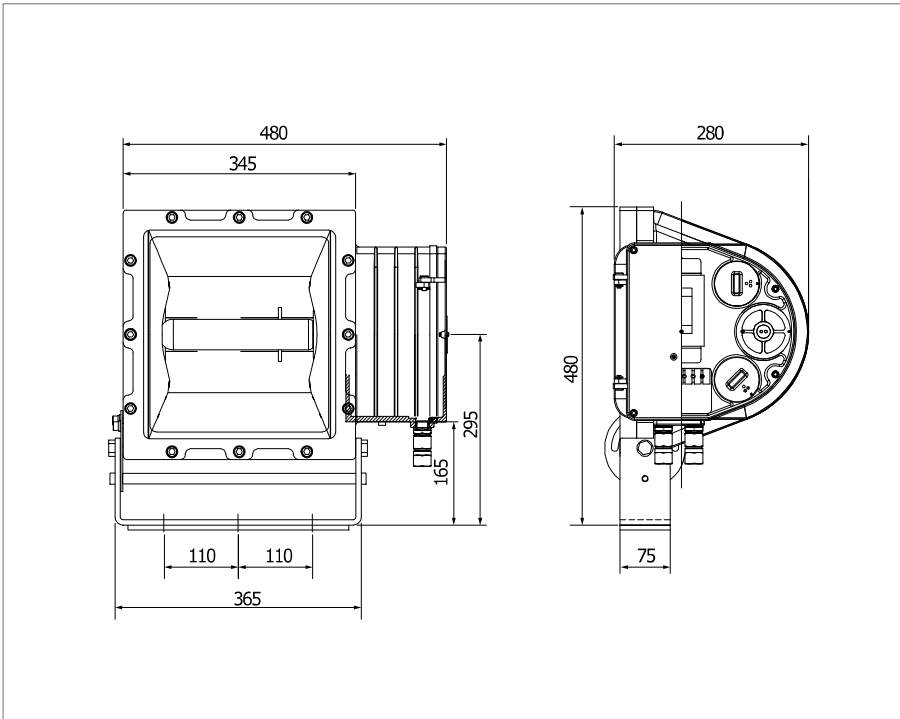
## Specification

Model No.	Capacity	L(mm)	W(mm)	H(mm)	Weight(kg)	Remarks
PF-25SBX2	250 W	480	288	480	26	H.P Sodium
PF-40SBX2	400 W	480	288	480	26	H.P Sodium
PF-25MHBX2	250 W	480	288	480	26	Metal Halide
PF-40MHBX2	400 W	480	288	480	26	Metal Halide
PF-50HBX2	500 W	480	288	480	21	Halogen



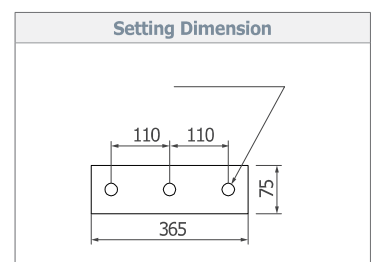
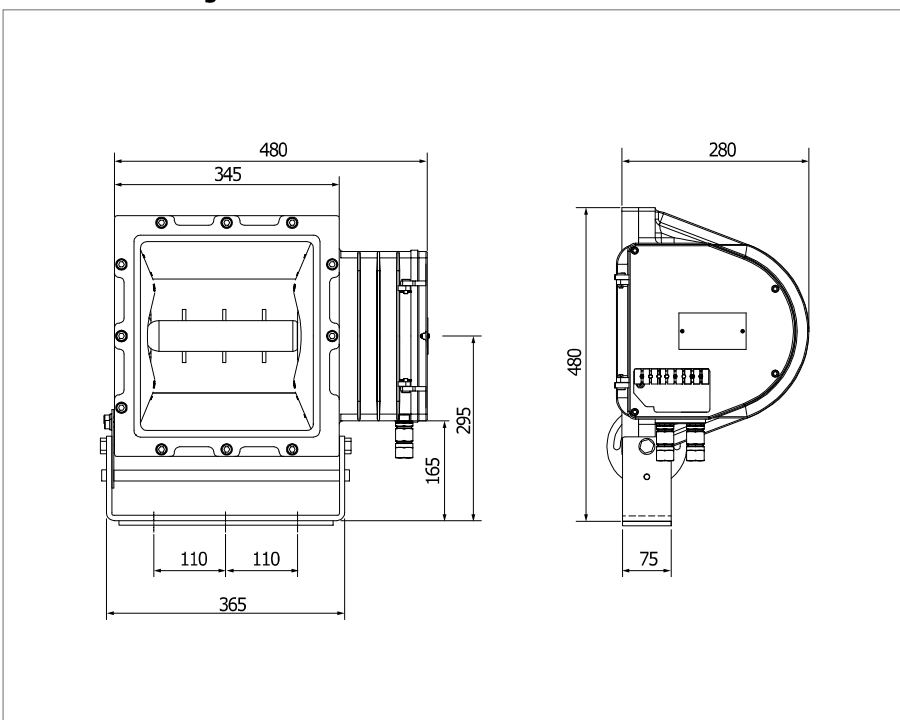
**PF-SBX2 / PF-MHBX2**

**Technical Drawing**



**PF-HBX2**

**Technical Drawing**



# Explosion Proof Flood Light (Zone 2)

PF-SBnRT3B / PF-MHBnRT3B

**Protection degree** IP66

- Explosion degree : Ex nA nR IIC T3 Gc  
(-25 °C ≤ Ta ≤ 50 °C)
- Standard : IEC 60079-0 / IEC 60079-15

**Materials**

- Body : Stainless steel 316 sheet deep drawn
- Front glass : Hard and impact resistant glass
- Reflector : High intensity Aluminium

**Finish**

- Body : White epoxy powder coat and stove enamelled (Munsell No. N-9.3)

**Equipment**

- Lamp : Metal Halide (250 W, 400 W), High Pressure Sodium (250 W, 400 W)
- Lamp base : E39 / E40
- Two cable glands : M20
- Built-in Ballast
- Vertical adjust (Up : 40°, Down : 45°)

**Electrical**

- AC 220~240 V, 60 Hz

**Option**

- 50 Hz
- Cable gland : M25, NPT1/2", NPT3/4"
- Anti-vibration packing
- Yoke mounting

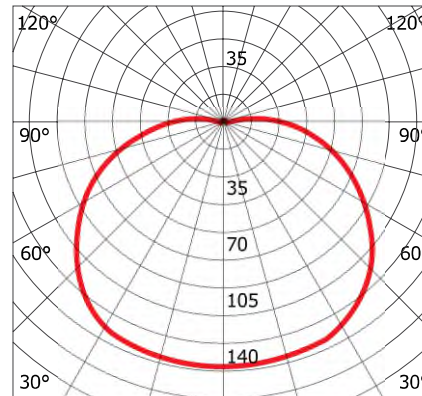


PF-SBnRT3BY  
(Yoke mounting)



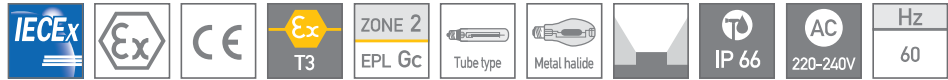
PF-SBnRT3B

**Light Distribution Curve**



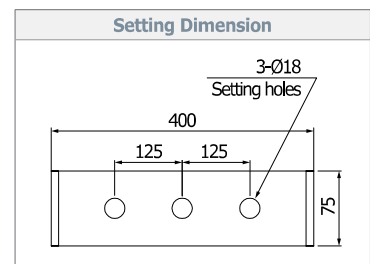
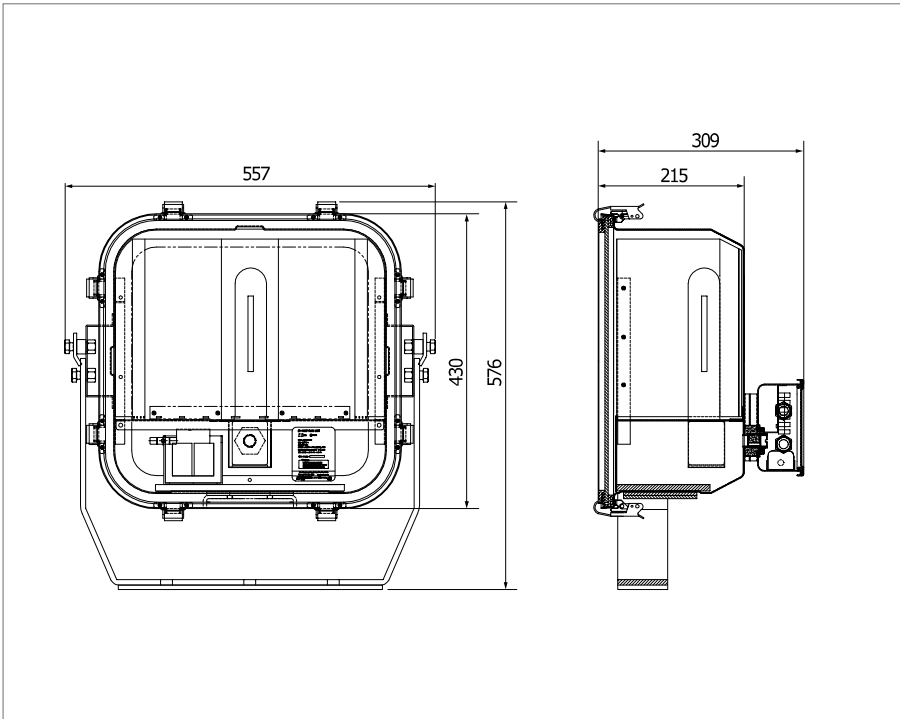
**Specification**

Model No.	Capacity	L(mm)	W(mm)	H(mm)	Weight(kg)	Remarks
<b>PF25SBnRT3B</b>	250 W X 1	491	309	551	20	Sodium
<b>PF40SBnRT3B</b>	400 W X 1	491	309	551	20	Sodium
<b>PF25MHBnRT3B</b>	250 W X 1	557	310	576	20	Metal Halide
<b>PF40MHBnRT3B</b>	400 W X 1	557	310	576	20	Metal Halide



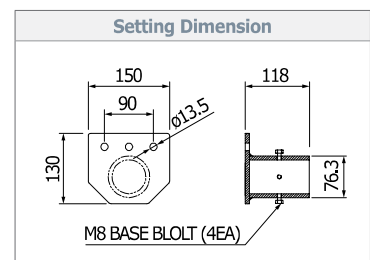
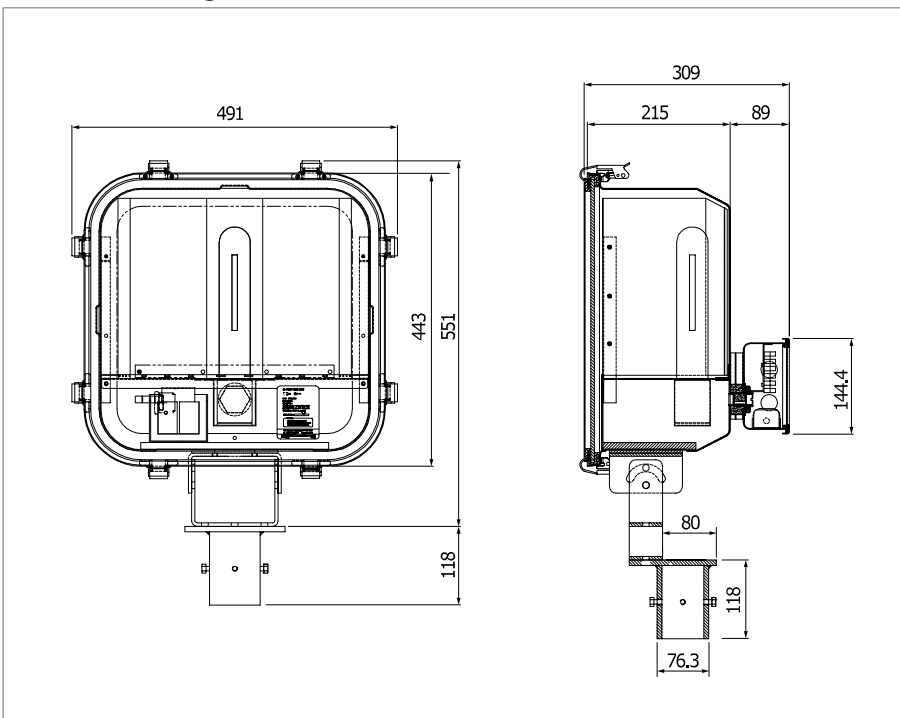
**PF-SBnRT3B / PF-MHBnRT3B**

**Technical Drawing**



**PF-SBnRT3BY / PF-MHBnRT3BY**

**Technical Drawing**



## Extreme Low Temperature Sodium Flood Light (Zone 2)

PF42SnRT2BI



### Protection degree IP66

- Explosion degree : Ex nA nR IIC T2 Gc  
( $-52\text{ °C} \leq T_a \leq 50\text{ °C}$ )
- Standard : IEC 60079-0 / IEC 60079-15

### Materials

- Body : Stainless steel 316 sheet deep drawn
- Front glass : Hard and impact resistant glass
- Reflector : High intensity Aluminium

### Finish

- Body : White epoxy powder coat and stove enamelled (Munsell No. N-9.3)

### Equipment

- Lamp : Sodium (400W x 2)
- Lamp base : E39 / E40
- Two cable glands : M20
- Built-in Ballast
- Vertical adjust (Up : 40°, Down : 45°)
- Heater capacity : Max. 50 W
- Starting heater capacity : Max. 150 W (2min)

### Electrical

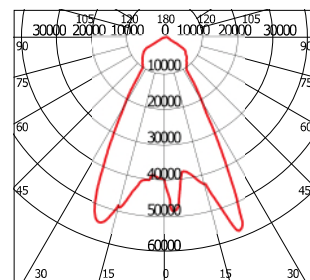
- AC 220~240 V, 50/60 Hz

### Option

- Cable gland : M25, NPT1/2", NPT3/4"
- Anti-vibration packing
- Winterization certification  
: RMRS (Russian Maritime Register of Shipping)  
 $-52\text{ °C} \leq T_a \leq 55\text{ °C}$

### Light Distribution Curve

PF-42SnRT2BI



— : 0°

### Specification

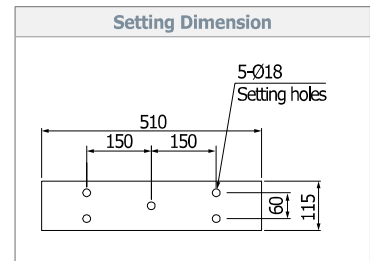
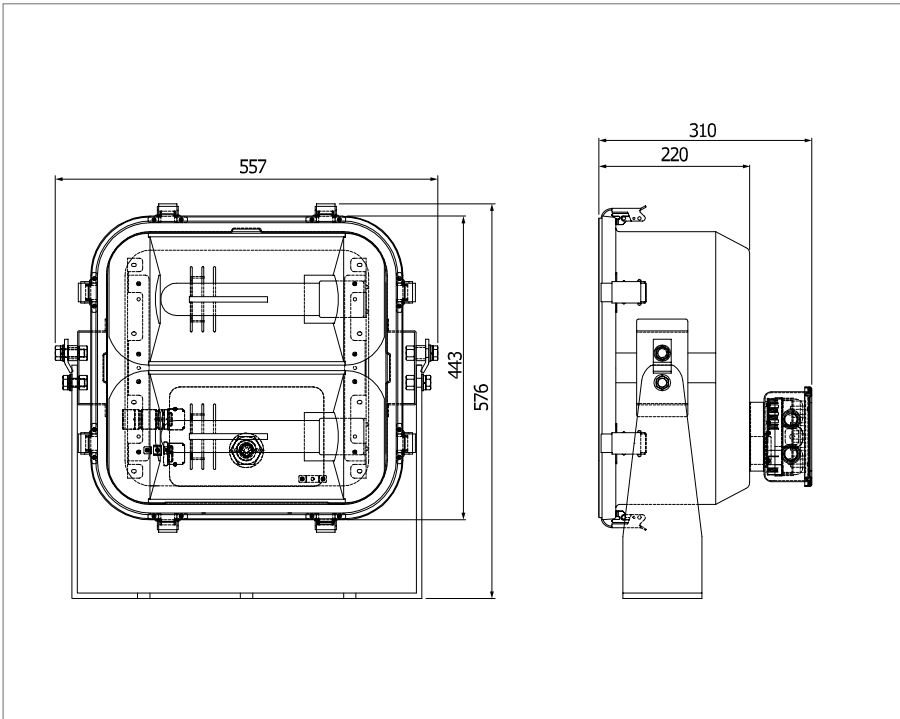
Model No.	Capacity	L(mm)	W(mm)	H(mm)	Weight(kg)	Remarks
PF42SnRT2BI	400W x 2	557	310	576	24	RMRS, $-52\text{ °C} \leq T_a \leq 50\text{ °C}$
PF42SnRT2B	400W x 2	557	310	576	24	$-25\text{ °C} \leq T_a \leq 50\text{ °C}$

Option ----



PF42SnRT2BI

Technical Drawing



# Extreme Low Temperature Halogen Flood Light (Zone 2)

PF50HnRT2BI-A



## Protection degree IP66

- Explosion degree : Ex nA nR IIC T2 Gc  
( $-52\text{ °C} \leq T_a \leq 50\text{ °C}$  )
- Standard : IEC 60079-0 / IEC 60079-15

## Materials

- Body : Stainless steel 316 sheet deep drawn
- Front glass : Hard and impact resistant glass
- Reflector : High intensity Aluminium

## Finish

- Body : White epoxy powder coat and stove enamelled (Munsell No. N-9.3)

## Equipment

- Lamp : Halogen (500 W)
- Lamp base : E39 / E40
- Two cable glands : M20
- Vertical adjust (Up : 40°, Down : 75°)
- Heater capacity : Max. 100 W
- Starting heater capacity : Max. 300 W (2min)

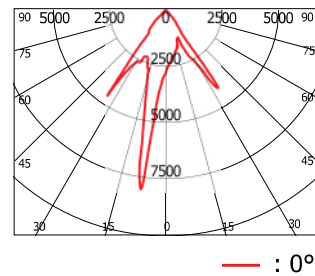
## Electrical

- AC 230 V, 50/60 Hz

## Option

- Cable gland : M25, NPT1/2", NPT3/4"
- Anti-vibration packing
- Winterization certification : RMRS (Russian Maritime Register of Shipping)  
 $-52\text{ °C} \leq T_a \leq 55\text{ °C}$

## Light Distribution Curve



## Specification

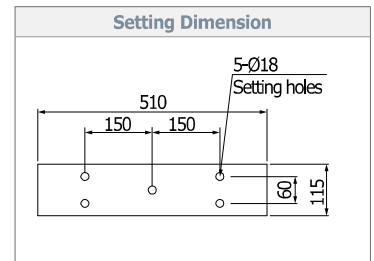
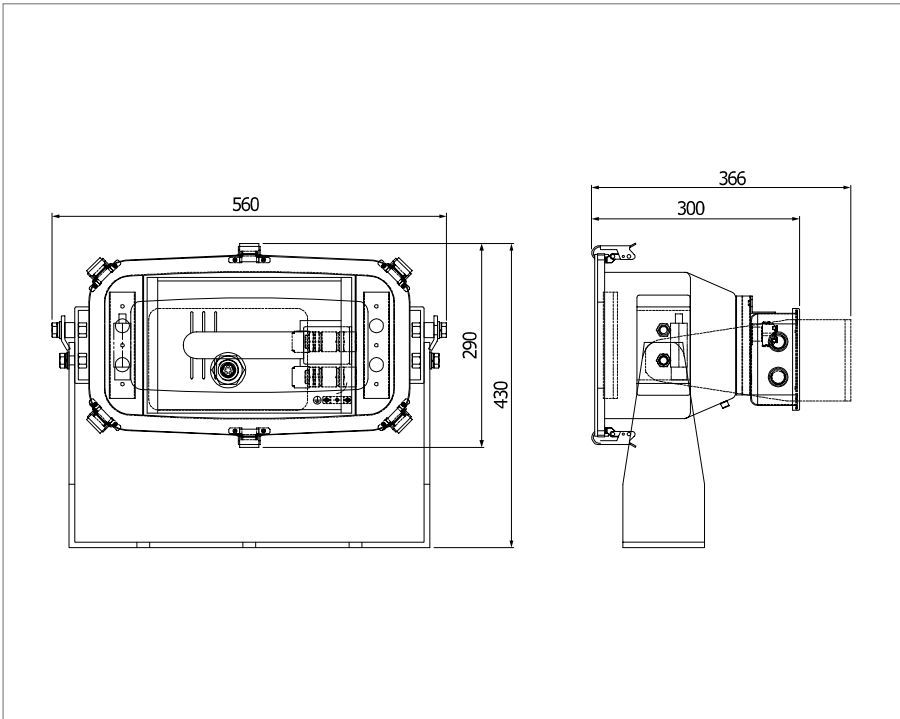
Model No.	Capacity	L(mm)	W(mm)	H(mm)	Weight(kg)	Remarks
PF50HnRT2BI-A	500 W x 1	560	300	430	18	RMRS, Clear Glass
PF50HnRT2BSI-A	500 W x 1	560	300	430	18	RMRS, Etching Glass

Option ----



**PF50HnRT2BI-A**

**Technical Drawing**



# Extreme Low Temperature Sodium & Metalhalide Flood Light (Zone 2)

PF40SnRT2BI-A / PF40MHnRT2BI-A



### Protection degree IP66

- Explosion protection : Ex nA nR IIC T2 Gc  
(-52 °C ≤ Ta ≤ 50 °C )
- Standard : IEC 60079-0 / IEC 60079-15

### Materials

- Body : Stainless steel 316 sheet deep drawn
- Front glass : Hard and impact resistant glass
- Reflector : High intensity Aluminium

### Finish

- Body : White epoxy powder coat and stove enamelled (Munsell No. N-9.3)

### Equipment

- Lamp : Metal Halide (250 W, 400 W), High Pressure Sodium (250 W, 400 W)
- Lamp holder : E39 / E40
- Two cable glands : M20
- Vertical adjust (Up : 40°, Down : 75°)

- Heater capacity : Max. 50 W
- Starting heater capacity : Max. 150 W (2min)

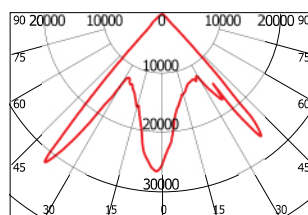
### Electrical

- AC 220~240 V, 50/60 Hz

### Option

- Cable gland : M25, NPT1/2", NPT3/4"
- Anti-vibration packing
- Winterization certification : RMRS (Russian Maritime Register of Shipping)  
-52 °C ≤ Ta ≤ 55 °C

### Light Distribution Curve



— : 0°

### Specification

Model No.	Capacity	L(mm)	W(mm)	H(mm)	Weight(kg)	Remarks
PF25SnRT2BI-A	250 W x 1	560	300	431	18	-52 °C ≤ Ta ≤ 50 °C
PF25MHnRT2BI-A	250 W x 1	560	300	431	18	-52 °C ≤ Ta ≤ 50 °C
PF40SnRT2BI-A	400 W x 1	560	300	431	18	RMRS
PF40MHnRT2BI-A	400 W x 1	560	300	431	18	RMRS
PF25SnRT2B-A	250 W x 1	560	300	431	18	-25 °C ≤ Ta ≤ 50 °C
PF25MHnRT2B-A	250 W x 1	560	300	431	18	-25 °C ≤ Ta ≤ 50 °C
PF40SnRT2B-A	400 W x 1	560	300	431	18	-25 °C ≤ Ta ≤ 50 °C
PF40MHnRT2B-A	400 W x 1	560	300	431	18	-25 °C ≤ Ta ≤ 50 °C

Option ----



**PF-SnRT2BI-A**

**Technical Drawing**

