

# Explosion Proof LED Ceiling Light

## LEAX-405dc



**Protection degree** IP67

**Explosion degree**

- Ex d IIC T6 Gb
- Standard : IEC60079-0 / IEC60079-1

**Materials**

- Body : Aluminium die casting
- Globe : Tempered glass

**Finish**

- Body : Yellow epoxy powder coat and stove enameled

**Light Source**

- Top View LED : 20 W

**Electrical**

- AC 220 ~ 240 V, 50/60 Hz
- Ambient Temperature : -25 °C ~ 50 °C

**Option**

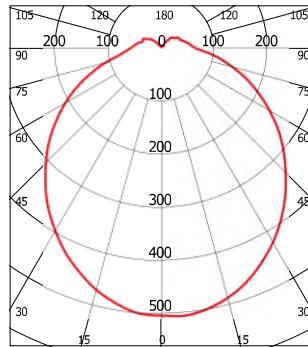
- AC 100 ~ 277 V, 50/60 Hz

**Warranty Period**

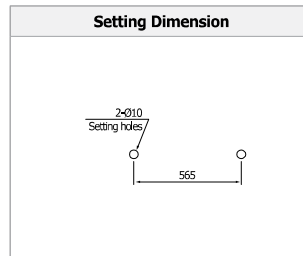
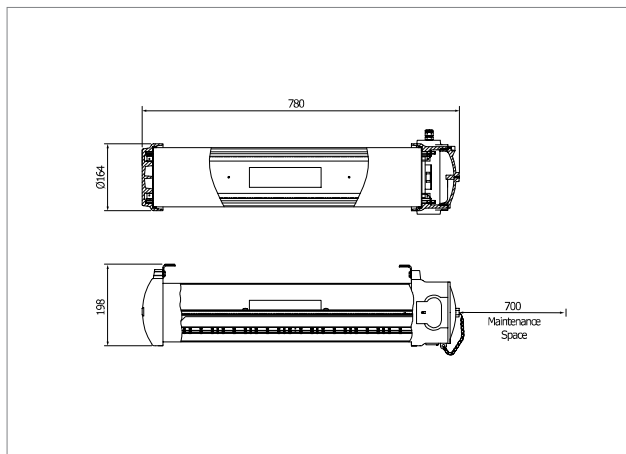
- 5 years



**Light Distribution Curve**



**Technical Drawing**



**Specification**

Model No.	Capacity	L(mm)	W(mm)	H(mm)	Weight(kg)	Remarks
LEAX-405dc	20 W	780	198	164	10.3	
» Equivalent to FL. lamp (18 W × 2)						

# Explosion Proof LED Ceiling Light

## LEAX-805dc



**Protection degree** IP67

**Explosion degree**

- Ex d IIC T6 Gb
- Standard : IEC60079-0 / IEC60079-1

**Materials**

- Body : Aluminium die casting
- Globe : Tempered glass

**Finish**

- Body : Yellow epoxy powder coat and stove enameled

**Light Source**

- Top View LED : 40 W

**Electrical**

- AC 220 ~ 240 V, 50/60 Hz
- Ambient Temperature : -25 °C ~ 50 °C

**Option**

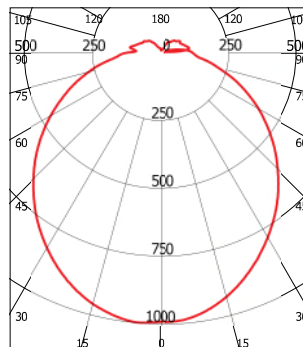
- AC 100 ~ 277 V, 50/60 Hz

**Warranty Period**

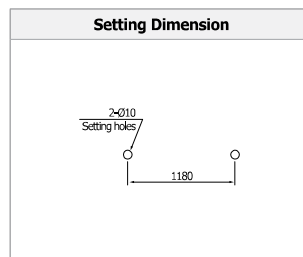
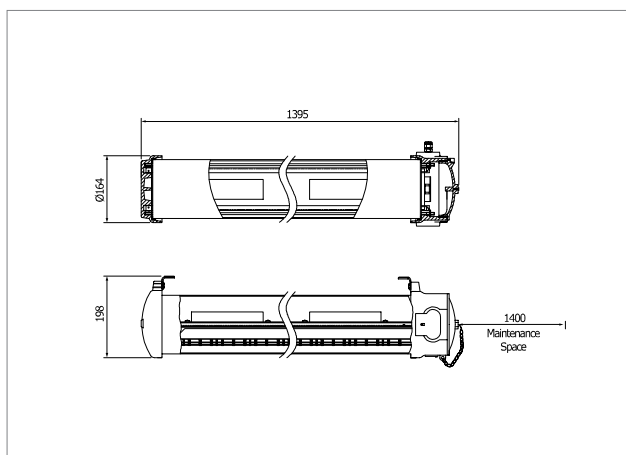
- 5 years



**Light Distribution Curve**



**Technical Drawing**



**Specification**

Model No.	Capacity	L(mm)	W(mm)	H(mm)	Weight(kg)	Remarks
LEAX-805dc	40 W	1395	198	164	15.1	» Equivalent to FL. lamp (36 W × 2)

# Explosion Proof LED Ceiling Light

## EXLED-125ed



**Protection degree** IP56 / IP65, IP66 / IP67

**Explosion degree**

- Ex de mb IIC T4 Gb (-25 °C ≤ Ta ≤ +50 °C)
- Standard : IEC 60079-0 / IEC 60079-1  
IEC 60079-7 / IEC 60079-18

**Materials**

- Body : Stainless steel
- Globe : Clear polycarbonate

**Finish**

- Body: White epoxy power coat and stove enamelled (Munsell No. N-9.3)

**Light Source**

- Top View LED : 25 W / 50 W
- LED module : Silicon Molding Type

**Equipment**

- Cable gland : M20, M25, NPT1/2", NPT3/4"

**Electrical**

- AC 220 ~ 240 V, 50/60 Hz
- Ambient Temperature : -25 °C ~ 50 °C

**Option**

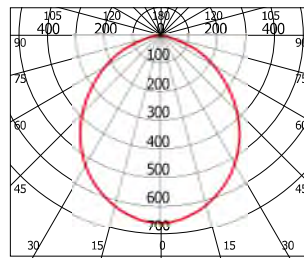
- AC 100 ~ 277 V, 50/60 Hz
- NVG compatible light mode  
\*NVG : Night Vision Goggle System

**Warranty Period**

- 5 years

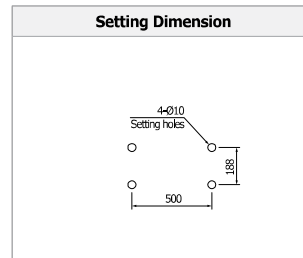
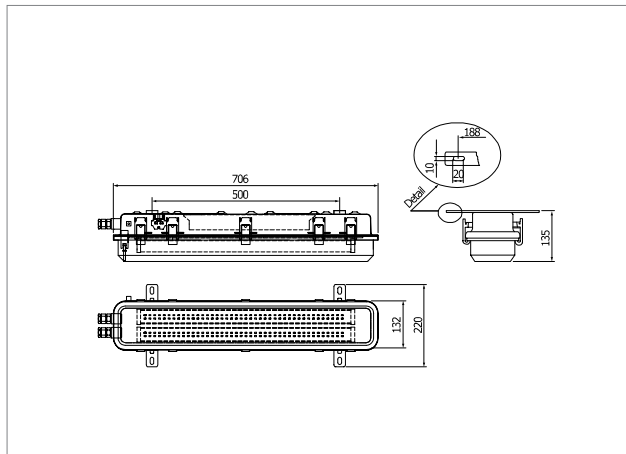


**Light Distribution Curve**



Explosion proof type LED module & Interlock switch

**Technical Drawing**



**Specification**

Model No.	Capacity	L(mm)	W(mm)	H(mm)	Weight(kg)	Remarks
EXLED-125ed	25 W	706	220	135	6.2	

# Explosion Proof LED Ceiling Light

## EXLED-225ed



**Protection degree** IP56 / IP65, IP66 / IP67

**Explosion degree**

- Ex de mb IIC T4 Gb (-25 °C ≤ Ta ≤ +50 °C)
- Standard : IEC 60079-0 / IEC 60079-1  
IEC 60079-7 / IEC 60079-18

**Materials**

- Body : Stainless steel
- Globe : Clear polycarbonate

**Finish**

- Body: White epoxy power coat and stove enamelled (Munsell No. N-9.3)

**Light Source**

- Top View LED : 25 W / 50 W
- LED module : Silicon Molding Type

**Equipment**

- Cable gland : M20, M25, NPT1/2", NPT3/4"

**Electrical**

- AC 220 ~ 240 V, 50/60 Hz
- Ambient Temperature : -25 °C ~ 50 °C

**Option**

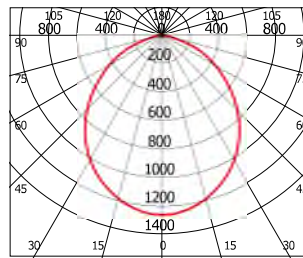
- AC 100 ~ 277 V, 50/60 Hz
- NVG compatible light mode  
\*NVG : Night Vision Goggle System

**Warranty Period**

- 5 years

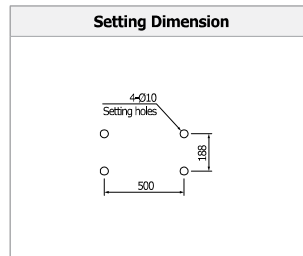
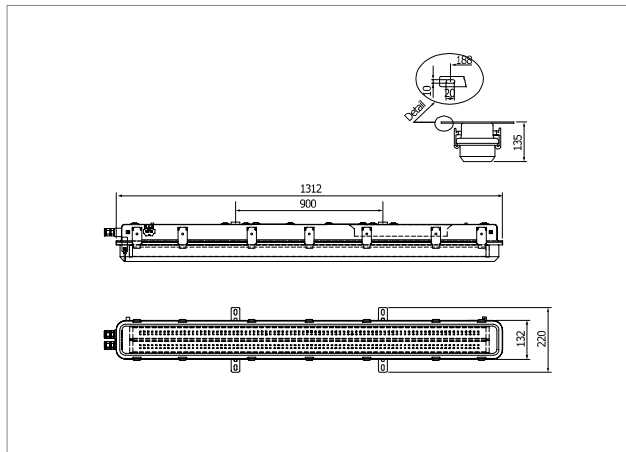


**Light Distribution Curve**



Explosion proof type LED module & Interlock switch

**Technical Drawing**



**Specification**

Model No.	Capacity	L(mm)	W(mm)	H(mm)	Weight(kg)	Remarks
EXLED-225ed	50 W	1312	220	135	9.5	

# Explosion Proof LED Ceiling Light (Battery back-up)

EXLED-125edBu



**Protection degree** IP56 / IP65, IP66 / IP67

**Explosion degree**

- Ex de mb IIC T4 Gb (-25 °C ≤ Ta ≤ +50 °C)
- Standard : IEC 60079-0 / IEC 60079-1  
IEC 60079-7 / IEC 60079-18

**Materials**

- Body : Stainless steel
- Globe : Clear polycarbonate

**Finish**

- Body : White epoxy power coat and stove enamelled (Munsell No. N-9.3)

**Light Source**

- Top View LED : 25 W
- LED module : Silicon Molding Type

**Equipment**

- Cable gland : M20, M25, NPT1/2", NPT3/4"

**Electrical**

- AC 220 ~ 240 V, 50/60 Hz
- Ambient Temperature : -25 °C ~ 50 °C
- Emergency duration : 3hours

**Option**

- AC 100 ~ 277 V, 50/60 Hz

**Luminous Flux**

- 2120 [lm] (Battery back-up : 530 [lm])

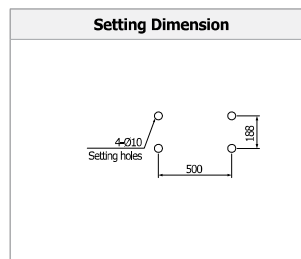
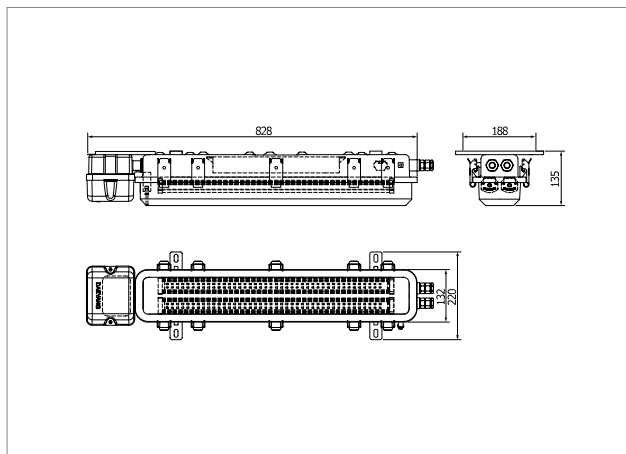
**Warranty Period**

- 5 years



Explosion proof type LED module & Interlock switch

**Technical Drawing**



**Specification**

Model No.	Capacity	L(mm)	W(mm)	H(mm)	Weight(kg)	Remarks
EXLED-125edBu	25 W	828	220	135	7.8	3hours

# Explosion Proof LED Ceiling Light (Battery back-up)

EXLED-225edBu



**Protection degree** IP56 / IP65, IP66 / IP67

**Explosion degree**

- Ex de mb IIC T4 Gb (-25 °C ≤ Ta ≤ +50 °C)
- Standard : IEC 60079-0 / IEC 60079-1  
IEC 60079-7 / IEC 60079-18

**Materials**

- Body : Stainless steel
- Globe : Clear polycarbonate

**Finish**

- Body : White epoxy power coat and stove enamelled (Munsell No. N-9.3)

**Light Source**

- Top View LED : 50 W
- LED module : Silicon Molding Type

**Equipment**

- Cable gland : M20, M25, NPT1/2", NPT3/4"

**Electrical**

- AC 220 ~ 240 V, 50/60 Hz
- Ambient Temperature : -25 °C ~ 50 °C
- Emergency duration : 1.5hours

**Option**

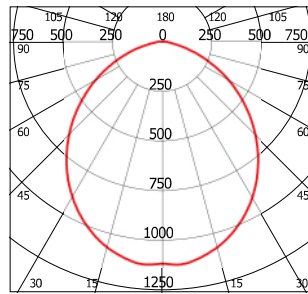
- AC 100 ~ 277 V, 50/60 Hz

**Warranty Period**

- 5 years



**Light Distribution Curve**

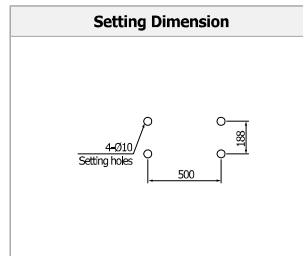
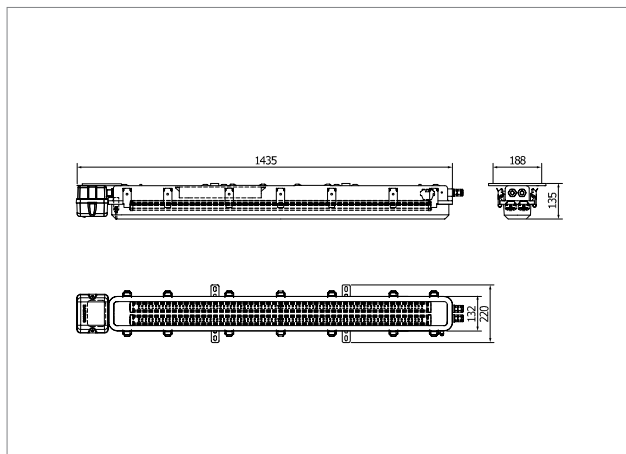


— : 0°



Explosion proof type LED module & Interlock switch

**Technical Drawing**



**Specification**

Model No.	Capacity	L(mm)	W(mm)	H(mm)	Weight(kg)	Remarks
EXLED-225edBu	50 W	1435	220	135	11.1	1.5hours

# Explosion Proof LED Ceiling Light

## EXLED-125edG



**Protection degree** IP66 / IP67

**Explosion degree**

- Ex bd eb mb op is IIC T4 Gb
- Ex tb op is IIIC T97°C Db (EXLED-125edg)
- Ex tb op is IIIC T104°C Db (EXLED-225edg)
- Ambient Temperature : -25 °C ~ 50 °C
- Standard : IEC 60079-0, IEC 60079-1, IEC 60079-7, IEC 60079-18, IEC 60079-28, IEC 60079-31

**Materials**

- Body : GRP (Glassfiber Reinforced Polyester)
- Globe : Clear polycarbonate

**Finish**

- Body & Bar & Globe : Natural
- Reflector : White powder coating

**Light Source**

- Top View LED : 25 W / 50 W
- LED module : Silicon Molding Type

**Equipment**

- Cable gland : M20, M25

**Electrical**

- AC 100 ~ 250 V, 50/60 Hz

**Option**

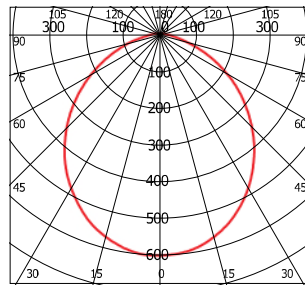
- Eye Bolt Bracket / 'C' Shape Bracket

**Warranty Period**

- 5 years

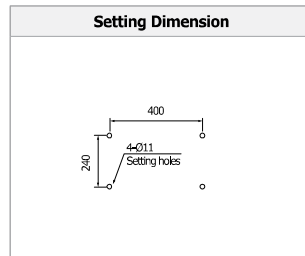
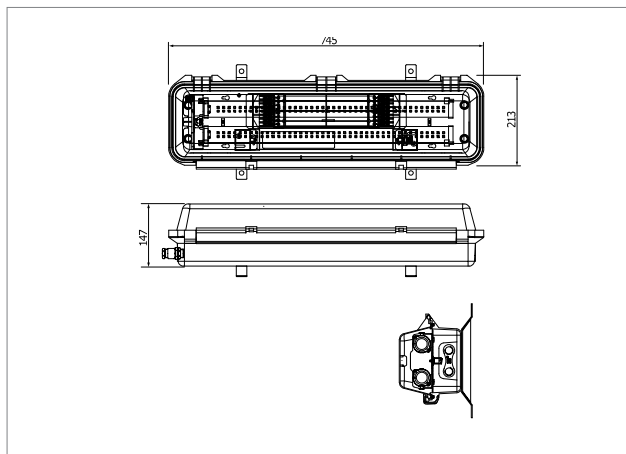


**Light Distribution Curve**



Explosion proof type LED module & Interlock switch

**Technical Drawing**



**Specification**

Model No.	Capacity	L(mm)	W(mm)	H(mm)	Weight(kg)	Remarks
EXLED-225edG	50 W	1350	213	147	11	

# Explosion Proof LED Ceiling Light

## EXLED-225edG

**Protection degree** IP66 / IP67

**Explosion degree**

- Ex bd eb mb op is IIC T4 Gb
- Ex tb op is IIIC T97°C Db (EXLED-125edg)
- Ex tb op is IIIC T104°C Db (EXLED-225edg)
- Ambient Temperature : -25 °C ~ 50 °C
- Standard : IEC 60079-0, IEC 60079-1, IEC 60079-7, IEC 60079-18, IEC 60079-28, IEC 60079-31

**Materials**

- Body : GRP (Glassfiber Reinforced Polyester)
- Globe : Clear polycarbonate

**Finish**

- Body & Bar & Globe : Natural
- Reflector : White powder coating

**Light Source**

- Top View LED : 25 W / 50 W
- LED module : Silicon Molding Type

**Equipment**

- Cable gland : M20, M25

**Electrical**

- AC 100 ~ 250 V, 50/60 Hz

**Option**

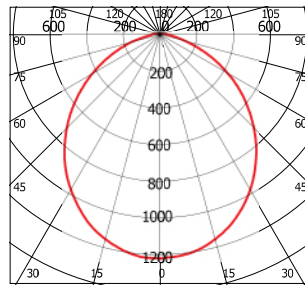
- Eye Bolt Bracket / 'C' Shape Bracket

**Warranty Period**

- 5 years

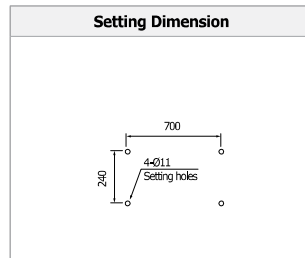
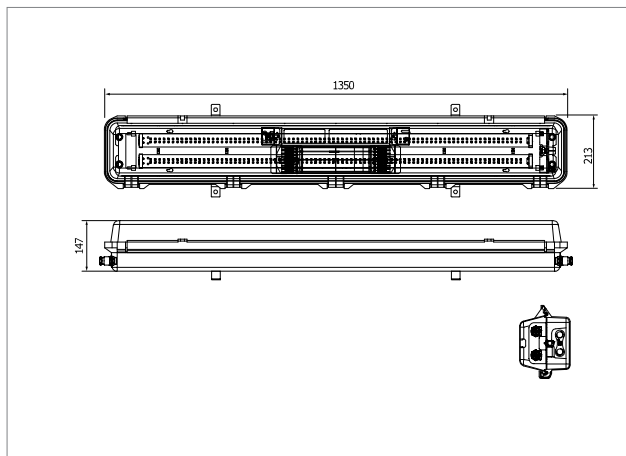


**Light Distribution Curve**



Explosion proof type LED module & Interlock switch

**Technical Drawing**



**Specification**

Model No.	Capacity	L(mm)	W(mm)	H(mm)	Weight(kg)	Remarks
EXLED-125edG	25 W	745	213	147	8	

# Explosion Proof LED Ceiling Light (Battery back-up)

EXLED-125edBuG



**Protection degree** IP66 / IP67

**Explosion degree**

- Ex de mb IIC T4 Gb (-25 °C ≤ Ta ≤ +50 °C)
- Standard : IEC 60079-0, IEC 60079-1, IEC 60079-7, IEC 60079-18

**Materials**

- Body : GRP (Glassfiber Reinforced Polyester)
- Globe : Clear polycarbonate

**Finish**

- Body & Bar & Globe : Natural
- Reflector : White powder coating

**Light Source**

- Top View LED : 25 W / 50 W
- LED module : Silicon Molding Type

**Equipment**

- Cable gland : M20, M25

**Electrical**

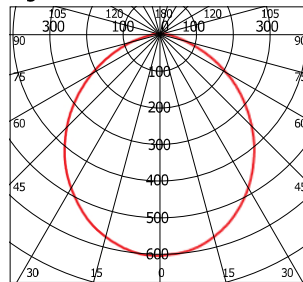
- AC 100 ~ 250 V, 50/60 Hz
- Ambient Temperature : -25 °C ~ 50 °C
- Emergency duration : 25 W (3hours), 50 W (1.5hours)

**Warranty Period**

- 5 years

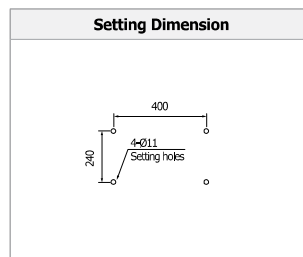
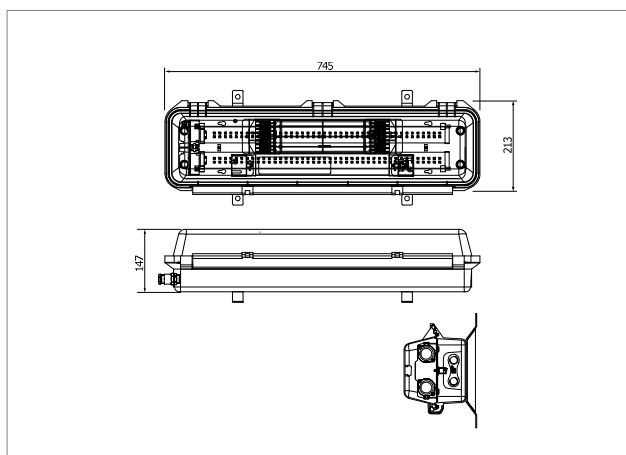


**Light Distribution Curve**



Explosion proof type LED module & Interlock switch

**Technical Drawing**



**Specification**

Model No.	Capacity	L(mm)	W(mm)	H(mm)	Weight(kg)	Remarks
EXLED-125edBuG	25 W	745	213	147	8	3hours

# Explosion Proof LED Ceiling Light (Battery back-up)

## EXLED-225edBuG

**Protection degree** IP66 / IP67

**Explosion degree**

- Ex de mb IIC T4 Gb (-25 °C ≤ Ta ≤ +50 °C)
- Standard : IEC 60079-0, IEC 60079-1, IEC 60079-7, IEC 60079-18

**Materials**

- Body : GRP (Glassfiber Reinforced Polyester)
- Globe : Clear polycarbonate

**Finish**

- Body & Bar & Globe : Natural
- Reflector : White powder coating

**Light Source**

- Top View LED : 25 W / 50 W
- LED module : Silicon Molding Type

**Equipment**

- Cable gland : M20, M25

**Electrical**

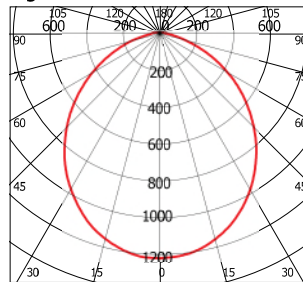
- AC 100 ~ 250 V, 50/60 Hz
- Ambient Temperature : -25 °C ~ 50 °C
- Emergency duration : 25 W (3hours), 50 W (1.5hours)

**Warranty Period**

- 5 years

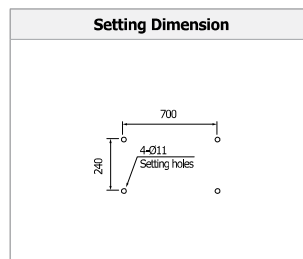
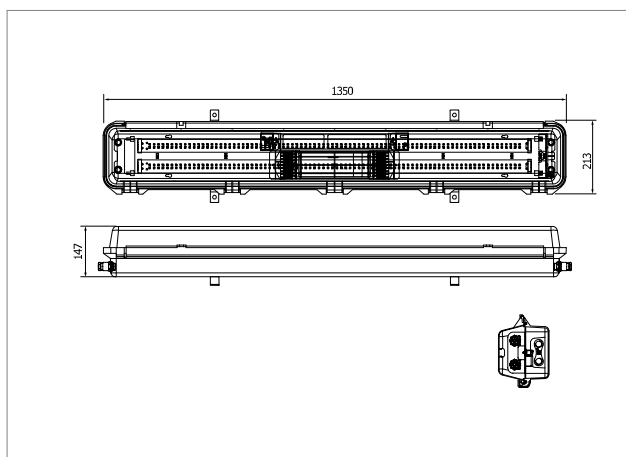


Light Distribution Curve



Explosion proof type LED module & Interlock switch

**Technical Drawing**



**Specification**

Model No.	Capacity	L(mm)	W(mm)	H(mm)	Weight(kg)	Remarks
EXLED-225edBuG	50 W	1350	213	147	11	1.5hours

# Explosion Proof LED Ceiling Light

## EXLED-614



**Protection degree** IP67

**Explosion degree**

- Ex d IIC T6 Gb (-45 °C ≤ Ta ≤ 50 °C)
- Standard : IEC 60079-0 / IEC 60079-1

**Materials**

- Body : Cast bronze / Brass
- Globe : Heat and impact resistant glass
- Guard : Stainless steel

**Finish**

- Body & Guard : Natural

**Light Source**

- Base : E26 / E27
- LED Bulb : 8 W / 12 W
- LED Module : 4 W / 7 W
- LED CCT range : 2700 K ~ 6500 K
- \*CCT : Correlated Color Temperature

**Electrical**

- AC 220 ~ 240 V, 50/60 Hz
- Ambient Temperature : -45 °C ~ 50 °C
- One and two cable glands : M20, M25, NPT1/2", NPT3/4"
- Shock absorbing construction

**Option**

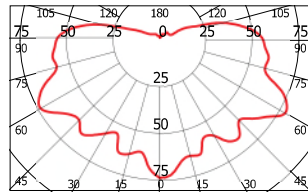
- AC 100 ~ 240 V, 50/60 Hz

**Warranty Period**

- 5 years

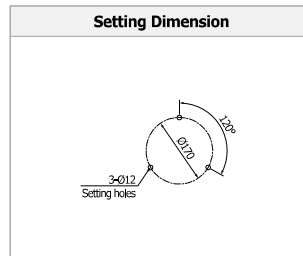
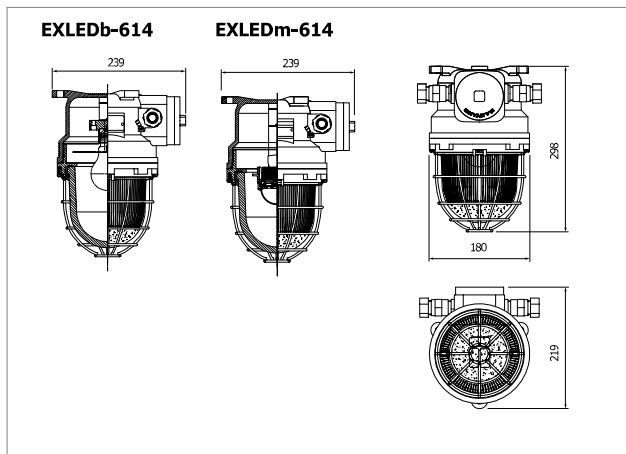


**Light Distribution Curve**



— : 0°

**Technical Drawing**



**Specification**

Model No.	Capacity	L(mm)	W(mm)	H(mm)	Weight(kg)	Remarks
EXLEDb-614	8 W, 12 W	239	219	298	12.1	LED Bulb
EXLEDm-614	4 W, 7 W	239	219	298	12.2	LED Module

# Explosion Proof LED Flood Light

## EXLED-50nR



**Protection degree** IP66

**Explosion protection**

- Ex nR IIC T6 Gc
- Standard : IEC 60079-0 / IEC 60079-15

**Materials**

- Body : Aluminium die casting
- Front Glass : Tempered Glass

**Finish**

- Body : Yellow epoxy powder coat and stove enamelled

**Light Source**

- Power LED : 50 W

**Equipment**

- Cable gland : M20, M25
- Vertical adjust (Up : 40 °, Down : 60°)

**Electrical**

- AC 220 ~ 240 V, 50/60 Hz
- Ambient Temperature : -25 °C ~ 50 °C

**Option**

- AC 100 ~ 277 V, 50/60 Hz

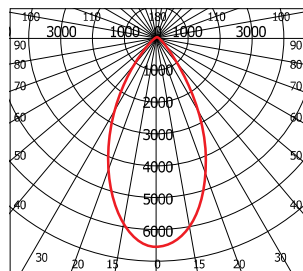
**Warranty Period**

- 5 years

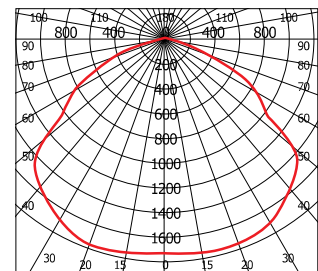


**Light Distribution Curve**

TIR Lens (60°)

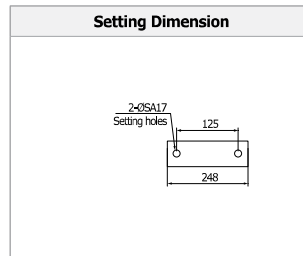
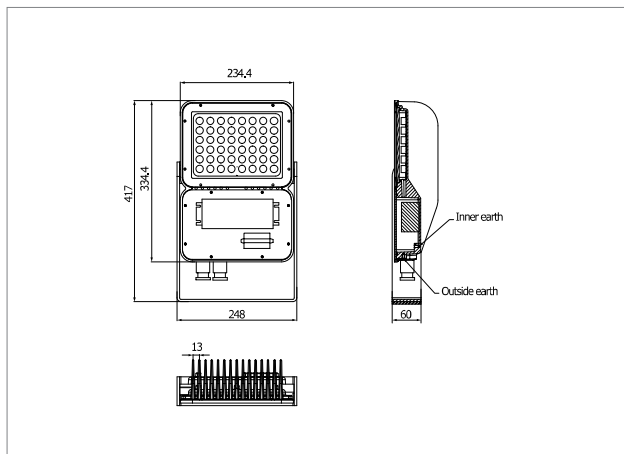


AC Direct Type & No Lens (120°)



— : 0°

**Technical Drawing**



**Specification**

Model No.	Capacity	L(mm)	W(mm)	H(mm)	Weight(kg)	Remarks
EXLED-50nR	50 W	417	234.4	90	8	

# Explosion Proof LED Flood Light

## EXLED-PF125AL



**Protection degree** IP66 / IP67

**Explosion protection**

- Ex eb mb IIC T4 Gb (-30 °C ≤ Ta ≤ +45 °C)
- Area classification : ZONE1
- Standard : IEC 60079-0 / IEC 60079-7 / IEC 60079-18 / IEC 60079-28

**Materials**

- Body : Copper - Free Aluminium
- Front Glass : Heat and impact resistant Glass

**Finish**

- Body : White epoxy powder coat and stove enamelled (Munsell No. N-9,3)

**Light Source**

- Power LED : 125W

**Equipment**

- Cable gland : M20, M25, NPT1/2", NPT3/4"
- Vertical adjust (Up : 40 °, Down : 60°)

**Electrical**

- AC 110 V, 230 V, 50/60 Hz
- Ambient Temperature : -30 °C ~ 55 °C

**Option**

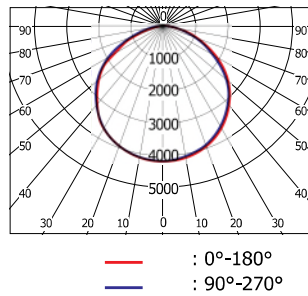
- NVG compatible light mode
- \*NVG : Night Vision Goggle System

**Warranty Period**

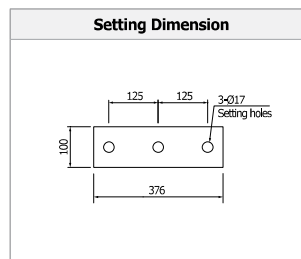
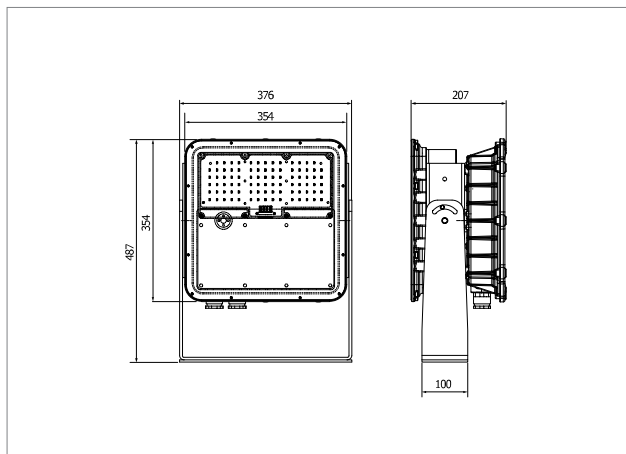
- 5 years



**Light Distribution Curve**



**Technical Drawing**



**Specification**

Model No.	Capacity	L(mm)	W(mm)	H(mm)	Weight(kg)	Remarks
EXLED-PF125AL	125 W	207	376	487	25	» Equivalent to 250 W sodium flood light

# Explosion Proof LED Flood Light

## EXLED-PF250AL



**Protection degree** IP66 / IP67

**Explosion protection**

- Ex eb mb IIC T4 Gb (-30 °C ≤ Ta ≤ +45 °C)
- Area classification : ZONE1
- Standard : IEC 60079-0 / IEC 60079-7 / IEC 60079-18 / IEC 60079-28

**Materials**

- Body : Copper - Free Aluminium
- Front Glass : Heat and impact resistant Glass

**Finish**

- Body : White epoxy powder coat and stove enamelled (Munsell No. N-9,3)

**Light Source**

- Power LED : 250W

**Equipment**

- Cable gland : M20, M25, NPT1/2", NPT3/4"
- Vertical adjust (Up : 40 °, Down : 60°)

**Electrical**

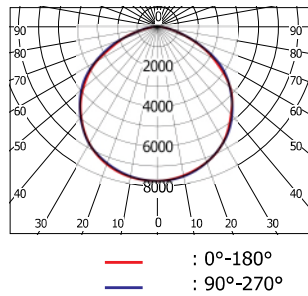
- AC 110 V, 230 V, 50/60 Hz
- Ambient Temperature : -30 °C ~ 55 °C

**Warranty Period**

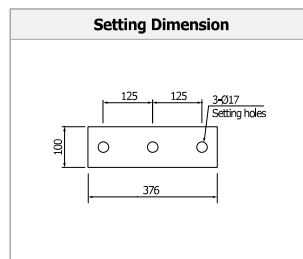
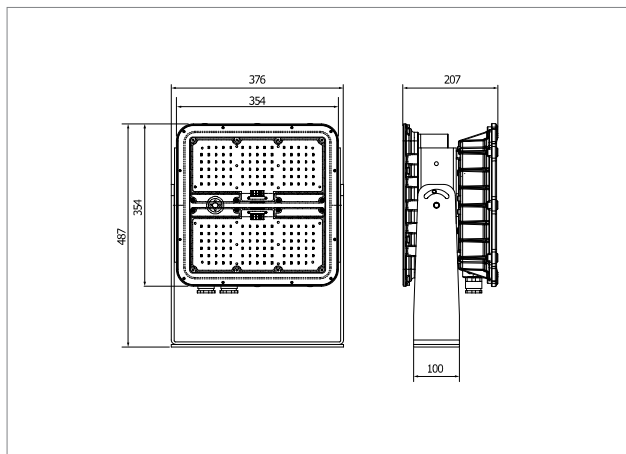
- 5 years



**Light Distribution Curve**



**Technical Drawing**



**Specification**

Model No.	Capacity	L(mm)	W(mm)	H(mm)	Weight(kg)	Remarks
EXLED-PF250AL	250 W	207	376	487	25	» Equivalent to 400 W sodium flood light

# Explosion Proof LED Flood Light

## EXLED-PF100AL



**Protection degree** IP 66 / IP 67

**Explosion protection**

- Ex eb mb IIC T4 Gb

**Materials**

- Heatsink : Aluminum alloy (A6063)
- Body frame & Arm : Stainless steel 316L
- Lens cover : Polycarbonate

**Finish**

- White epoxy powder coat and stove enamelled (Munsell No. N-9.3)

**Light Source**

- Power consumption : 100 W

**Equipment**

- Ambient Temperature : -25 °C ~ 45 °C
- Luminous Efficacy : 130 lm/W (Beam angle : 60 °)

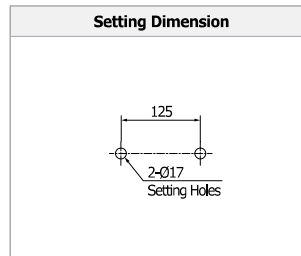
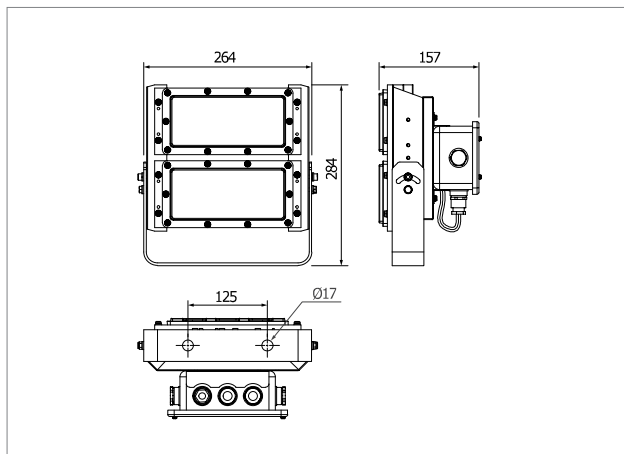
**Electrical**

- AC 220 ~ 240 V, 50/60 Hz

**Warranty Period** ▪ 5 years



**Technical Drawing**



**Specification**

Model No.	Capacity	L(mm)	W(mm)	H(mm)	Weight(kg)	Remarks
EXLED-PF100AL	100 W	264	157	284	-	

# Explosion Proof LED Flood Light

## EXLED-PF150AL



**Protection degree** IP 66 / IP 67

**Explosion protection**

- Ex db mb IIC T4/T5 GB

**Materials**

- Heatsink : Aluminum alloy (A6063)
- Body frame & Arm : Stainless steel 316L
- Lens cover : Polycarbonate

**Finish**

- White epoxy powder coat and stove enamelled (Munsell No. N-9.3)

**Light Source**

- Power consumption : 150 W

**Equipment**

- Ambient Temperature : -25 °C ~ 45 °C, -25 °C ~ 50 °C
- Luminous Efficacy : 130 lm/W (Beam angle : 60 °)

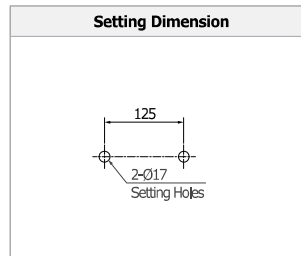
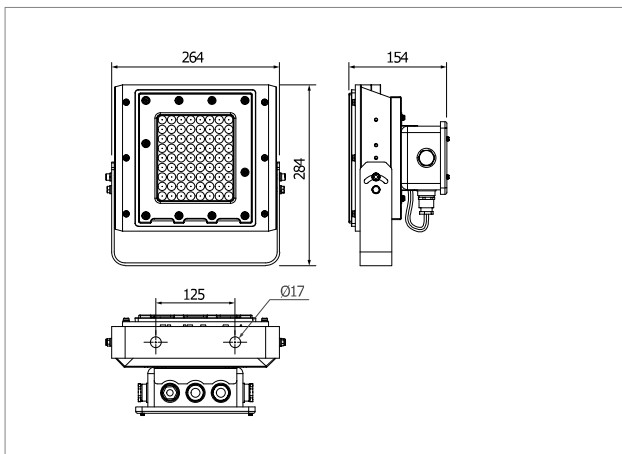
**Electrical**

- AC 220 ~ 240 V, 50/60 Hz

**Warranty Period** ▪ 5 years



**Technical Drawing**



**Specification**

Model No.	Capacity	L(mm)	W(mm)	H(mm)	Weight(kg)	Remarks
EXLED-PF150AL	150 W	264	154	284	-	

# Explosion Proof LED Flood Light

## EXLED-PF300AL

**Protection degree** IP 66 / IP 67

**Explosion protection**

- Ex db mb IIC T4/T5 GB

**Materials**

- Heatsink : Aluminum alloy (A6063)
- Body frame & Arm : Stainless steel 316L
- Lens cover : Polycarbonate

**Finish**

- White epoxy powder coat and stove enamelled (Munsell No. N-9.3)

**Light Source**

- Power consumption : 300 W

**Equipment**

- Ambient Temperature : -25 °C ~ 45 °C, -25 °C ~ 50 °C
- Luminous Efficacy : 130 lm/W (Beam angle : 60 °)

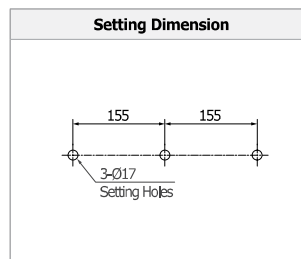
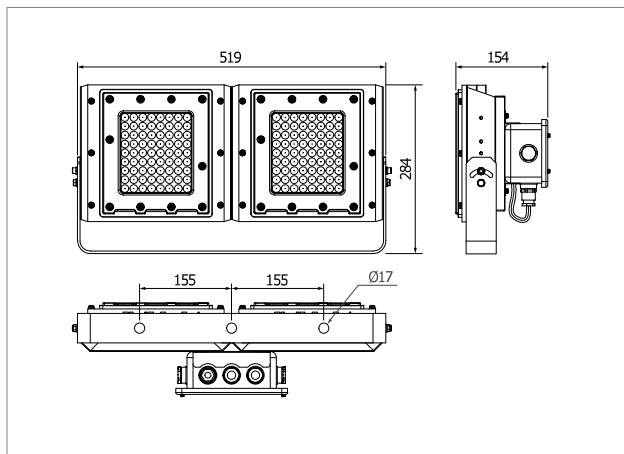
**Electrical**

- AC 220 ~ 240 V, 50/60 Hz

**Warranty Period** ▪ 5 years



**Technical Drawing**



**Specification**

Model No.	Capacity	L(mm)	W(mm)	H(mm)	Weight(kg)	Remarks
EXLED-PF300AL	300 W	519	154	284	-	

# Explosion Proof Extreme Low Temperature LED Flood Light

## EXLED-PF50LnR



**Protection degree** IP66 / IP67

**Explosion protection**

- Ex nR IIC T3 Gc
- Standard : IEC 60079-0 / IEC 60079-15

**Materials**

- Body : Stainless steel sheet deep drawn
- Front glass
  - Heat and impact resistant glass
  - Heating tempered glass
- Latch : Stainless steel

**Finish**

- Body : White epoxy powder coat and stove enamelled (Munsell No. N-9,3)

**Light Source**

- Power LED : 50W
- TIR Lens : 60°
- \*TIR : Total Internal Reflection

**Equipment**

- Cable gland : M20, M25
- Vertical adjust (Up : 90°, Down : 90°)

**Electrical**

- AC 220 V, 50/60 Hz
- Ambient Temperature : -25 °C ~ 55 °C



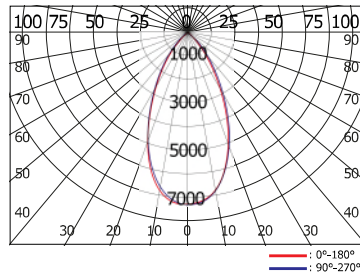
**Option**

- Winterization certification : RMRS (Russian Maritime Register of Shipping)
  - Ambient Temperature : -52 °C ~ 55 °C
- Heater capacity : 270 W

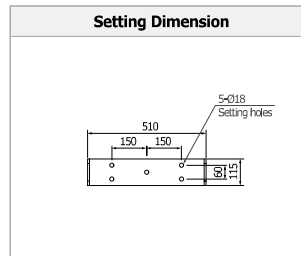
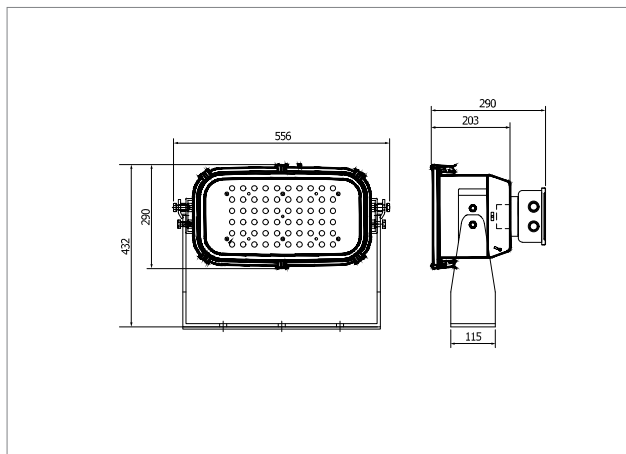
**Warranty Period**

- 5 years

**Light Distribution Curve**



**Technical Drawing**



**Specification**

Model No.	Capacity	L(mm)	W(mm)	H(mm)	Weight(kg)	Remarks
EXLED-PF50LnR	50 W	290	556	432	20	
EXLED-PF50LnR-I	50 W	290	556	432	21	RMRS

# Explosion Proof Extreme Low Temperature LED Flood Light

EXLED-PF550LnR



**Protection degree** IP 66 / IP 67

**Explosion protection**

- Ex nR IIC T3 Gc

**Materials**

- Body : Seawater resistant aluminum
- Arm : Stainless steel 316L
- Front Glass : Heating tempered glass

**Finish**

- White epoxy powder coat and stove enamelled (Munsell No. N-9.3)

**Light Source**

- Power consumption : 550 W
- Heating glass : 180 W

**Equipment**

- Luminous Efficacy : 120lm/W (Beam angle : 60 °)

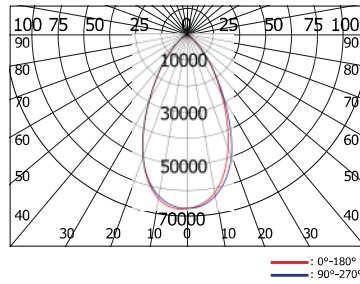
**Electrical**

- AC 220 V, 50/60 Hz
- Ambient Temperature : -52 °C ~ 55 °C

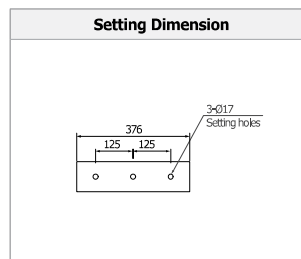
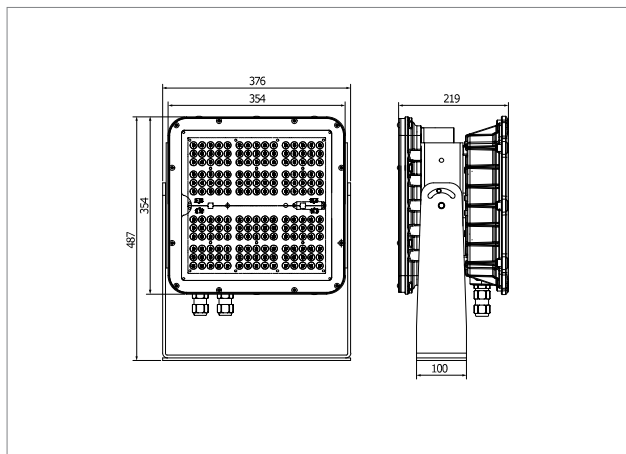
**Warranty Period** ▪ 5 years



**Light Distribution Curve**



**Technical Drawing**

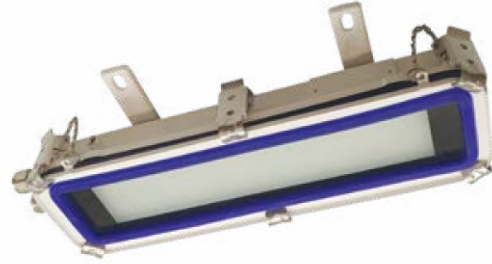


**Specification**

Model No.	Capacity	L(mm)	W(mm)	H(mm)	Weight(kg)	Remarks
EXLED-PF400LnR	400 W	219	376	487	30	
EXLED-PF550LnR	550 W	219	376	487	30	
EXLED-PF400LnR-I	400 W	219	376	487	31	RMRS
EXLED-PF550LnR-I	550 W	219	376	487	31	RMRS

# Explosion Proof Extreme Low Temperature LED Light

## EXLED-125WSCnR-I



**Protection degree** IP 66 / IP 67

**Explosion protection**

- Ex nR IIC T6 Gc (-52 °C ≤ Ta ≤ +55 °C)
- Standard : IEC 60079-0 / IEC 60079-15

**Materials**

- Body : Stainless steel
- Front Glass : Heating tempered glass

**Finish**

- Body: White epoxy powder coat and stove enamelled (Munsell No. N-9.3)

**Light Source**

- Top View LED : 22 W

**Equipment**

- Cable gland : M20, M25, NPT1/2", NPT3/4"

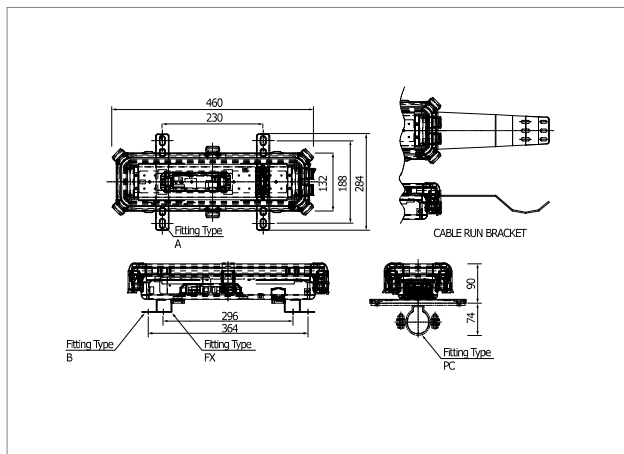
**Electrical**

- AC 220 V, 50/60 Hz
- Heating glass : 40 W

**Warranty Period** ▪ 5 years



**Technical Drawing**



Setting Dimension	
Fitting Type A	4-Ø10 Setting holes 230 x 188
Fitting Type B	2-Ø8 Setting holes 364
Fitting Type FX	2-Ø10 Setting holes 296
Fitting Type PC	2-Ø1A / 50A Pipe Clamp 230

**Specification**

Model No.	Capacity	L(mm)	W(mm)	H(mm)	Weight(kg)	Remarks
EXLED-125WSCnR-I	22 W	460	220	90	4	RMRS

# Explosion Proof LED Pendant Light

## EXLEDm-615

**Protection degree** IP66 / IP67 (IEC 60529)

**Explosion degree**

- Ex db eb mb op is IIC T5 Gb (-30 °C ≤ Ta ≤ 55 °C)
- Standard : IEC 60079-0 : 2017 Edition:7.0  
IEC 60079-1 : 2014-06 Edition:7.0  
IEC 60079-18 : 2014 Edition:4.0  
IEC 60079-28 : 2015 Edition:2.0  
IEC 60079-7 : 2015 Edition:5.0

**Materials**

- Body : Cast Brass
- DIFFUSER: Polycarbonate

**Finish**

- Body : Epoxy powder coat and stove enamelled (Clear)
- Guard (STS316) : Natural

**Light Source**

- Power Consumption: 7 W

**Electrical**

- AC 220 ~ 240 V, 50/60 Hz
- Ambient Temperature : -30 °C ~ 55 °C
- Two cable glands : M20, Wire armored Type / Ø10.5 ~ 15.5 mm

**Option**

- Guard (STS316) : Natural

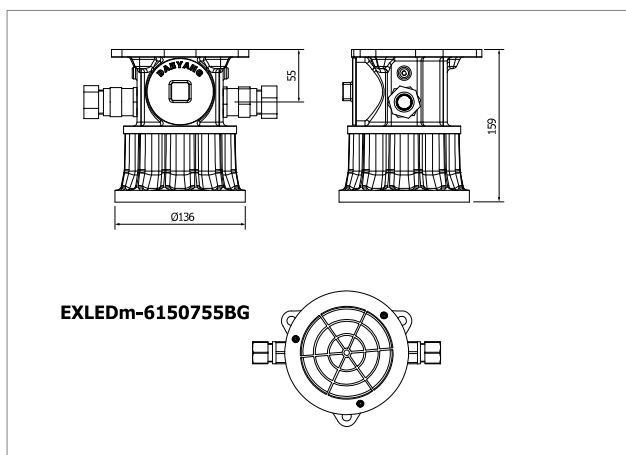
**Luminous Flux**

- 410 ~ 430 [lm]

**Warranty Period**

- 5 years

**Technical Drawing**

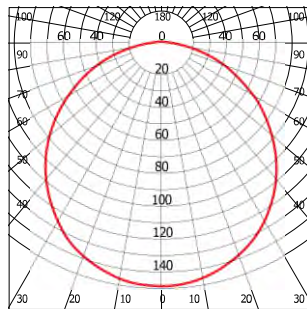


EXLEDm-6150755B

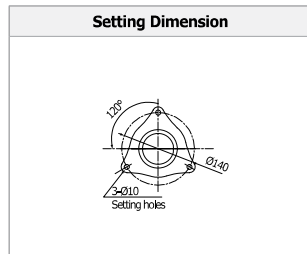
EXLEDm-6150755BG



**Light Distribution Curve**



— : 0°



**Specification**

Model No.	Capacity	L(mm)	W(mm)	H(mm)	Weight(kg)	Remarks
EXLEDm-6150755B	7 W	143.2	149	159	6.5	
EXLEDm-6150755BG	7 W	143.2	149	159	6.5	